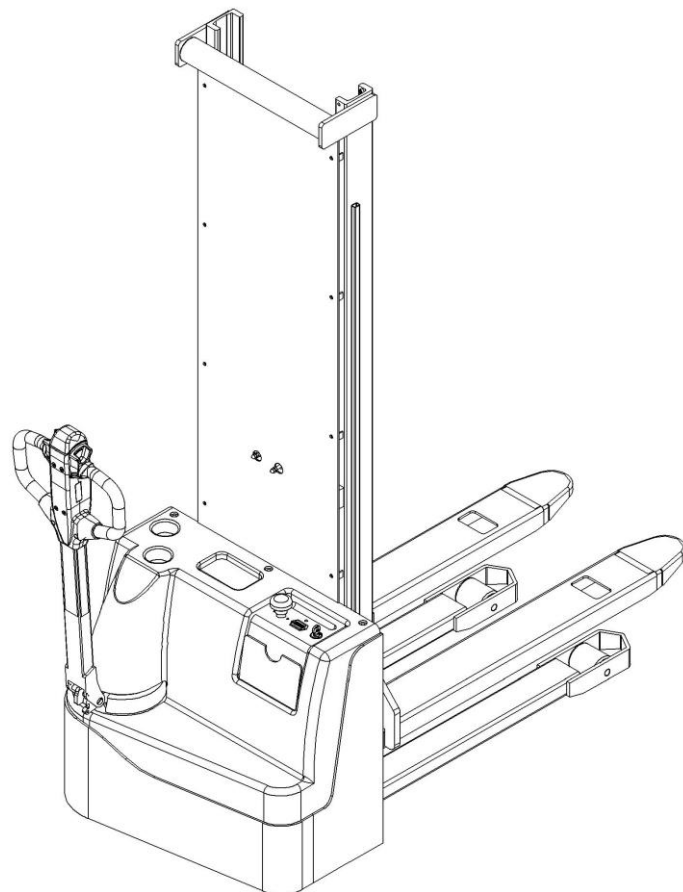


## Spare parts list

### Electric Stacker ECL10



Version 05/2015

From truck identification number:

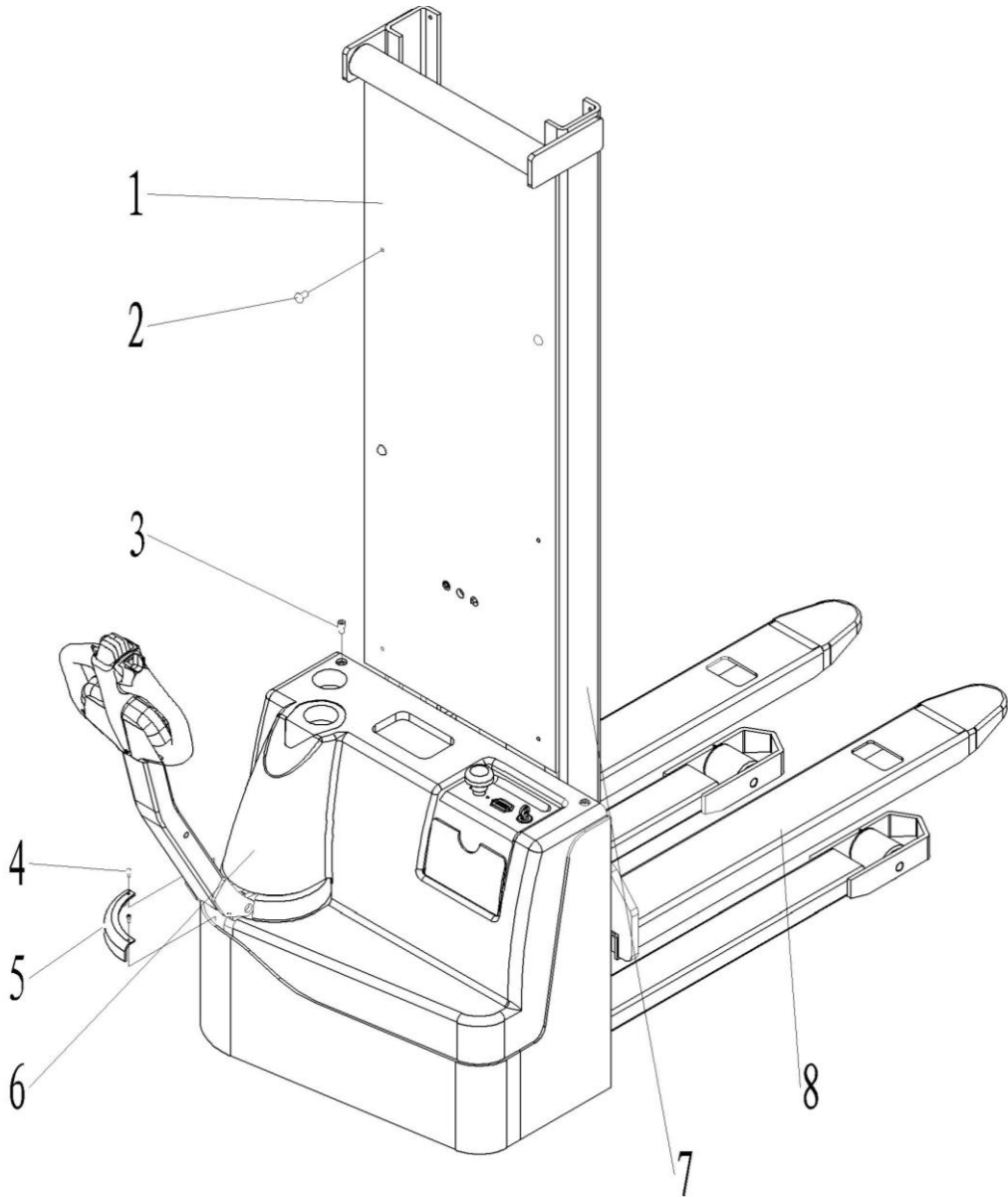
**30150600011**

ECL10-BPT-007-EN

# Contents

Fig. 1 Main components.....	2
Fig. 2 Fork.....	4
Fig. 3 Sideways castor.....	5
Fig. 4 Load roller.....	7
Fig. 5 Mast assembly.....	8
Fig. 6 Electronic control board assembly.....	10
Fig. 7 Main harness.....	12
Fig.8 Electric parts and components.....	14
Fig.9 Hydraulic system.....	17
Fig.10 Cylinder assembly.....	21
Fig.11 Pump system.....	22
Fig.12 Drive system.....	23
Fig.13 Indicator assembly.....	25
Fig.14 Handle arm assembly.....	26
Fig.15 Economic handle head.....	28
Fig.16 Drive wheel assembly.....	30
Fig.17 Sticker for EU.....	32
Fig.18 Sticker for US.....	33
Easy worn parts list.....	35

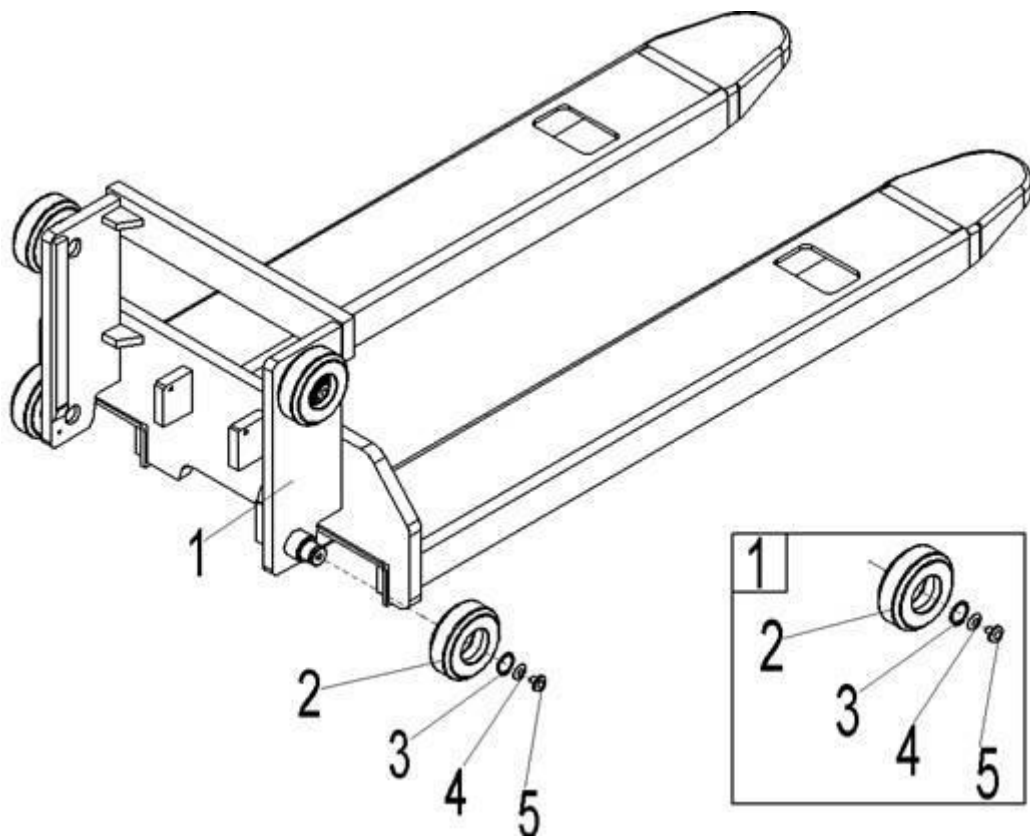
**Fig. 1 Main components**



**Fig.1 Main Components**

No.	Parts No.	Name	Qty.	Remarks	Standard
1	9000002061	Protective plate	1	Single mast 2000	
	9000002097			Single mast 1600	
	9000002119			Double mast 2900	
	9000009969			Double mast 3200	
	9000009980			Double mast 3500	
2	0000023555	Screw	8		GB/T70.2=ISO7380
3	1000423003	Screw	2		
4	0000023076	Screw	2		GB/T70.1=ISO4762
5	9000002060	Open plate	1		
6	9000002059	Cylinder cover	1		
7	9000002023	Chassis (incl. outer mast))	1	Single mast 570X2000	
	9000002092			Single mast 570X1600	
	9000005952			Single mast 685X2000	
	9000005959			Single mast 685X1600	
	9000002108			Double mast 570X2900	
	9000005964			Double mast 685X2900	
	9000009966			Double mast 570X3200	
	9000009988			Double mast 685X3200	
	9000009977			Double mast 570X3500	
	9000009990			Double mast 685X3500	
8	9000002009	Fork assembly	1	Single mast 570	
	9000005948			Single mast 685	
	9000002101			Double mast 570	
	9000005961		Double mast 685		

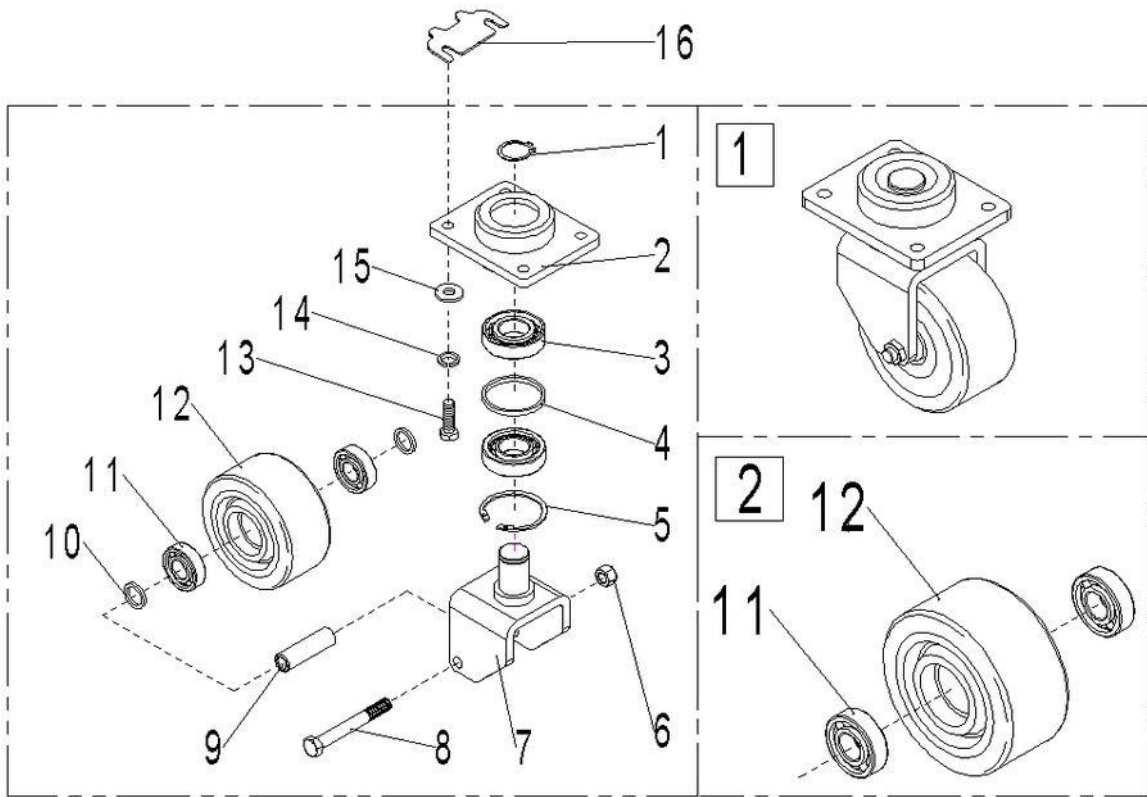
**Fig. 2 Fork**



**Fig.2 Fork**

No.	Parts No.	Name	Qty.	Remarks	Standard
1	9000002010	Welded fork	1	Single mast 570	
	9000005949		1	Single mast 685	
	9000002102		1	Double mast 570	
	9000005962		1	Double mast 685	
2	2530402002	Bearing	4		
3	0000026013	Circlip	4		GB/T894.1
4	2500525001	Washer	2		
5	2500502003	Side cushion	4		
1	9000010404	Wheel kits	4		

**Fig. 3 Sideways castor**

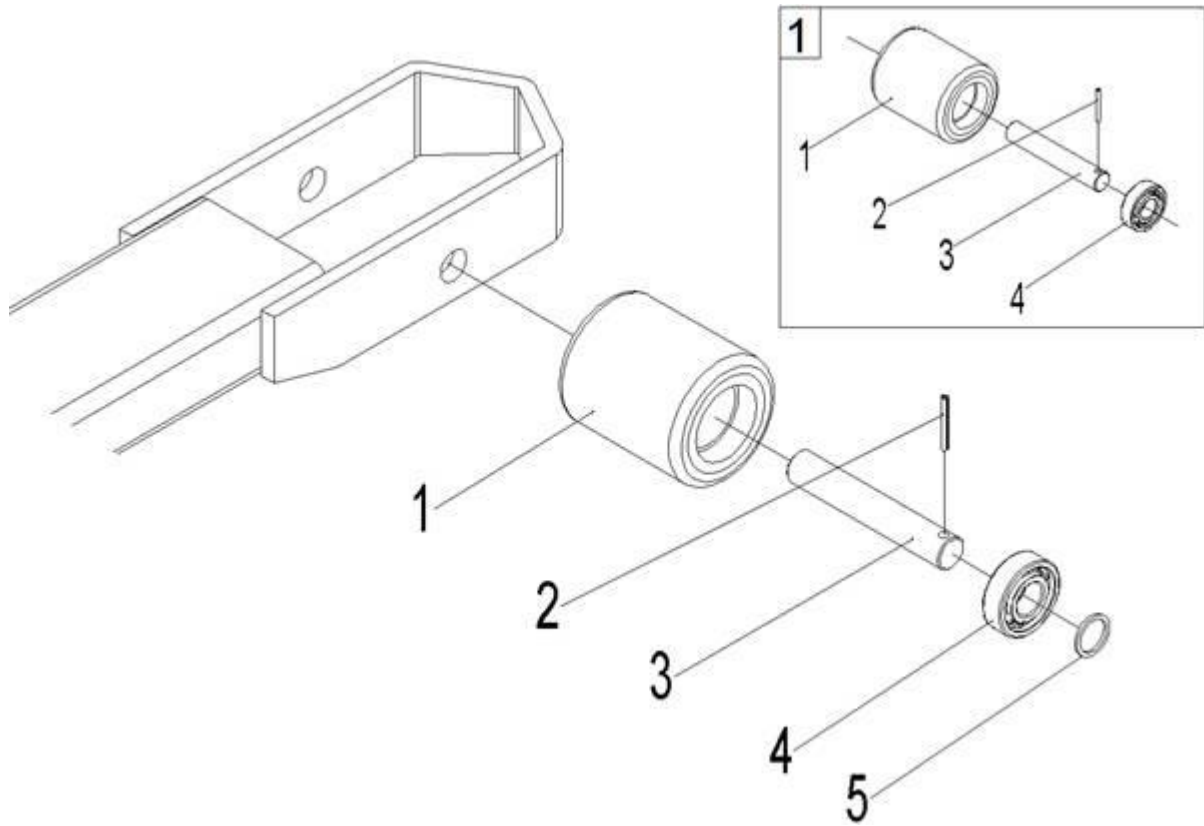


**Fig. 3 Sideways Castor**

No.	Parts No.	Name	Qty.	Remarks	Standard
1	0000026008	Circlip	1		GB/T894.1
2	2000405001	Bearing seat	1		
3	0000027013	Bearing	2		GB/T292
4	2000413001	Sleeve	1		
5	0000026010	Circlip	1		GB/T893.1
6	0000024015	Nut	1		GB/T889.1 =ISO7040
7	2000401007	Wheel frame	1		
8	0000023111	Bolt	1		GB/T5782 = ISO4014
9	2000413002	Sleeve	1		
10	1000525001	Washer	2		
11	0000027001	Bearing	2		GB/T276=ISO3290
12	2020416001	Wheel	1		
13	0000023029	Screw	4		GB/T70.1 =ISO4762
14	0000023006	Washer	4		GB/T93

15	0000025002	Washer	4		GB/T95
16	9000005936	Adjusting plate	4		
□	2040400001	Steering wheel assembly	1		
□	9000003638	Wheel kits	1		

**Fig. 4 Load roller**

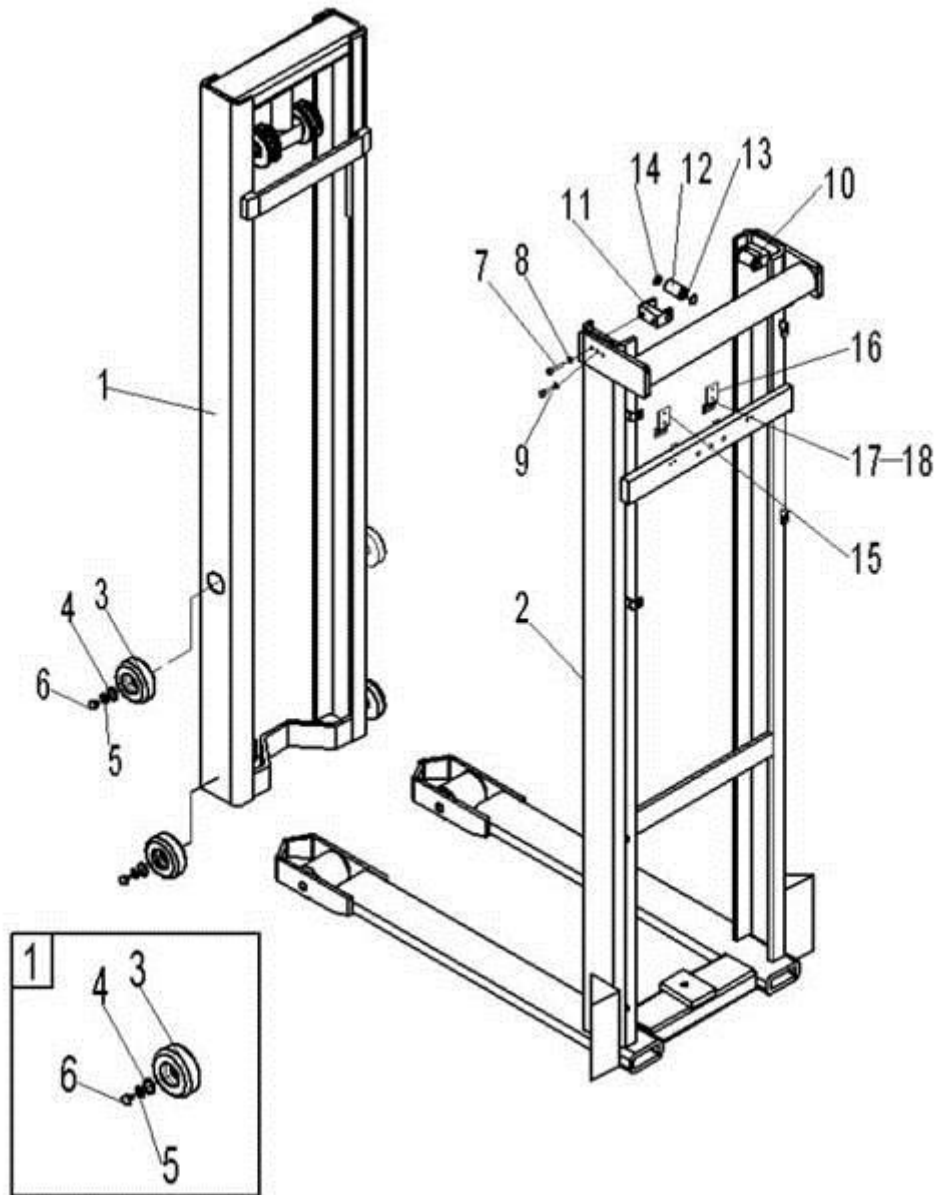


**Fig. 4 Load Wheel**

No.	Parts No.	Name	Qty.	Remarks	Standard
1	2000416003	Load wheel	1		
2	0000028055	Dowel pin	2		GB/T879.1=ISO8752
3	1030507004	Axle	1		
4	0000027001	Bearing	2		GB/T276=ISO3290
5	1000525001	Washer	2		
①	9000010405	Wheel kits	1		

Fig. 5 Mast assembly

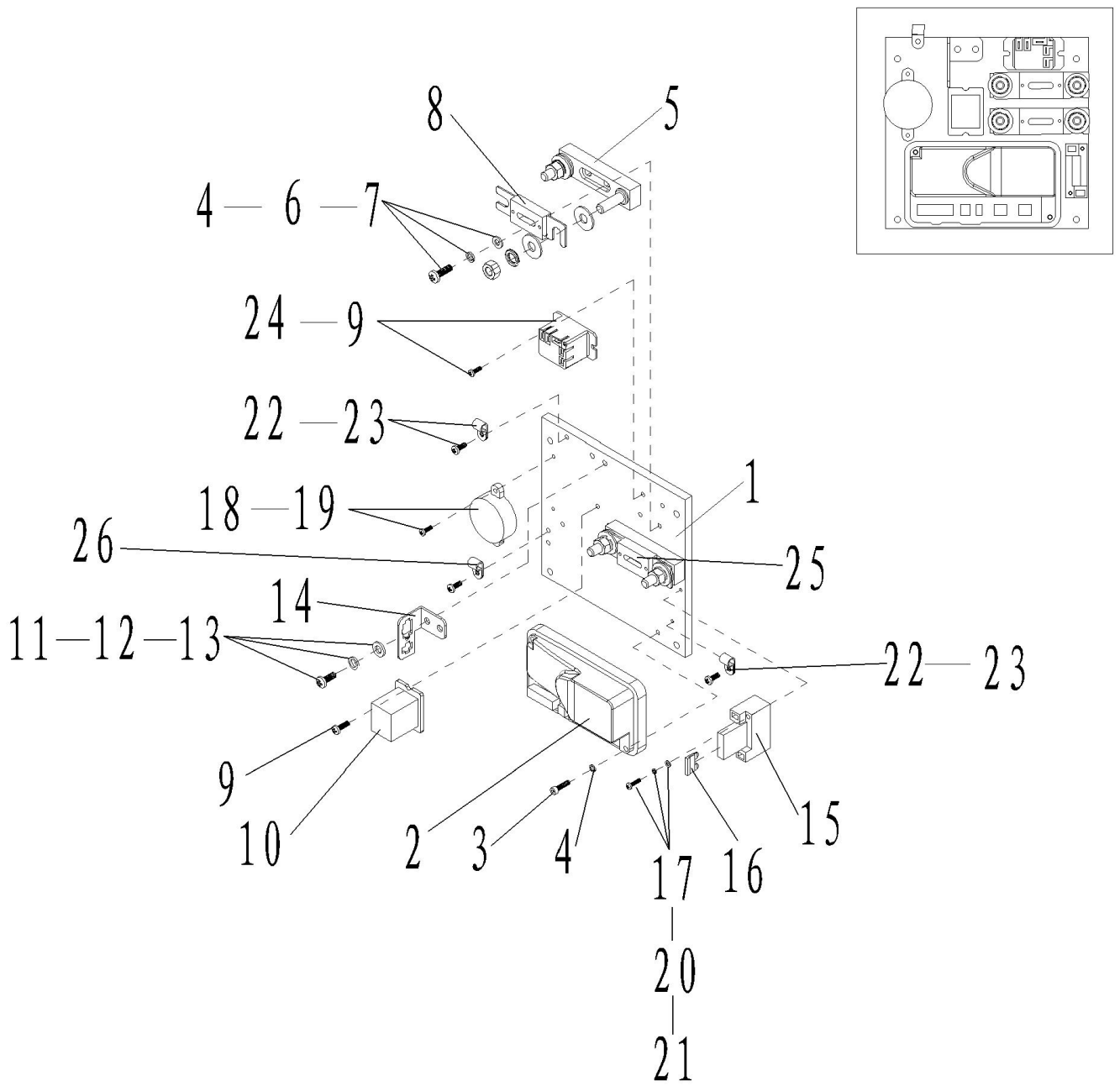
5.1 Double Mast



**Fig. 5.1 Double Mast**

No.	Parts No.	Name	Qty.	Remarks	Standard
1	9000002124	Mast	1	2900	
	9000009973			3200	
	9000009984			3500	
2	9000002108	Chassis	1	570X2900 Whole chassis, also see fig. 1	
	9000005964			685X2900	
	9000009966			570X3200	
	9000009988			685X3200	
	9000009977			570X3500	
	9000009990			685X3500	
3	2530402002	Bearing	4		
4	0000026013	Circlip	4		GB/T894.1
5	2500525001	Washer	2	Quality depends on situation	
6	2500502003	Side cushion	4		
7	0000023172	Screw	4		GB/T70.1=ISO4762
8	0000025001	Washer	4		GB/T93
9	0000023047	Screw	2		GB/T70.1=ISO4762
10	2530500002	Guide castor	2	Assembly	
11	2530504007	Wheel seat	2		
12	2500511002	Guide wheel	2		
13	2500507003	Hinge pin	2		
14	0000026034	Circlip	4		GB/T894.1
15	9000002120	Micro switch fixing plate	1		
16	9000005946	proximity switch fixing plate	1		
17	0000023555	Screw	4		GB/T70.2=ISO7380
18	0000023055	Washer	4		GB/T95
1	9000010404	Wheel kits	4		

**Fig. 6 Electronic control board assembly**

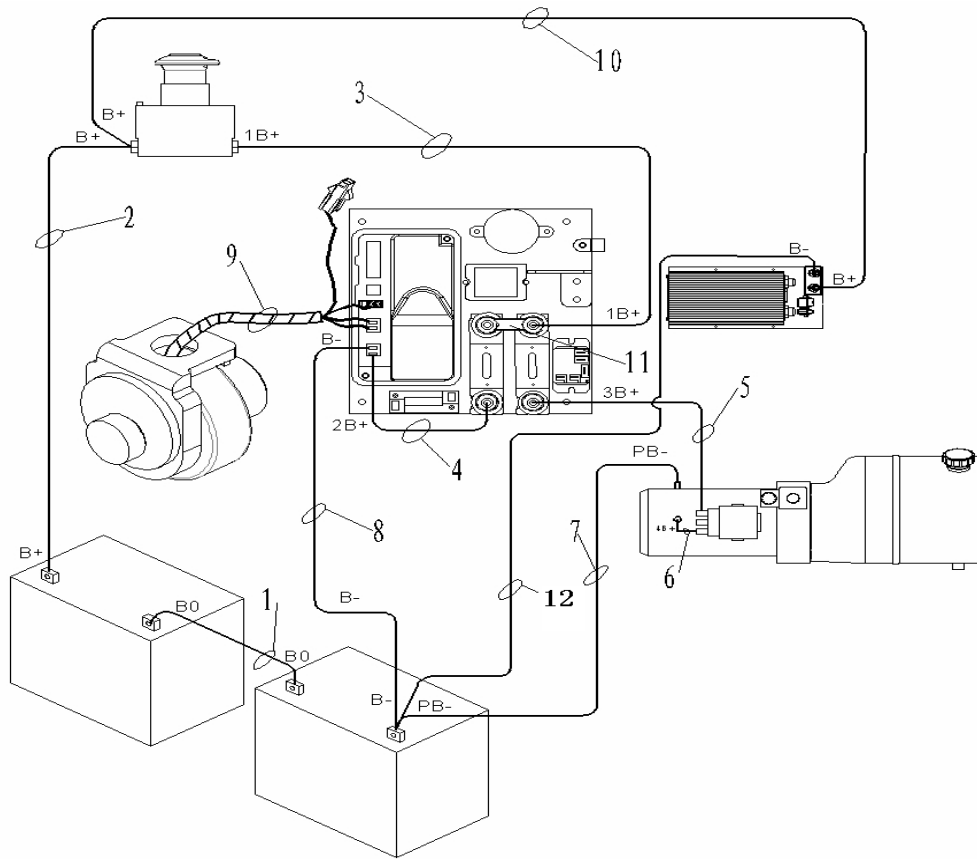


**Fig.6 Electronic Control Board Assembly**

No	Parts No.	Name	Qty	Remarks	Standard
1	900000206 6	Aluminum plate	1		
2	900000980 2	Controller CURTIS1212P-2501	1		
3	000002303 3	Screw	2		GB/T70.1=ISO476 2
4	000002501 8	Washer	8		GB/T93
5	100043400 7	Fuse seat SYY	2		
6	000002501 9	Washer	6		GB/T95
7	000002321 1	Screw	2		GB/T818= ISO7045
8	221043400 4	Fuse	1		
9	000002307 1	Screw	2		GB/T818= ISO7045
10	900000598 5	Temperature protection module BD-W-115-N	1		
11	000002351 6	Screw	2		GB/T818= ISO7045
12	000002501 4	Washer	2		GB/T95
13	000002501 5	Washer	2		GB/T93
14	100040400 5	Connector	1		
15	100043402 1	Fuse seat	1		
16	100043404 0	Plug fuse	1		
17	000002307 4	Screw	2		GB/T818= ISO7045
18	900000739 4	Electric buzzer	1		
19	000002364 8	Screw	2		GB/T818= ISO7045
20	000002500 3	Washer	2		GB/T93

21	000002502 6	Washer C	2		GB/T95
22	100040300 4	buckle UC-2	2		
23	000002330 7	Screw	4		GB/T818= ISO7045
24	900000232 2	Pump contactor ARP12F-1C	1		
25	100043402 0	Fuse	1		
26	900000232 5	Cable clamp UC-5	2		

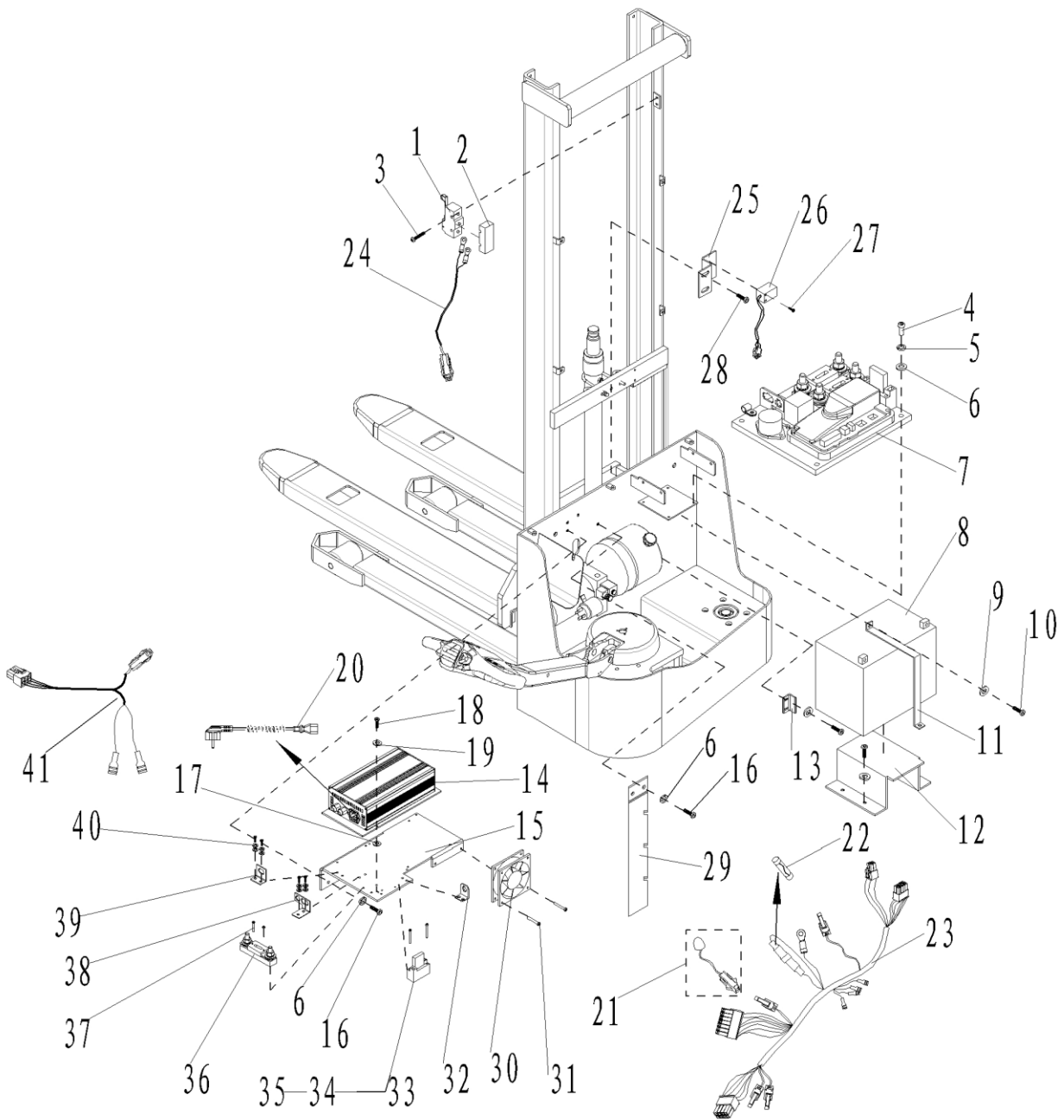
**Fig. 7 Main harness**



**Fig.7 Main Harness**

No.	Parts No.	Name	Qty.	Remarks	Standard
1	9000002409	B0 wire	1		
2	9000002410	B+ wire	1		
3	9000002411	1B+ wire	1		
4	9000002412	2B+ wire	1		
5	9000002413	3B+ wire	1		
6	9000002414	4B+ wire	1		
7	9000002415	PB- wire	1		
8	9000002416	B- wire	1		
9	9000002417	Driving wheel harness	1		
10	9000002418	Charger anode B+ wire	1		
11	1020434003	Copper bar 1	1		
12	9000008788	Charger B- wire	1	New added	

**Fig.8 Electric parts and components**



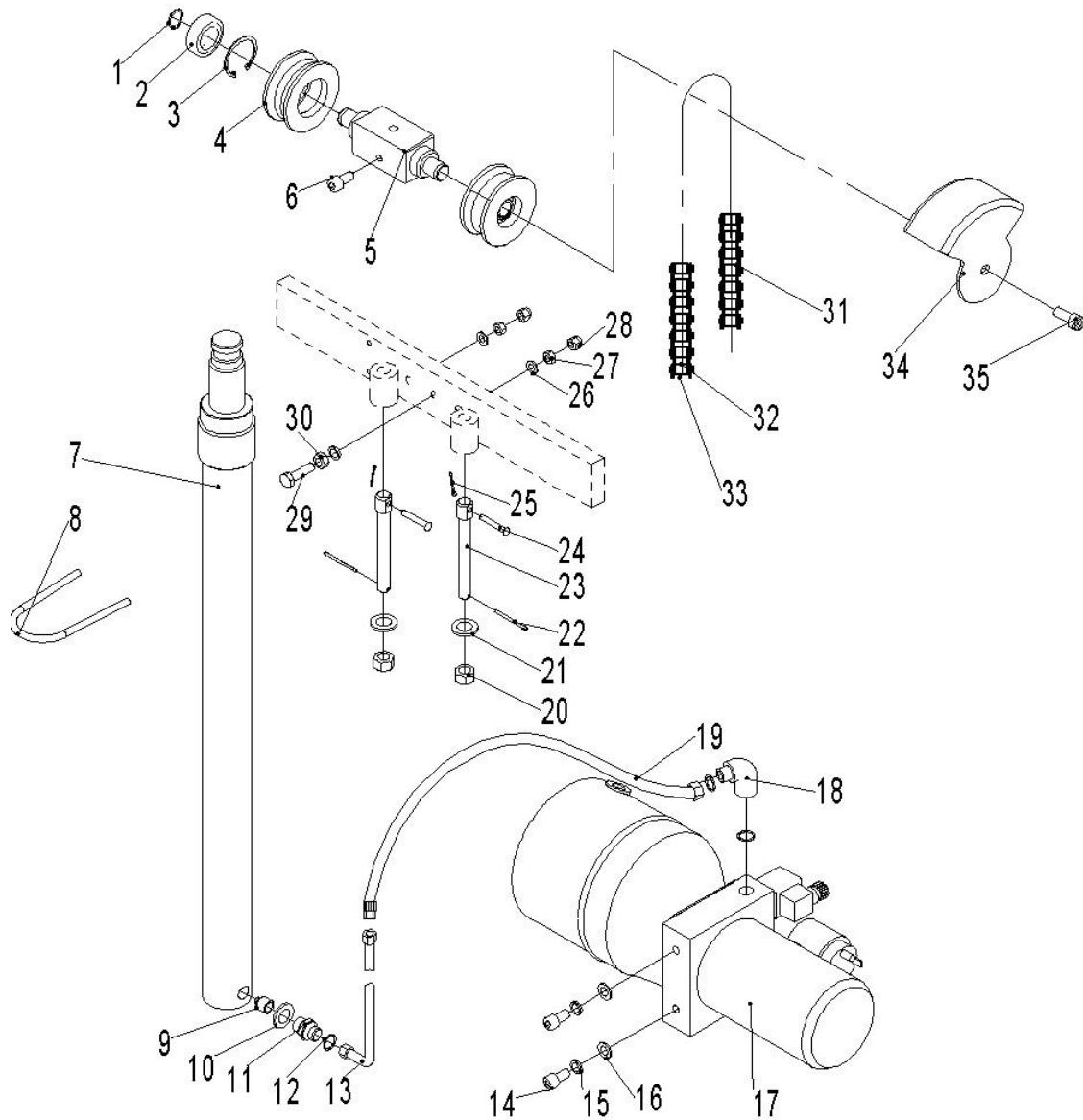
**Fig.8 Electric Parts and Components**

No.	Parts No.	Name	Qty.	Remarks	Standard
1	2040634001	Micro switch	2		
2	2040603002	Micro switch protective cover	2		
3	0000023033	Screw	4		GB/T70.1=ISO4762
4	0000023107	Screw	6		GB/T70.1=ISO4762
5	0000025015	Washer	18		GB/T93
6	0000025014	Washer	12		GB/T95
7	9000002065	Electronic control assembly	1		
8	1000432001	Battery 12V/85Ah	2	Optional	
	2100432001	Battery 12V/106Ah	2		
9	0000025011	Washer	8		GB/T95
10	0000023012	Screw	8		GB/T70.1=ISO4762
11	9000002062	Battery holder	1		
12	9000002063	Battery fixing seat	1	With106Ah battery	
13	9000002064	Battery fixing angle iron	2		
14	9000002068	Charger 24V/10A NCN24101P22	1	Input voltage: 220AC	
	9000008638	Charger 24V/10A QQE240-11CH59	1	Input voltage: 100-240AC	
15	9000008678	Battery holder	1	Change	
16	0000023076	Screw	6		GB/T70.1=ISO4762
17	1000418002	Pad	1		
18	0000023056	Screw	4		GB/T70.1=ISO4762
19	0000025019	Washer	4		GB/T95
20	1010434009	Spring cord 3*0.75(Australian)	1	Optional	
	1010434011	Spring cord 3*0.75(English)	1		
	1010434012	Spring cord 3*0.75(European)	1		
	1010434013	Spring cord 3*0.75(Italian)	1		
	1010434014	Spring cord 3*0.75(Sweden)	1		
	2530334005	Spring cord 3*0.75(American)	1		

	1010434023	Spring cord 3*0.75(Asian)	1		
21	9000002192	LED Fault indicator	1		
22	9000002324	Fuse tube 5	1		
23	9000002407	Control harness	1		
24	9000002408	Micro switch harness	1		
25	9000002079	Proximity switch fixing plate	1		
26	9000007427	Proximity switch NBN5-FT-E2	1	single Mast	
	9000007428	Proximity switch NBN5-FT-E2	1	double Mast	
27	0000023075	Screw	2		GB/T70.1=ISO4762
28	0000023042	Screw	2		GB/T70.1=ISO4762
29	9000005937	Cable holder	1		
30	1010434007	Fan ADDA DC12V	1		
31	0000023041	Screw	2		GB/T818= ISO7045
32	1010404005	Connector	1		
33	1000434021	Fuse seat BD	1		
34	1010434008	Fuse	1		
35	0000023074	Screw	2		GB/T818= ISO7045
36	1000434007	Fuse holder SY Y	1		
37	0000023211	Screw	2		GB/T818= ISO7045
38	1000404005	Connector holder	1		
39	1010404006	Connector holder	1		
40	0000023516	Screw	6		GB/T818= ISO7045
41	9000008787	Fan connecting cable	1		

**Fig.9 Hydraulic system**

**9.1 Single mast hydraulic system**

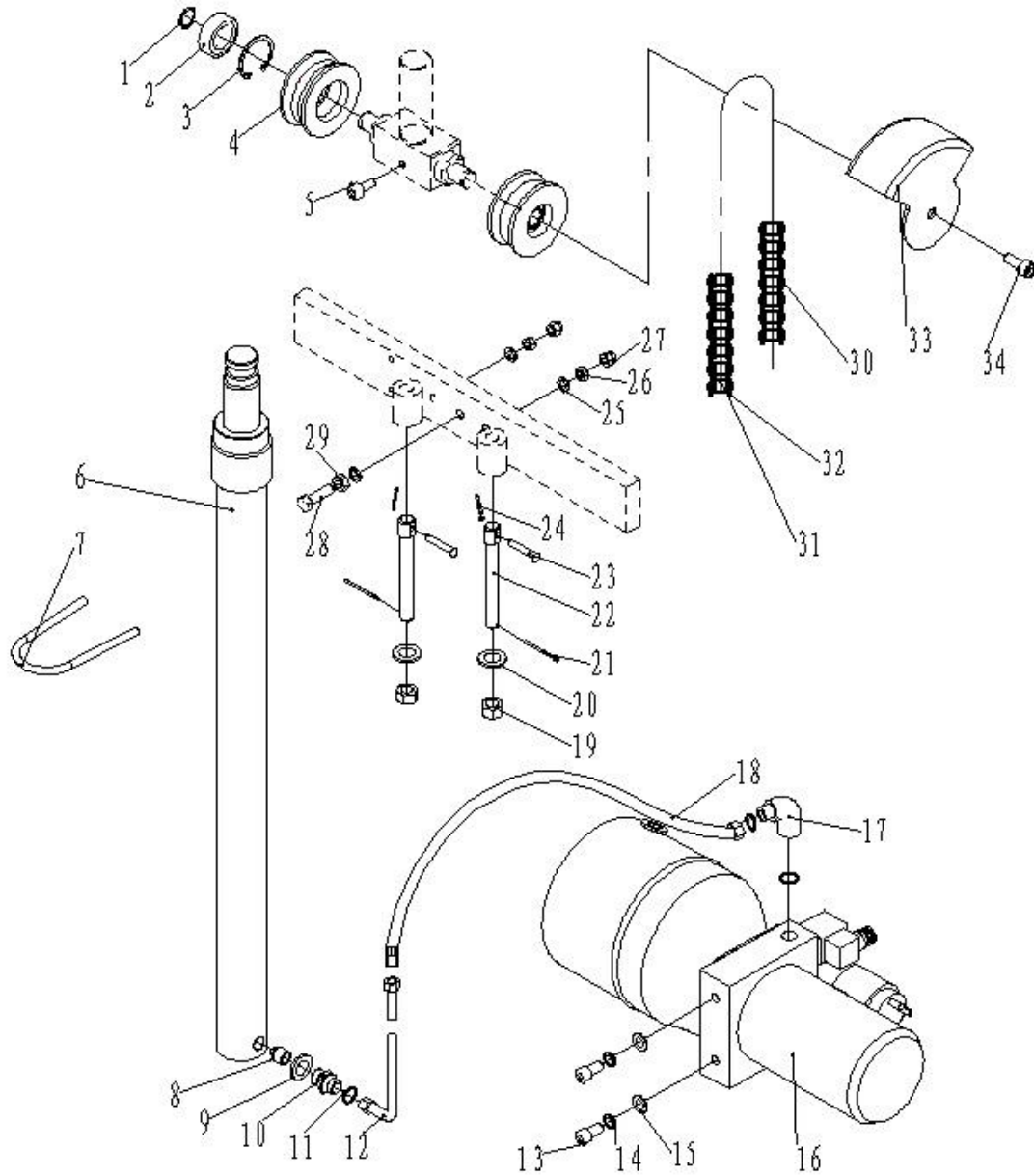


**Fig.9.1 Single Mast Hydraulic System**

No.	Parts No.	Name	Qty.	Remarks	Standard
1	0000026003	Circlip	2		GB/T894.1
2	0000027001	Bearing	2		GB/T276=ISO3290
3	0000026009	Circlip	2		GB/T893.1
4	2510510001	Chain wheel	2		
5	2500502005	Chain wheel seat	1		
6	0000023067	Screw	1		GB/T70.1=ISO4762
7	9000002081	Cylinder assembly	1	ECL1020	

	9000002099	Cylinder assembly	1	ECL1016	
8	2530202002	Cylinder hoop	1		
9	2000337001	Safety valve	1		
10	0000022051	Seal washer	1		
11	2000317002	Straight joint	1		
12	0000022011	O type rubber seal ring	3		GB/T3452.1=ISO3601
13	9000002082	High pressure steel tube	1		
14	0000023099	Screw	2		GB/T70.1=ISO4762
15	0000023006	Washer	3		GB/T93
16	0000025106	Washer	2		GB/T95
17	2130300002	Pump station 24V2.2KW2.0 delivery capacity	1		
18	0000017002	O type ring plane seal joint J	1		
19	9000002083	High pressure rubber tube	1		
20	0000024087	Nut	4		GB/T6170=ISO4032
21	0000025079	Washer	2		GB/T95
22	0000028011	Pin	2		GB/T91= ISO1234
23	2500502007	Chain pulling rod	2		
24	0000028110	Hinge pin	2		GB/T880
25	0000028092	Pin	2		GB/T91= ISO1234
26	0000025011	Washer	2		GB/T95
27	0000024086	Nut	2		GB/T6170=ISO4032
28	0000024092	Nut	2		GB/T923
29	0000024013	Nut	2		GB/T6170=ISO4032
30	0000023503	Bolt	1		GB/T5783=ISO4017
31	0000029301	Roller chain	2	ECL1020	GB/T1243
	0090000432	Roller chain	2	ECL1016	GB/T1243
32	0000028030	Hinge pin	2		GB/T882
33	0000028010	Pin	2		GB/T91= ISO1234
34	2530504001	Chain wheel	2		
35	0000023044	Screw	2		GB/T70.1=ISO4762

## 9.2 Double mast hydraulic system

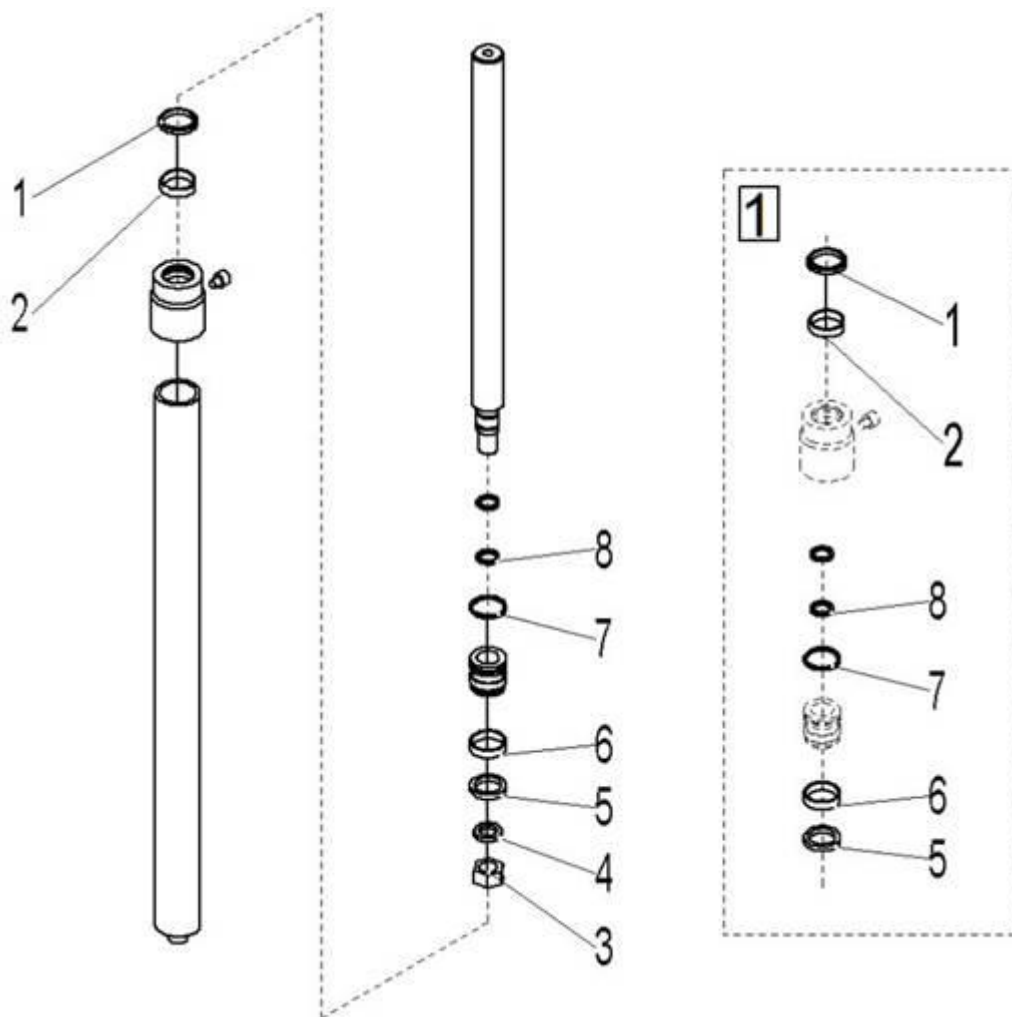


**Fig.9.2 Double Mast Hydraulic System**

No.	Parts No.	Name	Qty.	Remarks	Standard
1	0000026003	Circlip	2		GB/T894.1
2	0000027001	Bearing	2		GB/T276=ISO3290
3	0000026009	Circlip	2		GB/T893.1
4	2510510001	Chain wheel	2		
5	0000023067	Screw	1		GB/T70.1=ISO4762
6	9000002122	Cylinder assembly	1	ECL1029	
	9000009971			ECL1032	
	9000009982			ECL1035	

7	2530202002	Cylinder hoop	1		
8	2000337001	Safety valve assembly	1		
9	0000022051	Seal washer assembly	1		
10	2000317002	Straight joint	1		
11	0000022011	Rubber seal ring	3		GB/T3452.1=ISO3601
12	9000002082	High pressure steel tube	1		
13	0000023099	Screw	2		GB/T70.1=ISO4762
14	0000023006	Washer	3		GB/T93
15	0000025106	Washer	2		GB/T95
16	2130300002	Pump station 24V2.2KW2.0 delivery capacity	1		
17	0000017002	Joint JTJ8-G3/8-M16x1.5	1		
18	9000002082	High pressure rubber tube	1		
19	0000024087	Nut	2		GB/T6170=ISO4032
20	0000025079	Washer	2		GB/T95
21	0000028011	Pin	2		GB/T91= ISO1234
22	2500502007	Chain pulling rod	2		
23	0000028110	Hinge pin	2		GB/T880
24	0000028092	Pin	2		GB/T91= ISO1234
25	0000025011	Washer C level	2		GB/T95
26	0000024086	Nut	2		GB/T6170=ISO4032
27	0000024092	Nut	2		GB/T923
28	0000024013	Nut	2		GB/T6170=ISO4032
29	0000023503	Bolt	1		GB/T5783=ISO4017
30	0000029268	Roller chain	2	ECL1029	
	0090000550			ECL1032	
	0090000551			ECL1035	
31	0000028030	Hinge pin	2		GB/T882
32	0000028010	Pin	2		GB/T91= ISO1234
33	2530504001	Chain wheel	2		
34	0000023044	Screw	2		GB/T70.1=ISO4762

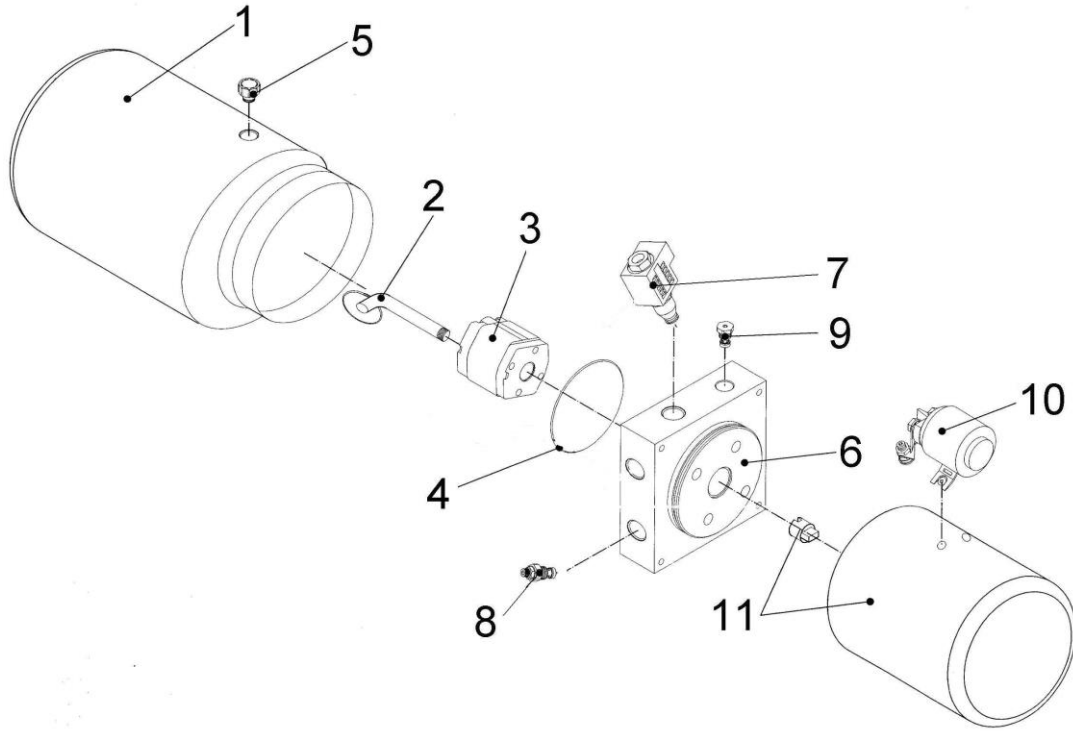
**Fig.10 Cylinder assembly**



**Fig.10 Cylinder assembly**

No.	Parts No.	Name	Qty.	Remarks	Standard
1	2000322001	Dust ring	1		
2	2000322002	Support ring for shaft	1		
3	0000024074	Nut	1		GB/T6171=ISO8673
4	0000025033	Washer	1		GB/T93
5	2010322001	Seal ring	1		
6	2000322003	Support ring for hole	1		
7	0000022013	O ring	1		GB1235
8	0000022014	O ring	2		GB1235
①	9000010407	Seal kits	1	Sealing parts pack	

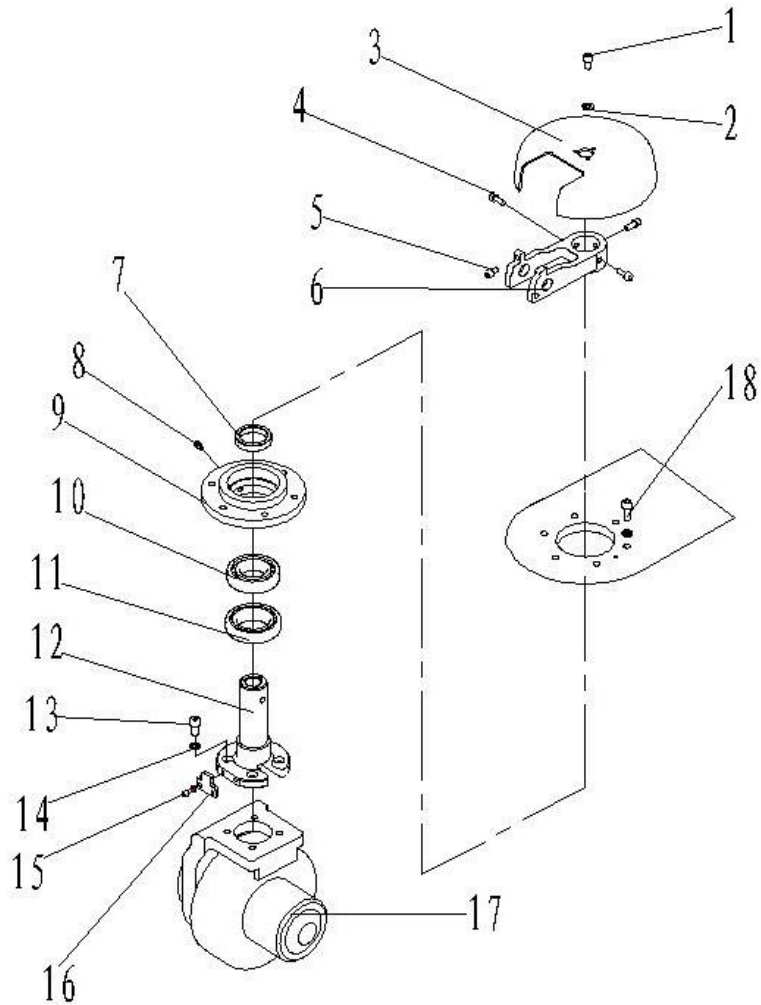
**Fig.11 Pump system**



**Fig.11 Pump System**

No.	Parts No.	Name	Qty.	Remarks	Standard
1	2130301001	Oil cylinder	1		
2	2500217001	Oil suction pipe	1		
3	2500237001	Gear pump	1		
4	2500222001	O ring	1		
5	2500237005	Refill cover	1		
6	2500215002	Center valve block	1		
7	2110234001	Solenoid valve	1		
8	2500235002	Overflow valve	1		
9	2500235003	Check valve	1		
10	2110234003	Contactor	1		
11	2110234002	Motor	1		

**Fig.12 Drive system**

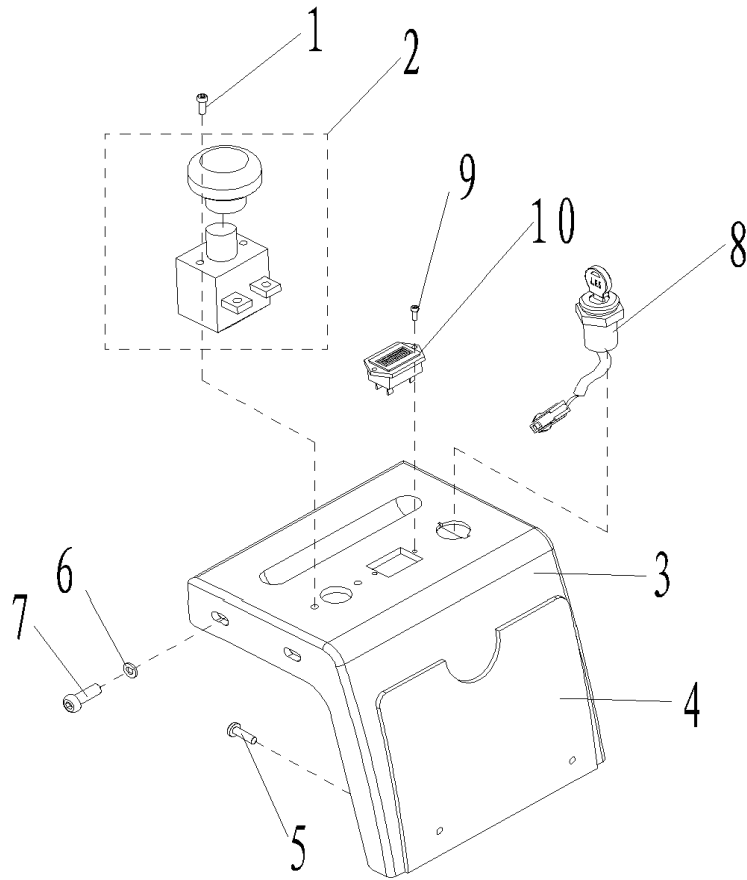


**Fig.12 Drive System**

No.	Parts No.	Name	Qty.	Remarks	Standard
1	0000023059	Screw	3		GB/T70.1=ISO4762
2	0000025019	Washer	3		GB/T95
3	9000002090	Driving wheel cover	1		
4	0000023044	Screw	3		GB/T70.1=ISO4762
5	0000023089	Screw	1		GB/T70.1=ISO4762
6	9000002089	Handle seat	1		
7	9000002087	Locating sleeve	1		
8	0000023042	Screw	4		GB/T70.1=ISO4762
9	9000002086	Bearing seat	1		
10	0000027048	Bearing	1		GB/T276=ISO3290

11	0090000038	Bearing	1		GB/T297
12	9000002085	Connecting flange	1		
13	0000023034	Screw	4		GB/T70.1=ISO4762
14	0000023006	Washer	10		GB/T93
15	0000025010	Washer	4		GB/T93
16	9000002088	Locating block	1		
17	9000001023	Drive wheel	1		
18	0000023088	Screw	6		GB/T70.1=ISO4762

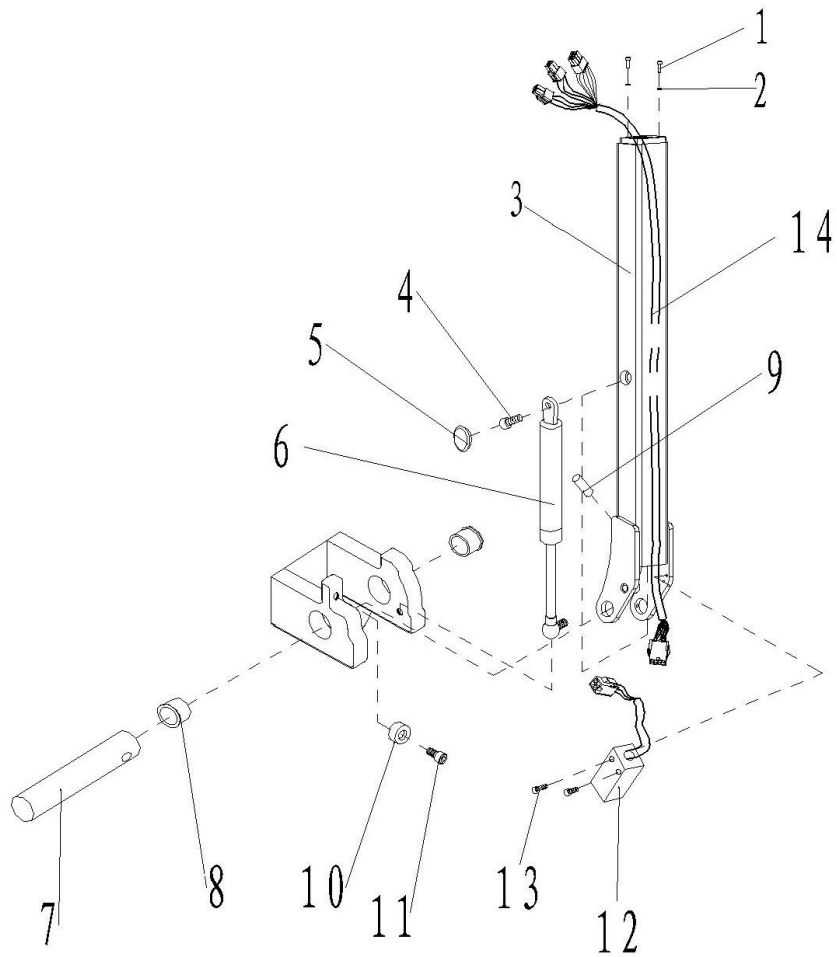
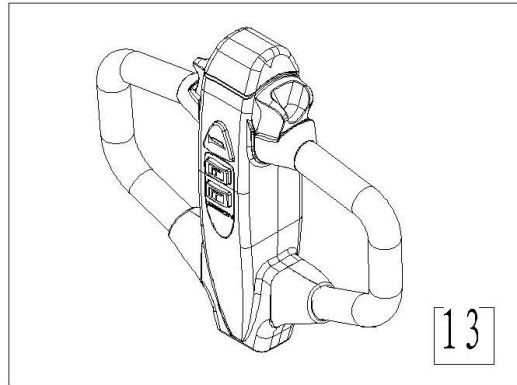
**Fig.13 Indicator assembly**



**Fig.13 Indicator Assembly**

No.	Parts No.	Name	Qty.	Remarks	Standard
1	0090000041	Screw	2		GB/T70.2=ISO7380
2	2240434001	DC power switch ZDK31-250	1		
3	9000002070	Instruments cover	1		
4	9000002071	Clipboard	1		
5	0000024002	Nut	4		GB/T6170=ISO4032
	0000023075	Screw	4		GB/T70.1=ISO4762
6	0000025011	Washer C level	4		GB/T95
7	0000023089	Screw	4		GB/T70.1=ISO4762
8	1010434002	Key switch LKS-101A	1		
9	1000123003	Screw	2		GB/T70.2=ISO7380
10	9000009801	Indicator	1		

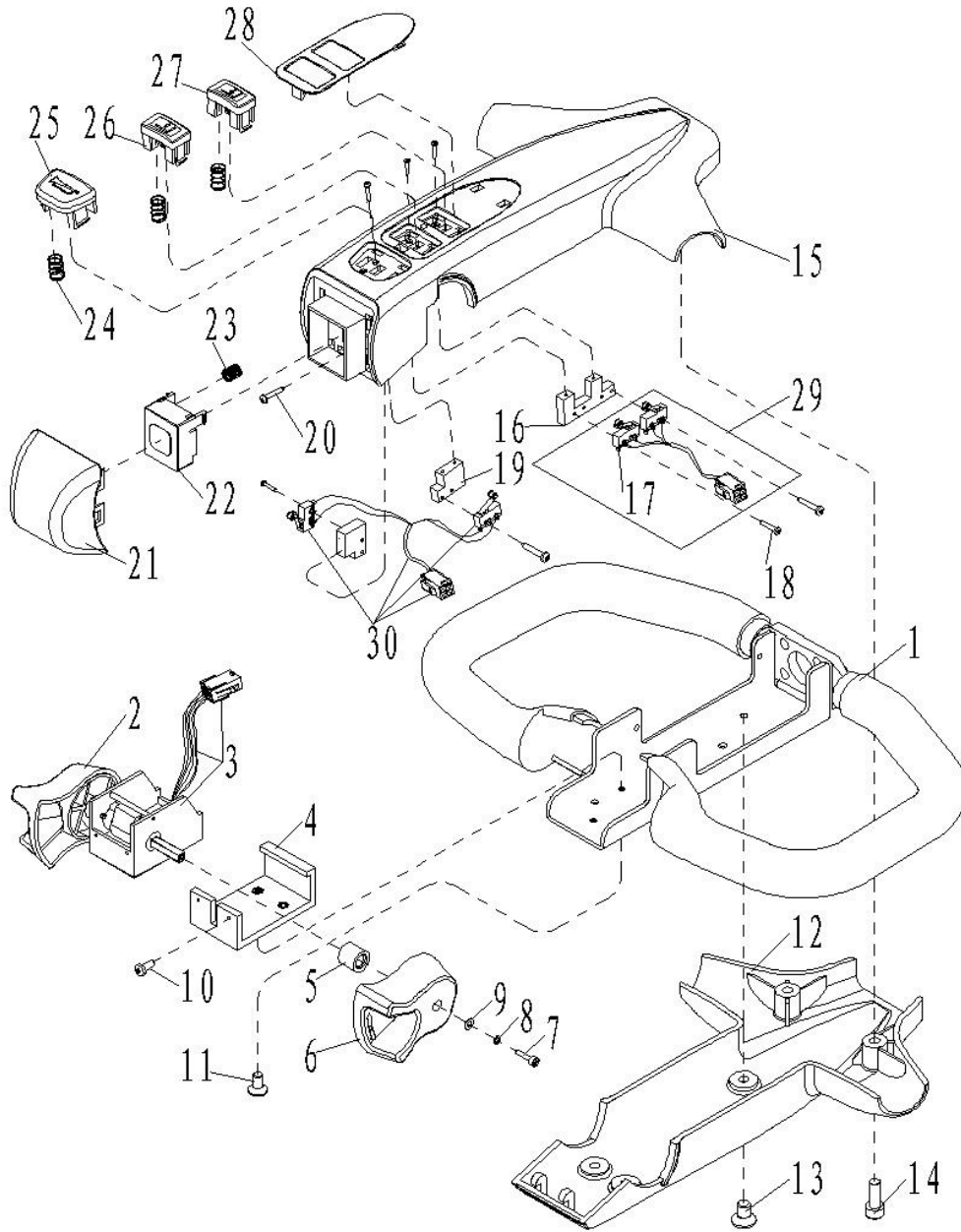
**Fig.14 Handle arm assembly**



**Fig.14 Handle Arm Assembly**

No.	Parts No.	Name	Qty.	Remarks	Standard
1	0000023061	Screw	4		GB/T70.1=ISO4762
2	0000025004	Washer	4		GB/T93
3	9000005940	Welded handle bar	1		
4	1000123001	Screw	1		
5	1030418001	Sleeve	1		
6	9000007398	Air spring	1	F=800N	
7	9000005945	Spindle	1		
8	0000013002	Bushing	2		
9	0000028163	Dowel pin	1		GB/T879.1=ISO8752
10	0000025004	Washer	1		GB/T93
11	0000023089	Screw	1		GB/T70.1=ISO4762
12	9000007427	Proximity switch NBN5-FT-E2	1		
13	0000023075	Screw	2		GB/T70.1=ISO4762
14	9000002406	Handle cable	1		
15	9000001927	Handle	1		

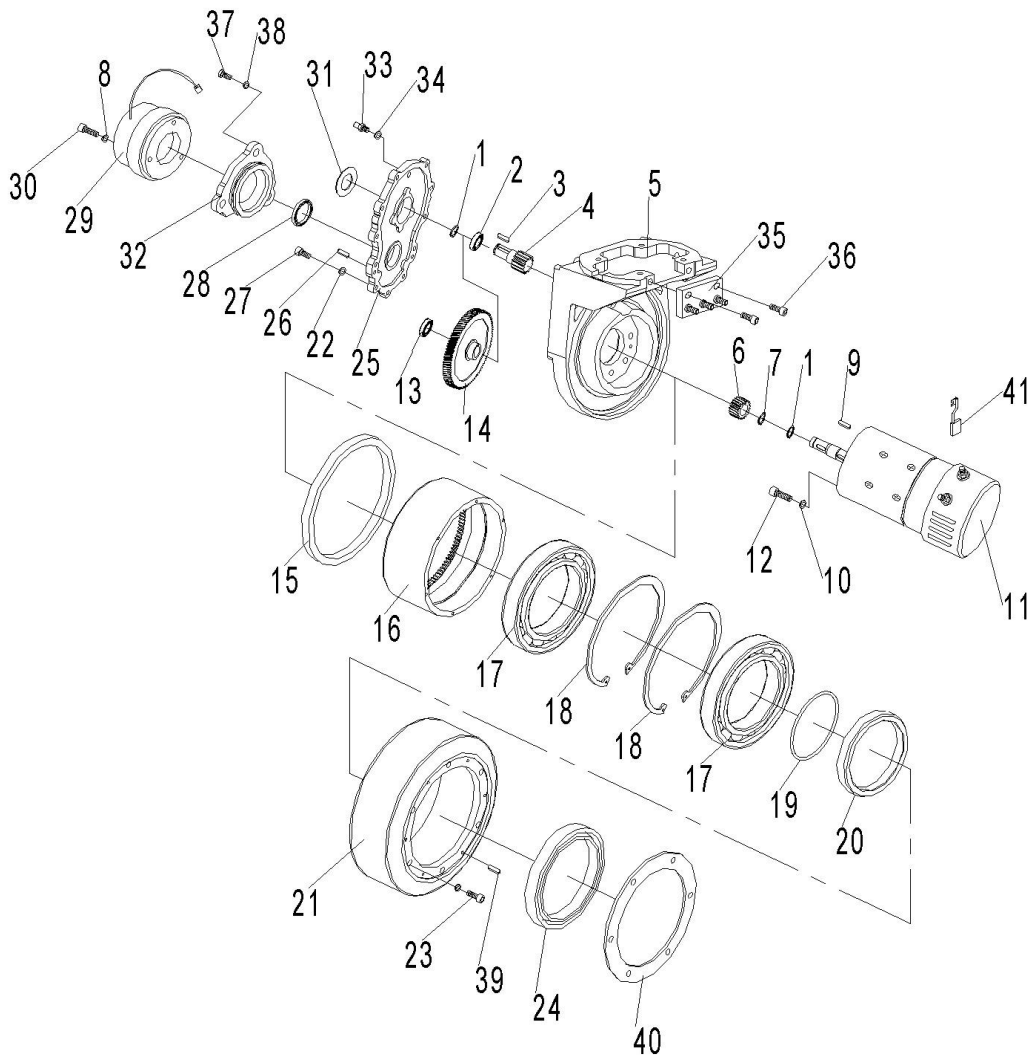
**Fig.15 Economic handle head**



**Fig.15 Economic Handle Head**

No.	Art No.	Description	Qty.	Note	Standard
1	9000002189	Tiller block	1	Rubber	
2	9000002175	Left drive button	1	ABS	
3	9000012014	Accelerator ET-191E	1	ET-191E	option
	9000008334	Accelerator BD-190	1	BD-190	
4	9000002177	Accelerator connector	1	ABS	BD-190 specialization
5	9000002188	Plastic cover	1	ABS	
6	9000002176	Right drive button	1	ABS	
7	0000023304	Screw	2	M3×12	GB/T70.1=ISO4762
8	0000025003	Elastic washer	2	3	GB/T93
9	0000025026	Washer	2	3	GB/T95
10	0090000190	Screw	2	M3×8	BD-190 specialization
11	0090000189	Screw	3	M4×8	GB/T70.3=ISO10642
12	9000002179	Lower cover	1	ABS	
13	0000023138	Screw	4	M6×10	GB/T70.3=ISO10642
14	0000023040	Screw	2	M6×16	GB/T70.1=ISO4762
15	9000002178	Upper cover	1	ABS	
16	9000002311	Micro switch plate	1	ABS	
17	9000002161	Micro switch	4		
18	0090000261	Screw	14	M2.2×13	GB/T845=ISO7049
19	9000002310	Micro switch plate	2	ABS	
20	0090000262	Tapping screw	7	ST2.2 × 9.5	GB/T845=ISO7049
21	9000002180	Belly button	1	ABS	
22	9000002181	Belly block	1	ABS	
23	9000002182	Spring	4	0.8	
24	9000002186	Spring	6	0.5	
25	9000002183	Horn	1	ABS	
26	9000002184	Lifting button	1	ABS	
27	9000002185	Lowing button	1	ABS	
28	9000002187	Sticker	1	ABS	
29	9000002473	Micro switches 2	1		
30	9000002190	Micro switches 1	1		

**Fig.16 Drive wheel assembly**



**Fig.16 Drive Wheel Assembly**

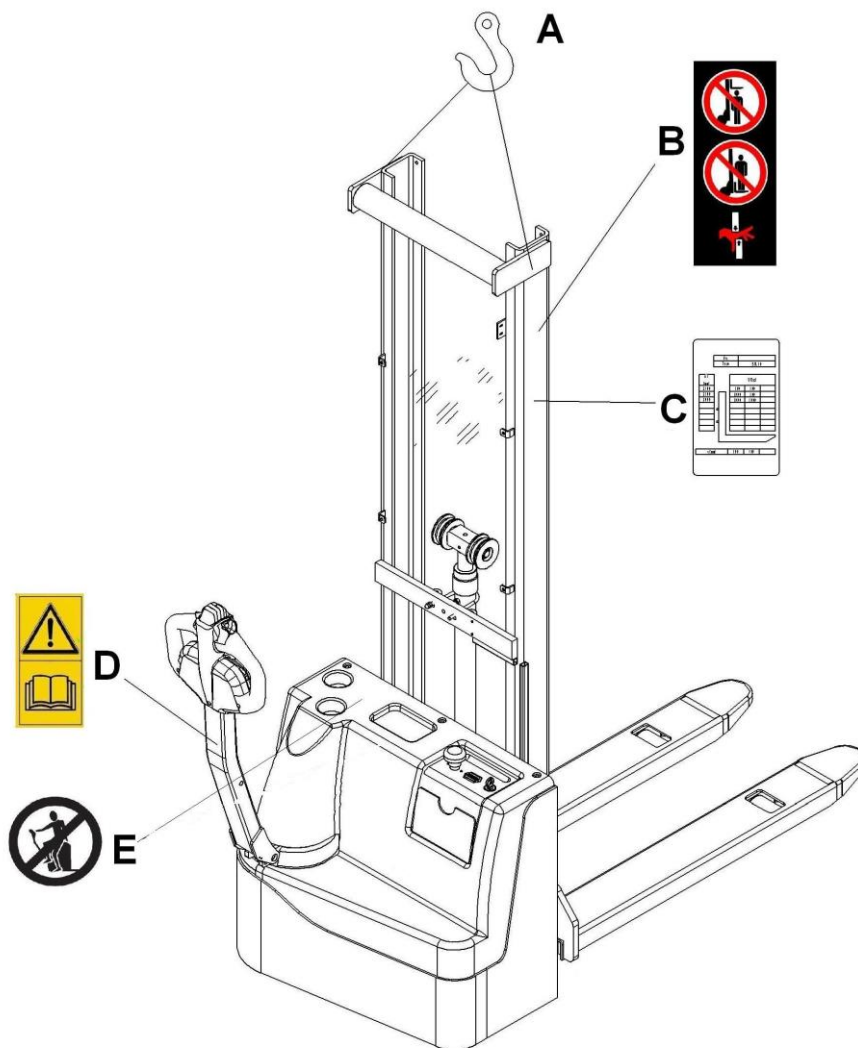
No.	Parts No.	Name	Qty.	Remarks	Standard
1	0000026005	Circlip	2		GB/T894.1
2	0000027068	Bearing	1		GB/T276=ISO3290
3	0000036005	Flat key A	1	5X18	GB/T1096
4	9000002136	Bearing axle	1	19EL100005	
5	9000002137	Gearbox	1	19EL100001	
6	1070309001	Small gear	1		

7	0000026004	Circlip	1		GB/T894.1
8	0000025009	Washer	3		GB/T93
9	0000036002	Flat key	1	5X15	GB/T1096
10	0000025020	Washer	5		
11	9000002138	Permanent magnet motor 0.45kW	1		
12	0000023061	Screw	5		GB/T70.1=ISO4762
13	0000027086	Bearing	1		GB/T276=ISO3290
14	1070309002	Big gear	1		
15	0090000178	Oil seal	1		GB9877
16	9000002139	Inner gear ring	1	19EL100008	
17	0090000179	Bearing	2		GB/T276=ISO3290
18	0090000180	Circlip	2		GB/T894.1
19	0090000181	O ring	1		GB/T3452.1=ISO3601
20	9000002140	Filter seal seat	1	19EL100009	
21	9000002141	Wheel	1	19EL110000	
22	0000025006	Washer	11		GB/T93
23	0090000182	Screw	10		GB/T70.1=ISO4762
24	9000002142	Seal ring	1	19EL100011	
25	1070302007	Gear box cover	1		
26	0000028144	Dowel pin	2		GB/T120.2
27	0000023063	Screw	11		GB/T70.1=ISO4762
28	0090000183	Oil seal	1		GB9877
29	1070335002	Electromagnetic brake	1		
30	0000023674	Screw	3		GB/T70.1=ISO4762
31	1070302008	Cover	1		
32	1070302009	Protective sleeve	1		
33	1070123001	Air plug	1		
34	0000025021	Washer	1		
35	1070302010	Cable fixing plate	1		
36	0000023675	Screw	2	M5X16	GB/T70.2=ISO7380
37	0000023065	Screw	3		GB/T70.2=ISO7380
38	0000025012	Washer	13		GB/T93
39	0090000184	Dowel pin	2		GB/T119.1=ISO2338

40	0090000185	O ring	1		GB/T3452.1=ISO3601
41	9000002143	Carbon brush	1		

1. Gear spare parts need to offer in pairs.

**Fig.17 Sticker for EU**



**Fig.17 Sticker for EU**

No.	Art No.	Description	Qty.	Note	Standard
A	9000005967	Sign hook	2		
B	9000003923	Warning decal: Do not step under or on the forks	1		
C	9000005968	Residual lift capacity sticker	1		

D	9000003570	Sticker to read and follow these instructions	1		
E	9000003573	'No passengers' decal	1		

**Fig.18 Sticker for US**



C	9000005968	Residual lift capacity sticker	1		
D	9000003570	Sticker to read and follow these instructions	1		
G	9000003575	Warning label	1		
H	9000003576	Sign caution charger	1		
I	9000003577	Warning label	1		
J	9000003578	Warning label	1		
K	9000003579	Warning label	1		
L	9000003580	Warning label	1		
M	9000005970	Warning label	1		
N	9000005971	Warning label	2		

### Easy worn parts list

No.	Art No.	Description	Qty.	Fig./Position	Note
-----	---------	-------------	------	---------------	------

1	2000416003	Small wheels	2	Fig. 4/1	Load wheel
2	0000027001	Bearing	4	Fig. 3/11 Fig. 4/4 Fig. 9.1/2 Fig. 9.2/2	Sideways castor Load wheel Single mast hydraulic system Double mast hydraulic system
3	9000002141	Wheel	1	Fig.16/21	Drive wheel assembly
4	9000002143	Carbon brush	4	Fig.16/41	Driving wheel assembly
5	2040634001	Micro-switch	1	Fig.8/1	Electric parts and components
6	9000007398	Air spring	1	Fig.14/6	Handle arm assembly
7	2000322002	Support ring for shaft	1	Fig.10/2	Cylinder assembly
8	0000022014	Rubber seal ring	2	Fig.10/8	Cylinder assembly
9	0000022013	Rubber seal ring	1	Fig.10/7	Cylinder assembly
10	2000322003	Support ring for hole	1	Fig.10/6	Cylinder assembly
11	2010322001	Rubber seal ring	1	Fig.10/5	Cylinder assembly
12	0000022011	Rubber seal ring	3	Fig. 9.1/12 Fig. 9.2/11	Single mast hydraulic system Double mast hydraulic system
13	2210434004	Fuse	1	Fig.6/8	Electronic control board assembly
14	1000434020	Fuse	1	Fig.6/25	Electronic control board assembly
15	1000434040	Fuse	1	Fig.6/16	Electronic control board assembly
16	9000002324	Fuse tube	1	Fig.8/22	Electric parts and components
17	9000002192	LED fault indicator	1	Fig.8/21	Electric parts and components
18	9000002322	Pump contactor	1	Fig.6/24	Electronic control

					board assembly
19	9000002190	Tiller micro-switch assembly 1	1	Fig.15/28	Economic handle head
20	9000002473	Tiller micro-switch assembly 2	1	Fig.15/27	Economic handle head
21	9000007427	Proximity switch	2	Fig.8/26 Fig.14/12	Electric parts and components handle arm assembly
22	9000012014	Accelerator	1	Fig.15/3	Economic handle head