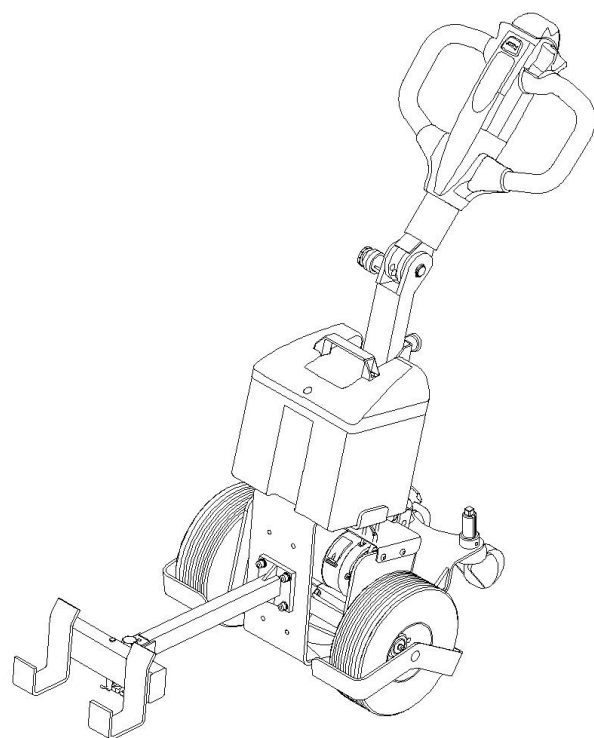


SPARE PARTS LIST

Electric Tow Tractor T E10



Version 05/2015

From truck identification number:

T E10-BPT-002-EN

B	9000008646	ID-plate	1	
C	9000003575	Sign warning stay clear stop truck	1	
D	9000003570	Sticker to read and follow these instruction	1	
E	9000003576	Sign Caution charger	1	
F	9000003577	Sign danger battery	1	
G	9000008583	Sign warning battery size	1	
H	9000003580	Never sit on	1	
I	9000003579	Sign warning electrical devices	1	

Fig.3 Outline

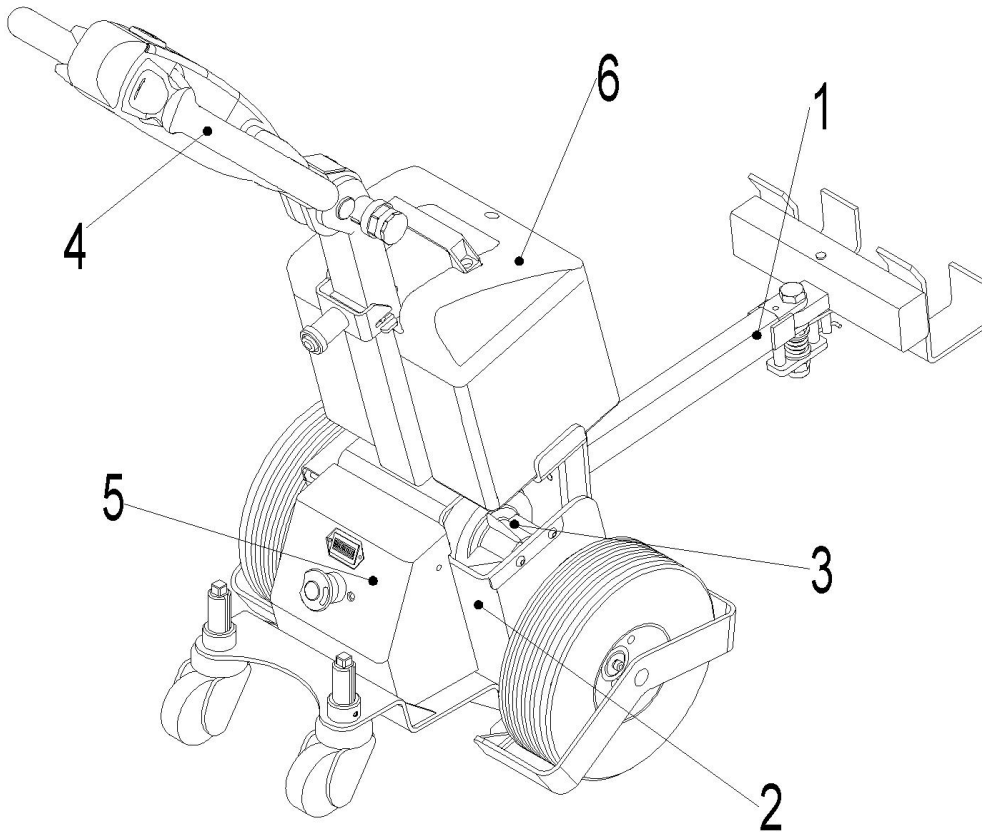


Fig.3 Outline

품품품건건품품책 *1 품품품품품품품품품품품품품품품 40 품품품
 품품건건품품책 *1 품품품품품품품품품품품품품품품 40 품품품
 품건건품품책 *1 품품품품품품품품품품품품품품품 40 품품품
 품품품품품품품품품품품품품품품 40 품품품
 품품품품품품품품품품품품품품품 40 품품품
 품품품품품품품품품품품품품품품 40 품품품
 품품품품품품품품품품품품품품품 40 품품품
 품품품품품품품품품품품품품품품 40 품품품
 품

Fig.6 Dragging frame (三)

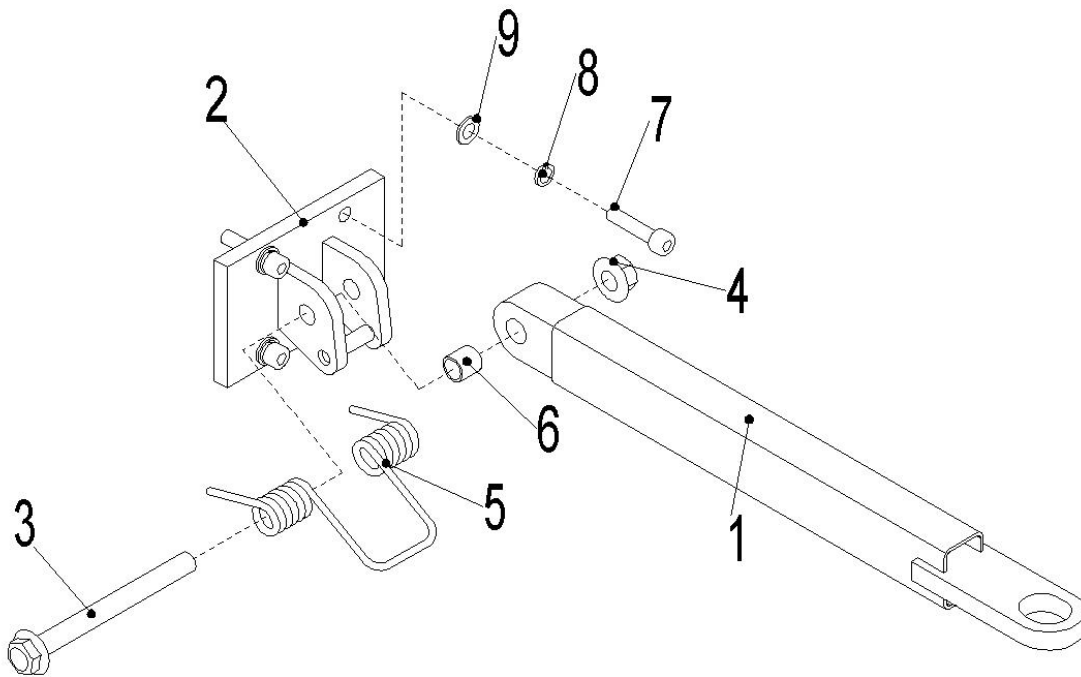


Fig.6 Dragging Frame (三)

No.	Art No.	Description	Qty.	Note
1	9000009536	Traction rod	1	
2	9000009537	Fixing seat	1	
3	0090000508	Bolt	1	M12x120
4	0090000509	Lock nut	1	M12
5	9000009538	Spring	1	
6	1000413002	Bushing	1	12X15X15

1 9000009536 牵引杆 1 40
 2 9000009537 固定座 1 40
 3 0090000508 螺栓 1 40
 4 0090000509 锁母 1 40
 5 9000009538 弹簧 1 40
 6 1000413002 衬套 1 40

7	0000023455	Screw	4	M8x35
8	0000025001	Washer	4	8
9	0000025011	Washer	4	8

Fig.7 Dragging frame (四)

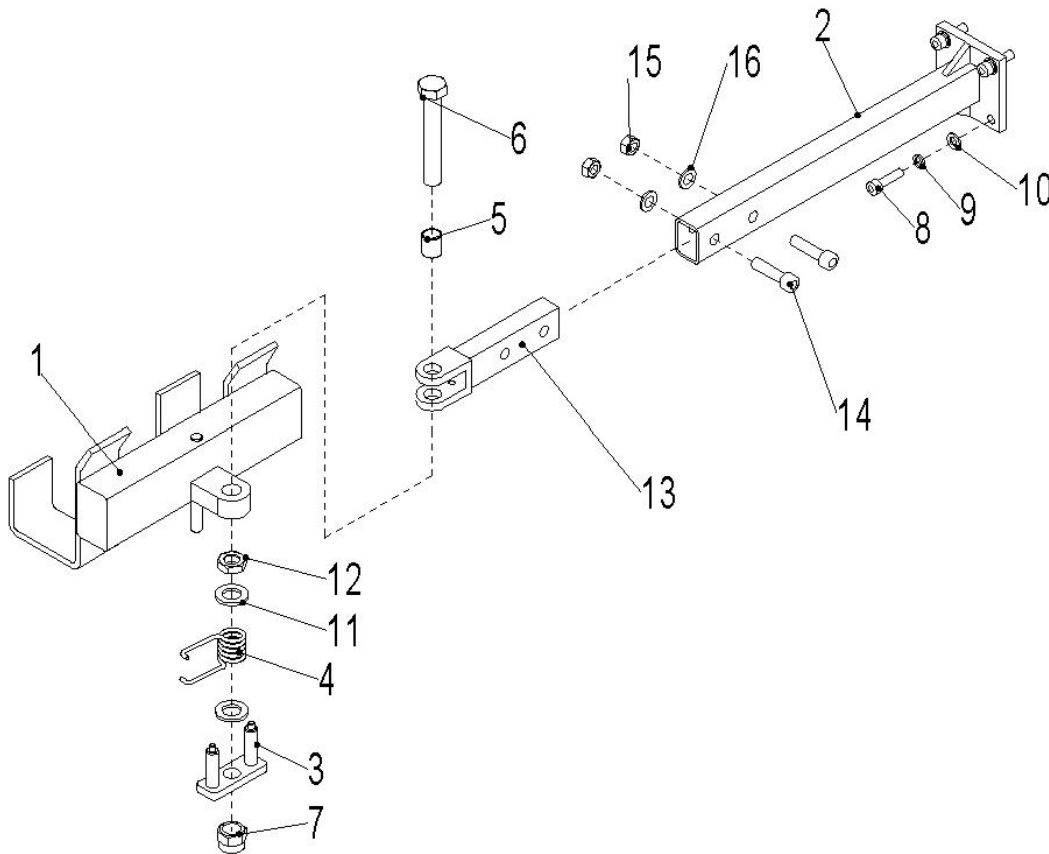


Fig.7 Dragging Frame (四)

No.	Art No.	Description	Qty.	Note
1	9000009556	Rack/ Hanger	1	
2	9000009557	Traction rod	1	
3	9000009558	Spring frame	1	
4	9000009559	Spring	1	
5	0000013030	Bushing	1	16X18X20

1 9000009556 Rack/ Hanger 1
 2 9000009557 Traction rod 1
 3 9000009558 Spring frame 1
 4 9000009559 Spring 1
 5 0000013030 Bushing 1 16X18X20

Fig.9 Drive system

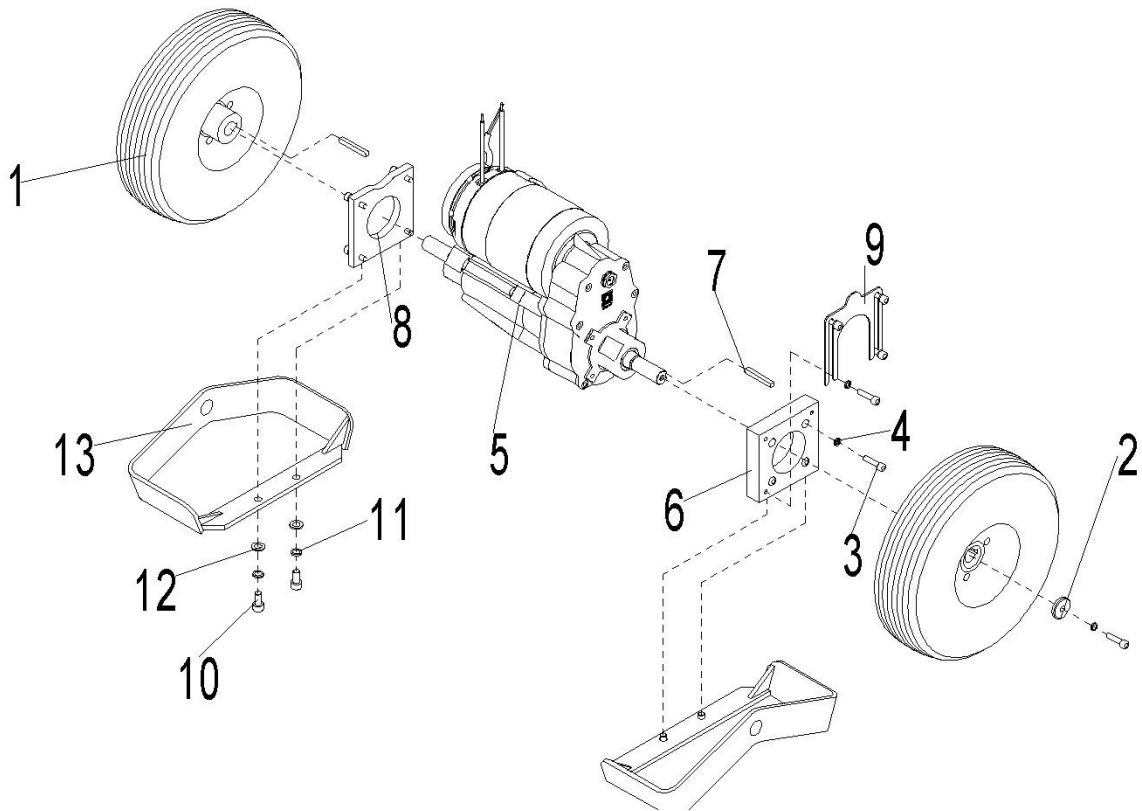


Fig.9 Drive System

No.	Art No.	Description	Qty.	Note
1	9000009804	Drive wheel 250X80	2	non-marking tire
2	9000008190	Circlip	2	
3	0000023030	Screw	14	M6x25
4	0000025010	Washer	14	6
5	9000008656	Transverse DC drive assembly	1	amer24V/400W
6	9000008191	Assembly board 一	1	
7	0090000412	Flat key	2	C 6x45
8	9000008192	Assembly board 二	1	
9	9000008193	Subplate	1	
10	0000023067	Screw	4	M8x16

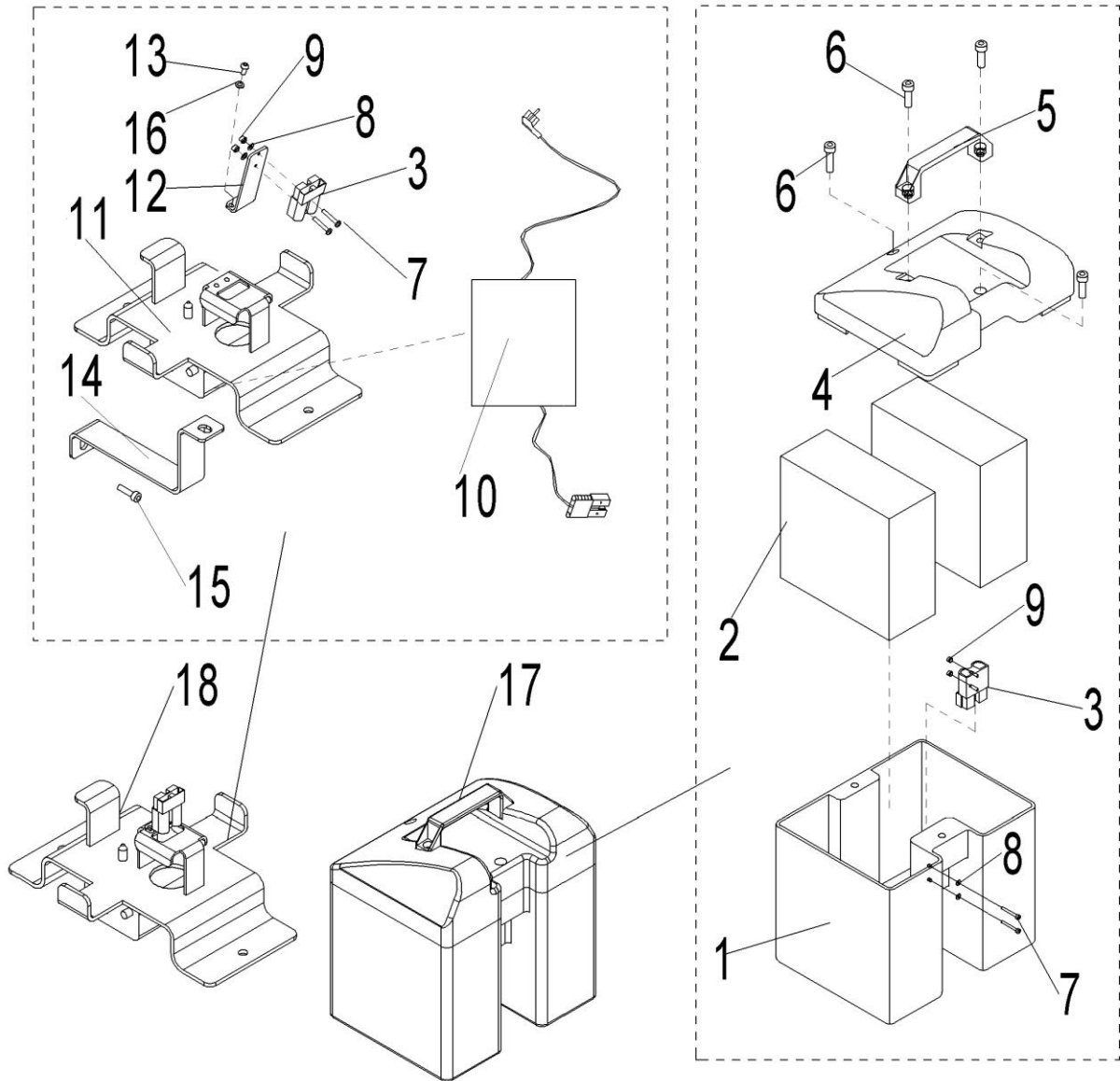
1 40
 2 40
 3 40
 4 40
 5 40
 6 40
 7 40
 8 40
 9 40
 10 40

Fig.10 Handle Assembly

No.	Art No.	Description	Qty.	Note
1	1070100002	Handle	1	
2	9000008194	Handle arm	1	
3	9000008195	Rotating axle	1	
4	0000026003	Circlip	1	20
5	9000008202	Poling	1	
6	0000023047	Screw	8	M8x25
7	0000025001	Washer	8	8
8	9000008200	Fixing frame	1	
9	2210431002	Spring	1	
10	9000008201	Locating bushing	1	
11	0000023584	Screw	1	M8x50
12	2210402002	Hand wheel	1	
13	0000028024	Dowel pin	1	4x16
14	9000008197	Locating axle	1	
15	2210431002	Spring	1	
16	0000028167	Dowel pin	1	4x28
17	0090000345	Screw	2	M3x8
18	9000008198	End cap	1	
19	9000008589	Main control cable	1	

1. 1070100002 Handle 1
 2. 9000008194 Handle arm 1
 3. 9000008195 Rotating axle 1
 4. 0000026003 Circlip 1 (Note: 20)
 5. 9000008202 Poling 1
 6. 0000023047 Screw 8 (Note: M8x25)
 7. 0000025001 Washer 8 (Note: 8)
 8. 9000008200 Fixing frame 1
 9. 2210431002 Spring 1
 10. 9000008201 Locating bushing 1
 11. 0000023584 Screw 1 (Note: M8x50)
 12. 2210402002 Hand wheel 1
 13. 0000028024 Dowel pin 1 (Note: 4x16)
 14. 9000008197 Locating axle 1
 15. 2210431002 Spring 1
 16. 0000028167 Dowel pin 1 (Note: 4x28)
 17. 0090000345 Screw 2 (Note: M3x8)
 18. 9000008198 End cap 1
 19. 9000008589 Main control cable 1

Fig.11 Battery



1. 40개
 2. 40개
 3. 1개
 4. 40개
 5. 40개
 6. 40개
 7. 40개
 8. 40개
 9. 40개
 10. 40개
 11. 40개
 12. 40개
 13. 40개
 14. 40개
 15. 40개
 16. 40개
 17. 40개
 18. 40개

24	9000002183	Horn button	1	
25	9000002356	Label	1	ABS

Fig.13 Indicator board assembly

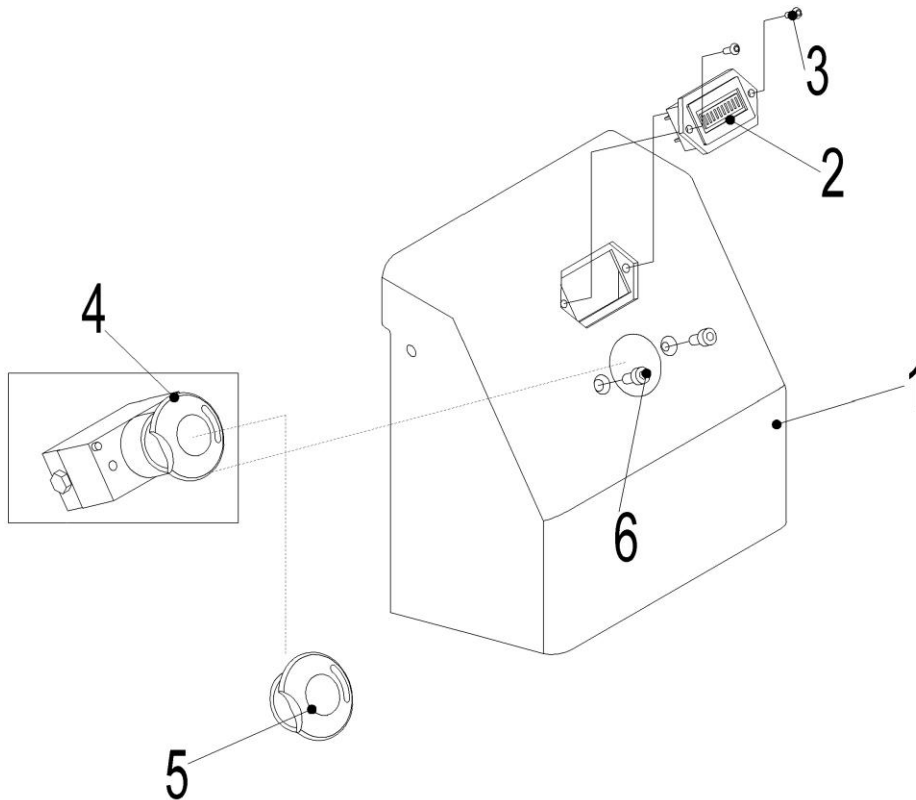


Fig.13 Indicator Board Assembly

No.	Art No.	Description	Qty.	Note
1		Indicator board assembly	1	
2		Indicator board	1	
3		Terminal block	1	
4		Lens	1	
5		Mounting ring	1	
6		Mounting bracket	1	

17	0000023307	Screw	4	M4x10
18	1000434021	Fuse seat	1	BD-1X10A
19	1000434040	Fuse	1	10A
20	0000023074	Screw	2	M3x30
21	1010404005	Plug fixing frame	1	
22	1000403004	Line buckle	2	UC-2
23	1020434002	M8 terminal	1	BD-M8

Fig.15 Drive wheel

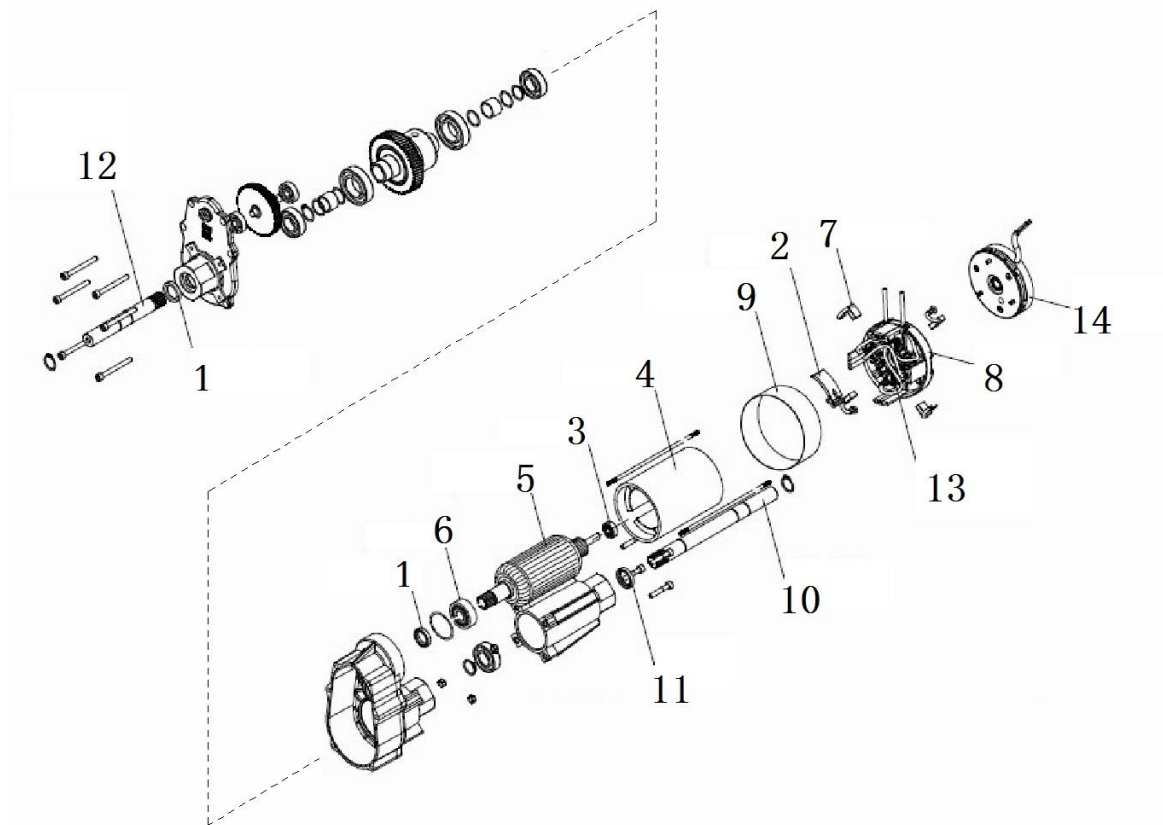


Fig.15 Drive Wheel

No.	Art No.	Description	Qty.	Note
1	9000009808	Seal ring	1	
2	9000009809	Safety hook	1	
3	9000009810	Bearing	1	

1. 1000434021 Fuse seat
 2. 1000434040 Fuse
 3. 1010404005 Plug fixing frame
 4. 1000403004 Line buckle
 5. 1020434002 M8 terminal
 6. 0000023307 Screw
 7. 0000023074 Screw
 8. 1000434021 Fuse seat
 9. 1000434040 Fuse
 10. 1010404005 Plug fixing frame
 11. 1000403004 Line buckle
 12. 1020434002 M8 terminal
 13. 0000023307 Screw
 14. 0000023074 Screw

6	9000008595	B- cable	1	
---	------------	----------	---	--

Easy worn parts list

No.	Part number	Name	Qty.	Fig./Position	Note
1	9000009568	SR50 78184-00	1	Fig.8/8	Truck body
2	2550100001	Castor	2	Fig.8/17	
3	9000008189	Castor assembly	2	Fig.9/1	Drive system
4	9000008208	Battery box	1	Fig.11/1	Battery
5	9000009568	SR50 78184-00	1	Fig.11/3	
6	9000008207	Battery box cover	1	Fig.11/4	
7	9000002161	Micro switch	2	Fig.10/217	Handle head
8	1070334008	Emergency switch S100/80	1	Fig.13/4	Indicator assembly
9	9000002163	Emergency switch S100/80 key	1	Fig.13/5	
10	9000008642	Fuse 30A	1	Fig.14/15	Electronic control assembly
11	1000434040	Fuse 10A	1	Fig.14/19	

1. 9000009568 SR50 78184-00 1 Fig.8/8 Truck body
 2. 2550100001 Castor 2 Fig.8/17 Truck body
 3. 9000008189 Castor assembly 2 Fig.9/1 Drive system
 4. 9000008208 Battery box 1 Fig.11/1 Battery
 5. 9000009568 SR50 78184-00 1 Fig.11/3 Battery
 6. 9000008207 Battery box cover 1 Fig.11/4 Battery
 7. 9000002161 Micro switch 2 Fig.10/217 Handle head
 8. 1070334008 Emergency switch S100/80 1 Fig.13/4 Indicator assembly
 9. 9000002163 Emergency switch S100/80 key 1 Fig.13/5 Indicator assembly
 10. 9000008642 Fuse 30A 1 Fig.14/15 Electronic control assembly
 11. 1000434040 Fuse 10A 1 Fig.14/19 Electronic control assembly