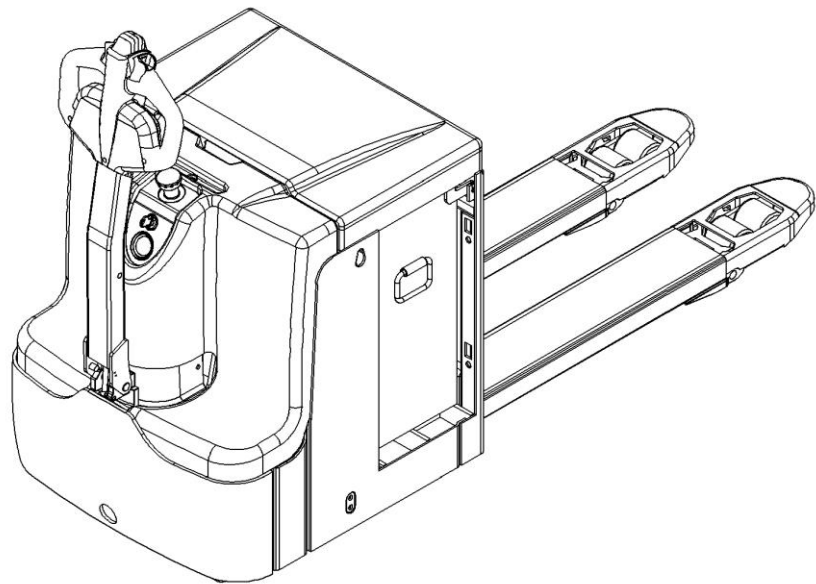
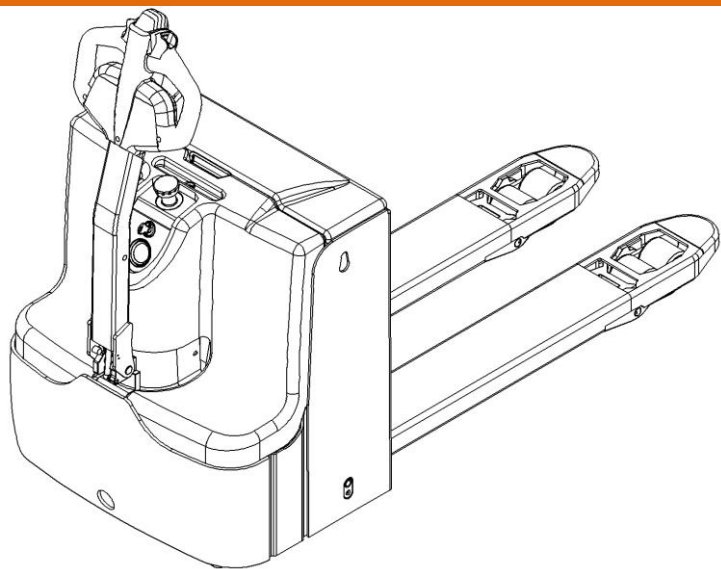


SPAREPARTS LIST

Electric Pallet Truck



Version 08/2015

From truck identification number:

20150800001

PT XXL-BPT-001-EN

Catalogue

Fig.1 PT 16L Appearance.....	3
Fig.2 PT 20L Appearance.....	5
Fig.3 PT 20L Appearance(side pulling).....	7
Fig.4 PT 25L Appearance.....	9
Fig.5 PT 16L Fork frame.....	11
Fig.6 PT 20L Truck frame.....	13
Fig.7 PT 20L Truck frame (side pulling).....	15
Fig.8 PT 25L Fork frame.....	19
Fig.9 Load roller(for EU).....	23
Fig.10 PT 16L/PT20L Truck body assembly.....	25
Fig.11 PT 25L Truck body assembly.....	27
Fig.12 PT 16L Battery.....	29
Fig.13 PT 20L Battery.....	31
Fig.14 PT 20L Battery(side pulling).....	33
Fig.15 PT 25L Battery.....	35
Fig.16 PT 16L Drive wheel.....	37
Fig.17 PT20L Drive wheel.....	39
Fig.18 PT 25L Drive wheel.....	41
Fig.19 Steering wheel.....	43
Fig.20 Handle assembly.....	45
Fig.21 Canbus Handle.....	47
Fig.22 PT 16L/PT20L Hydraulic assembly.....	49
Fig.23 PT 25L Hydraulic assembly.....	51
Fig.24 0.8KW Pump.....	53
Fig. 25 2.2KW Pump.....	55
Fig. 26 PT 16L/PT20L Electrical assembly.....	57
Fig.27 PT 25L Electrical assembly.....	61

Fig.28 Electrical control assembly	65
Fig.29 Main cables	69
Fig.30 PT 16L/PT 20L Label(for EU)	71
Fig.31 PT 20L Label(for EU) (side pulling).....	73
Fig.32 PT 25L Label(for EU).....	75
Fig.33 PT 16L/PT 20L Label(for US)	77
Fig.34 PT 20L Label(for US) (side pulling).....	79
Fig.35 PT 25L Label(for US).....	81
Easy worn parts list.....	83

Fig.1 PT 16L Appearance

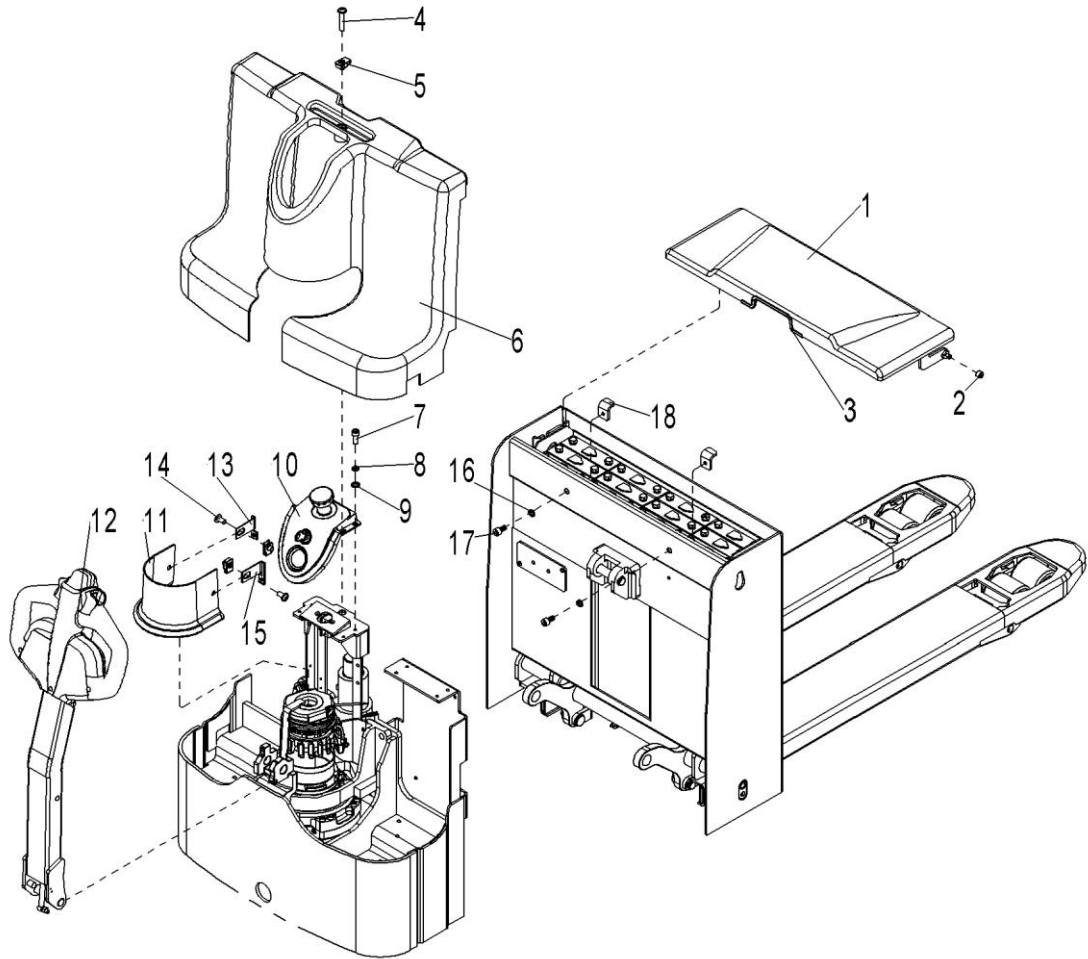


Fig.1 PT 16L Appearance

No.	Art No.	Item	Qty.	Note	Standard
1	9000010661	Battery cover	1		
2	9000008047	Rubber ring	2		
3	9000008339	Seal strip	1		
4	9000007792	Screw	1	M10X45	
5	9000007783	Nut	3		
6	9000010662	Electrical box cover	1		
7	0000023040	Screw	4	M6x16	GB/T70.1=ISO4762
8	0000025010	Washer 6	4	6	GB/T93
9	0000023055	Washer 6	4	6	GB/T95
10	9000010663	Indicator cover	1		
11	9000010664	Motor cover	1		
12	9000010665	Handle assembly	1		
13	9000011593	Motor cover left assembly board	1		
14	1000423001	Screw	2	M10X20	
15	9000011594	Motor cover right assembly board	1		
16	0000025001	Washer	2	8	
17	0000023044	Screw	2	M8x20	
18	9000010646	Battery limit board	2		

Fig.2 PT 20L Appearance

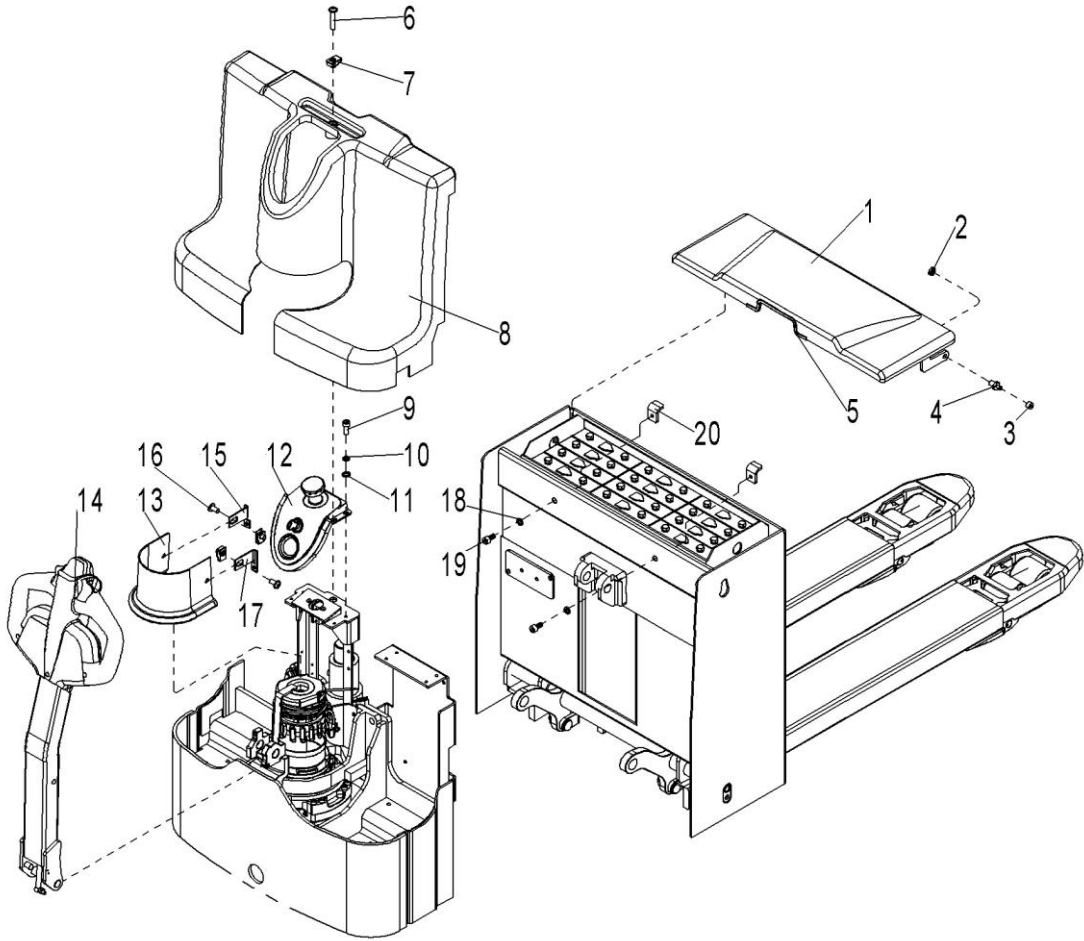


Fig.2 PT 20L Appearance

No.	Art No.	Item	Qty.	Note	Standard
1	9000008046	Battery cover	1		
2	0000024178	Nut	4	M24x1.5	GB/T6173
3	9000008047	Rubber ring	2		
4	9000008057	Hinge axle	2		
5	9000008339	Seal strip	1		
6	9000007792	Screw	1	M10X45	
7	9000007783	Nut	3		
8	9000010662	Electrical box cover	1		
9	0000023040	Screw	4	M6x16	GB/T70.1=ISO4762
10	0000025010	Washer 6	4	6	GB/T93
11	0000023055	Washer 6	4	6	GB/T95
12	9000010663	Indicator cover	1		
13	9000010664	Motor cover	1		
14	9000010665	Handle assembly	1		
15	9000011593	Motor cover left assembly board	1		
16	1000423001	Screw	2	M10X20	
17	9000011594	Motor cover right assembly board	1		
18	0000025001	Washer	2	8	
19	0000023044	Screw	2	M8x20	
20	9000011762	Battery limit board	2		

Fig.3 PT 20L Appearance(side pulling)

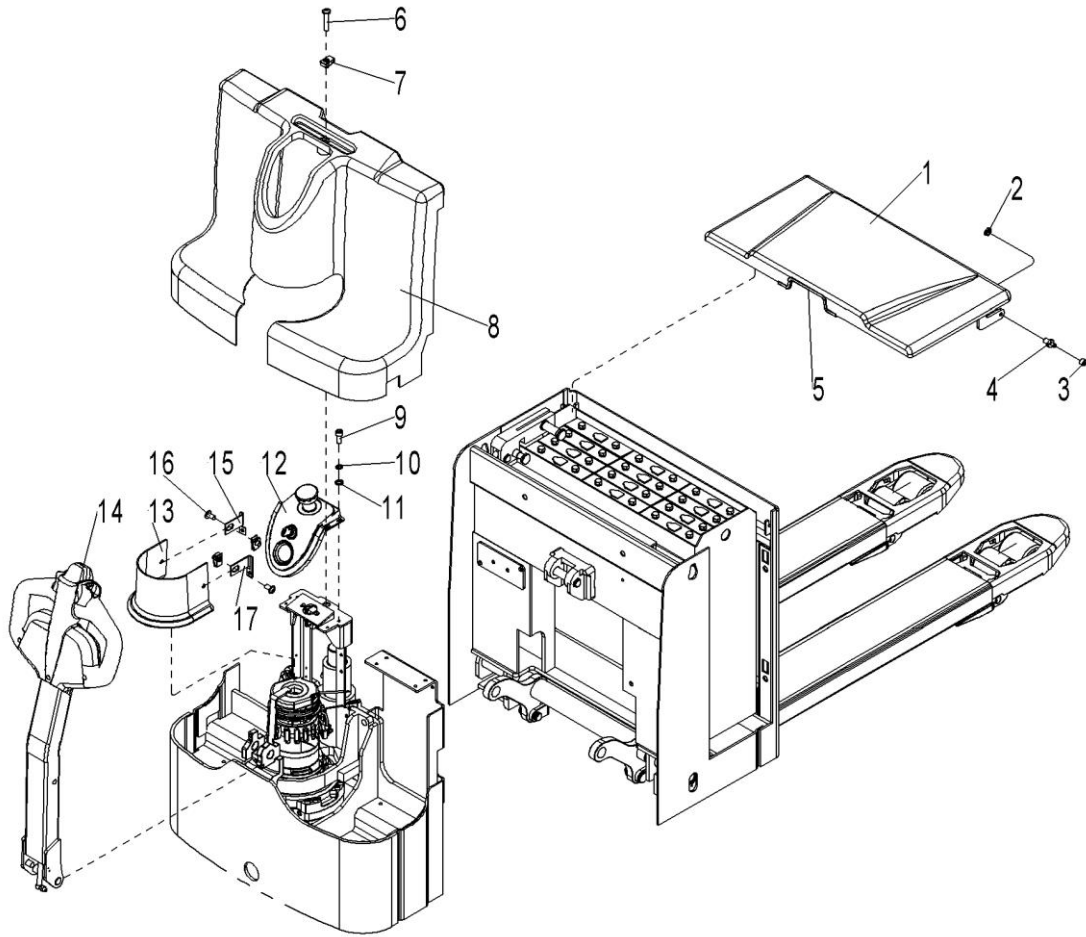


Fig.3 PT 20L Appearance(side pulling)

No.	Art No.	Item	Qty.	Note	Standard
1	9000011587	Battery cover	1		
2	0000024178	Nut	4	M24x1.5	GB/T6173 =ISO8675
3	9000008047	Rubber ring	2		
4	9000008057	Hinge axle	2		
5	9000008339	Seal strip	1		
6	9000007792	Screw	1	M10X45	
7	9000007783	Nut	3		
8	9000010662	Electrical box cover	1		
9	0000023040	Screw	4	M6x16	GB/T70.1=ISO4762
10	0000025010	Washer 6	4	6	GB/T93
11	0000023055	Washer 6	4	6	GB/T95
12	9000010663	Indicator cover	1		
13	9000010664	Motor cover	1		
14	9000010665	Handle assembly	1		
15	9000011593	Motor cover left assembly board	1		
16	1000423001	Screw	2	M10X20	
17	9000011594	Motor cover right assembly board	1		

Fig.4 PT 25L Appearance

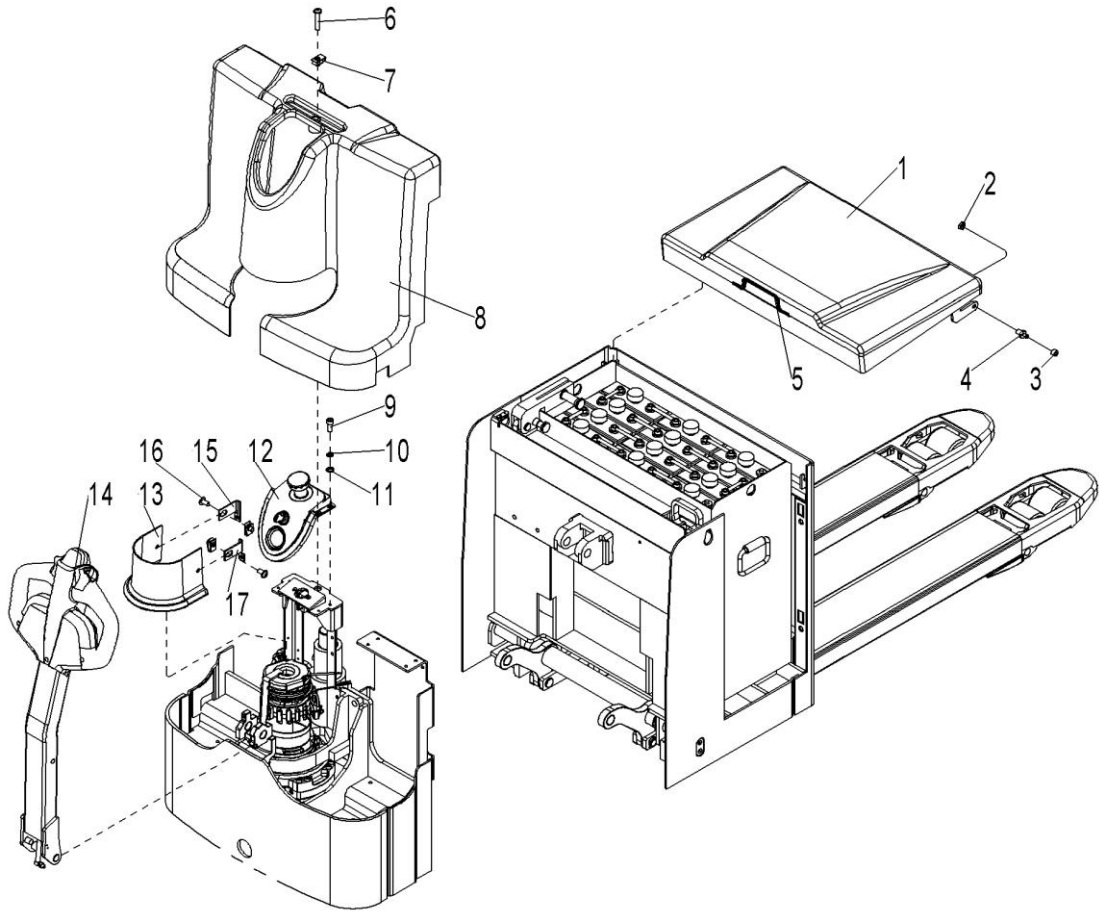


Fig.4 PT 25L Appearance

No.	Art No.	Item	Qty.	Note	Standard
1	9000010666	Battery cover	1		
2	0000024178	Nut	4	M24x1.5	GB/T6173 =ISO8675
3	9000008047	Rubber ring	2		
4	9000008057	Hinge axle	2		
5	9000008339	Seal strip	1		
6	9000007792	Screw	1	M10X45	
7	9000007783	Nut	3		
8	9000010667	Electrical box cover	1		
9	0000023040	Screw	4	M6x16	GB/T70.1=ISO4762
10	0000025010	Washer 6	4	6	GB/T93
11	0000023055	Washer 6	4	6	GB/T95
12	9000010663	Indicator cover	1		
13	9000010664	Motor cover	1		
14	9000010665	Handle assembly	1		
15	9000011595	Motor cover left assembly board	1		
16	1000423001	Screw	2	M10X20	
17	9000011596	Motor cover right assembly board	1		

Fig.5 PT 16L Fork frame

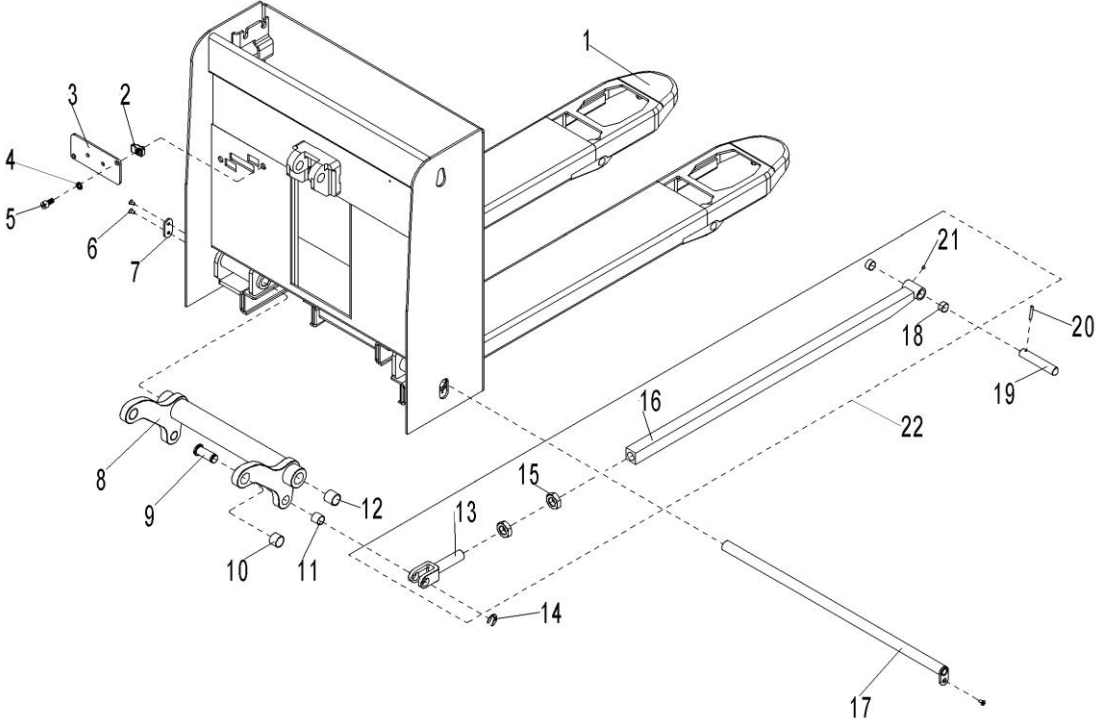


Fig.5 PT 16L Fork Frame

No.	Art No.	Item	Qty.	Note	Standard
1	9000010668	Fork frame	1	540X1150	
	9000010934	Fork frame		685X1220	
2	9000007783	Nut	1		
3	9000010669	Pump assembly plate	1		
4	0000023006	Washer	2	10	GB/T93
5	0000023088	Screw	2	M10x25	GB/T70.1=ISO4762
6	0000023091	Screw	5	M6x12	GB/T70.3=ISO10642
7	1000504001	Fixing plate	1		
8	9000008044	Rock arm	1	540	
	9000008906	Rock arm		685	
9	9000008052	Pushing rod fork axle	1		
10	0000013024	Bushing	2	25x28x20	
11	0000013001	Bushing	2	20x23x20	
12	0000027006	Bushing	2	25x29x25	
13	9000008053	Pushing rod fork	2		
14	0000026001	Circlip	2	15	GB/T896
15	0000024178	Nut	4	M24x1.5	GB/T6173 =ISO8675
16	9000010670	Pushing rod	2	1150	
	9000010935	Pushing rod	2	1220	
17	9000008048	Rock arm axle	1		
18	0000027005	Bushing	4	20x22x12	
19	9000008055	Pushing rod axle	2		
20	0090000744	Dowel pin	2	5x28	ISO8748
21	0000030001	Grease nipple	2	6	JB/T7940.4
22	9000010671	Pushing rod kit	2	1150	
	9000010940	Pushing rod kit	2	1220	

Fig.6 PT 20L Truck frame

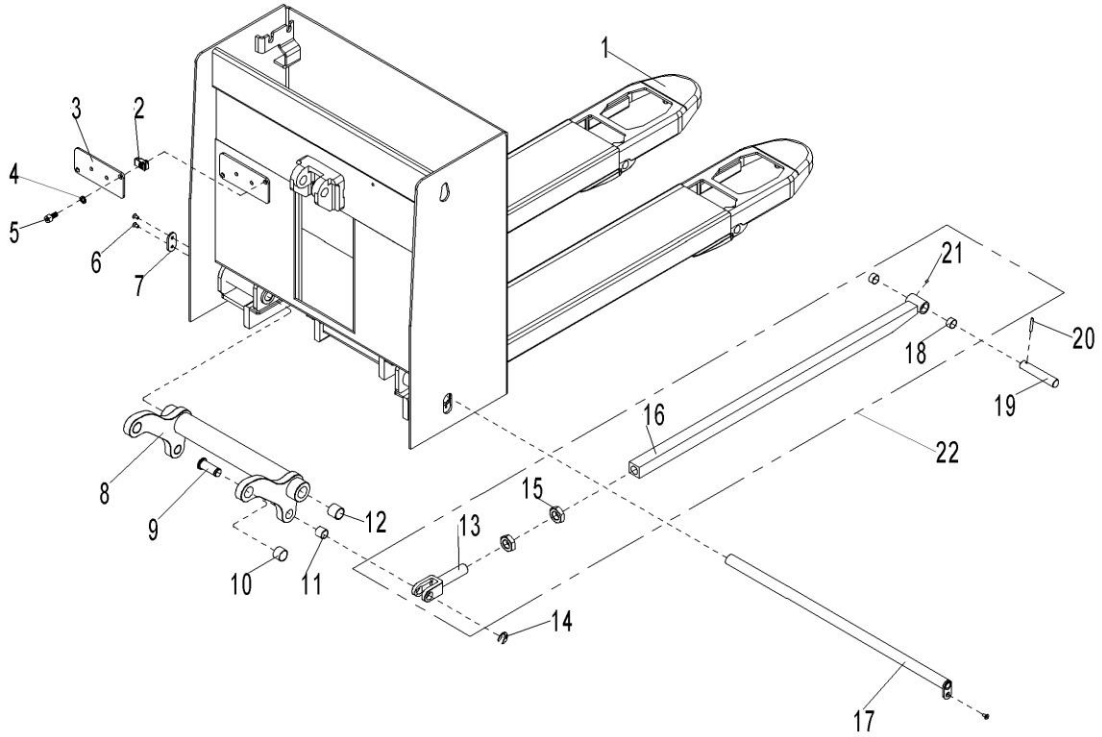


Fig.6 PT 20L Truck Frame

No.	Art No.	Item	Qty.	Note	Standard
1	9000010672	Fork frame	1	540X1150	
	9000010936	Fork frame		685X1220	
2	9000007783	Nut	1		
3	9000010669	Pump assembly plate	1		
4	0000023006	Washer	2	10	GB/T93
5	0000023088	Screw	2	M10x25	GB/T70.1=ISO4762
6	0000023091	Screw	5	M6x12	GB/T70.3= ISO10642
7	1000504001	Fixing plate	1		
8	9000008044	Rock arm	1	540	
	9000008906	Rock arm		685	
9	9000008052	Pushing rod fork axle	1		
10	0000013024	Bushing	2	25x28x20	
11	0000013001	Bushing	2	20x23x20	
12	0000027006	Bushing	2	25x29x25	
13	9000008053	Pushing rod fork	2		
14	0000026001	Circlip	2	15	GB/T896
15	0000024178	Nut	4	M24x1.5	GB/T6173 =ISO8675
16	9000010673	Pushing rod	2	1150	
	9000010937	Pushing rod	2	1220	
17	9000008048	Rock arm axle	1		
18	0000027005	Bushing	4	20x22x12	
19	9000008055	Pushing rod axle	2		
20	0090000744	Dowel pin	2	5x28	ISO8748
21	0000030001	Grease nipple	2	6	JB/T7940.4
22	9000010674	Pushing rod kit	2	1150	
	9000010941	Pushing rod kit	2	1220	

Fig.7 PT 20L Truck frame (side pulling)

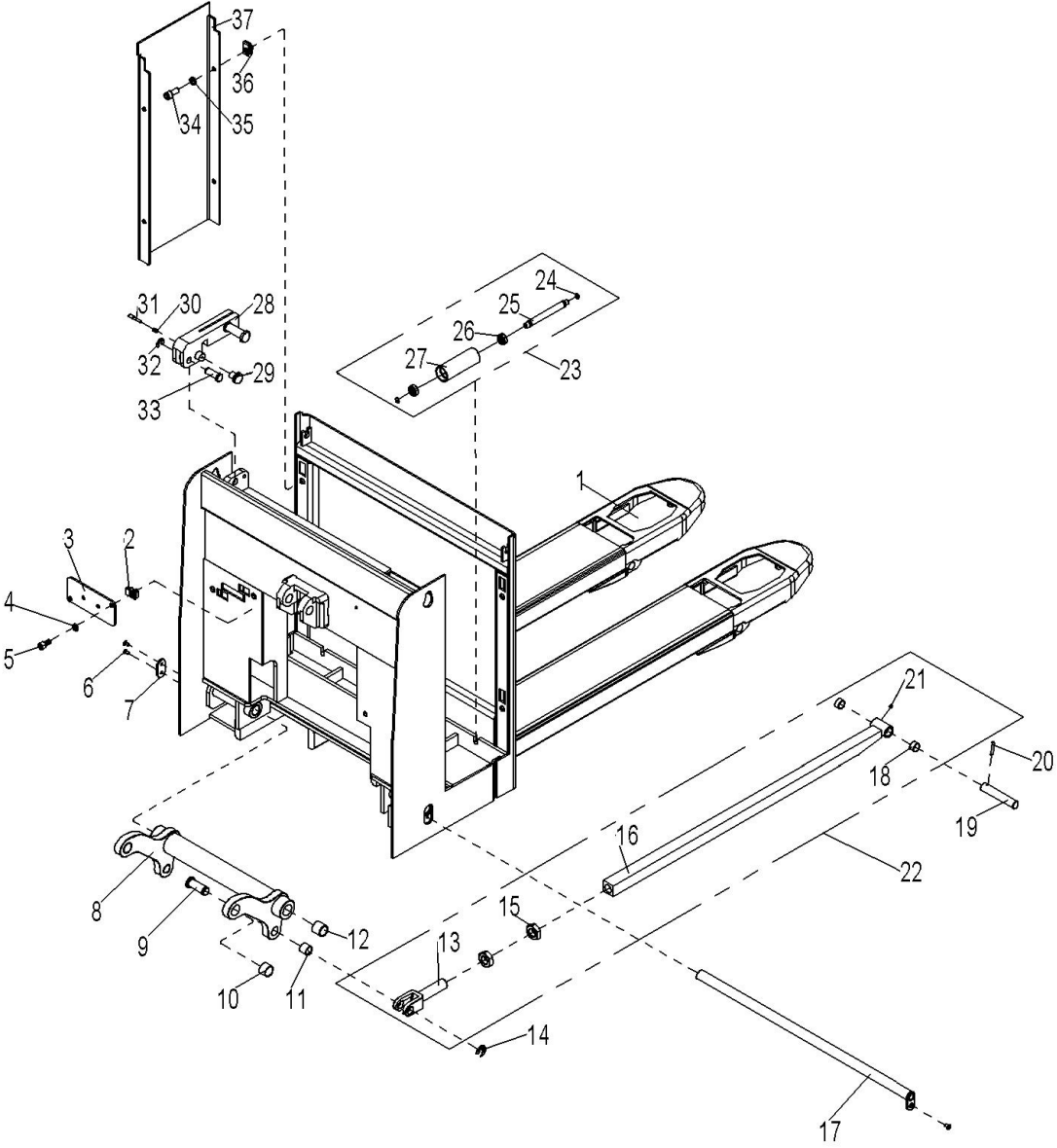


Fig.7 PT 20L Truck Frame(side pulling)

No.	Art No.	Item	Qty.	Note	Standard
1	9000011609	Fork frame	1	540X1150	
	9000011610	Fork frame		685X1220	
2	9000007783	Nut	1		
3	9000010669	Pump assembly plate	1		
4	0000023006	Washer	2	10	GB/T93
5	0000023088	Screw	2	M10x25	GB/T70.1=ISO4762
6	0000023091	Screw	5	M6x12	GB/T70.3= ISO10642
7	1000504001	Fixing plate	1		
8	9000008044	Rock arm	1	540	
	9000008906	Rock arm		685	
9	9000008052	Pushing rod fork axle	1		
10	0000013024	Bushing	2	25x28x20	
11	0000013001	Bushing	2	20x23x20	
12	0000027006	Bushing	2	25x29x25	
13	9000008053	Pushing rod fork	2		
14	0000026001	Circlip	2	15	GB/T896
15	0000024178	Nut	4	M24x1.5	GB/T6173 =ISO8675
16	9000011611	Pushing rod	2	1150	
	9000011612	Pushing rod	2	1220	
17	9000008048	Rock arm axle	1		
18	0000027005	Bushing	4	20x22x12	
19	9000008055	Pushing rod axle	2		
20	0090000744	Dowel pin	2	5x28	ISO8748
21	0000030001	Oil cup	2	6	JB/T7940.4
22	9000011614	Pushing rod kit	2	1150	
	9000011613	Pushing rod kit	2	1220	
23	9000011590	Roller assembly	6		
24	0000026004	Circlip	12	15	GB/T894.1
25	9000011591	Axle	6		
26	0000027060	Bearing	12	6202	GB/T276
27	9000011592	Barrel	6		
28	9000008267	Battery cover mechanic lock	1		

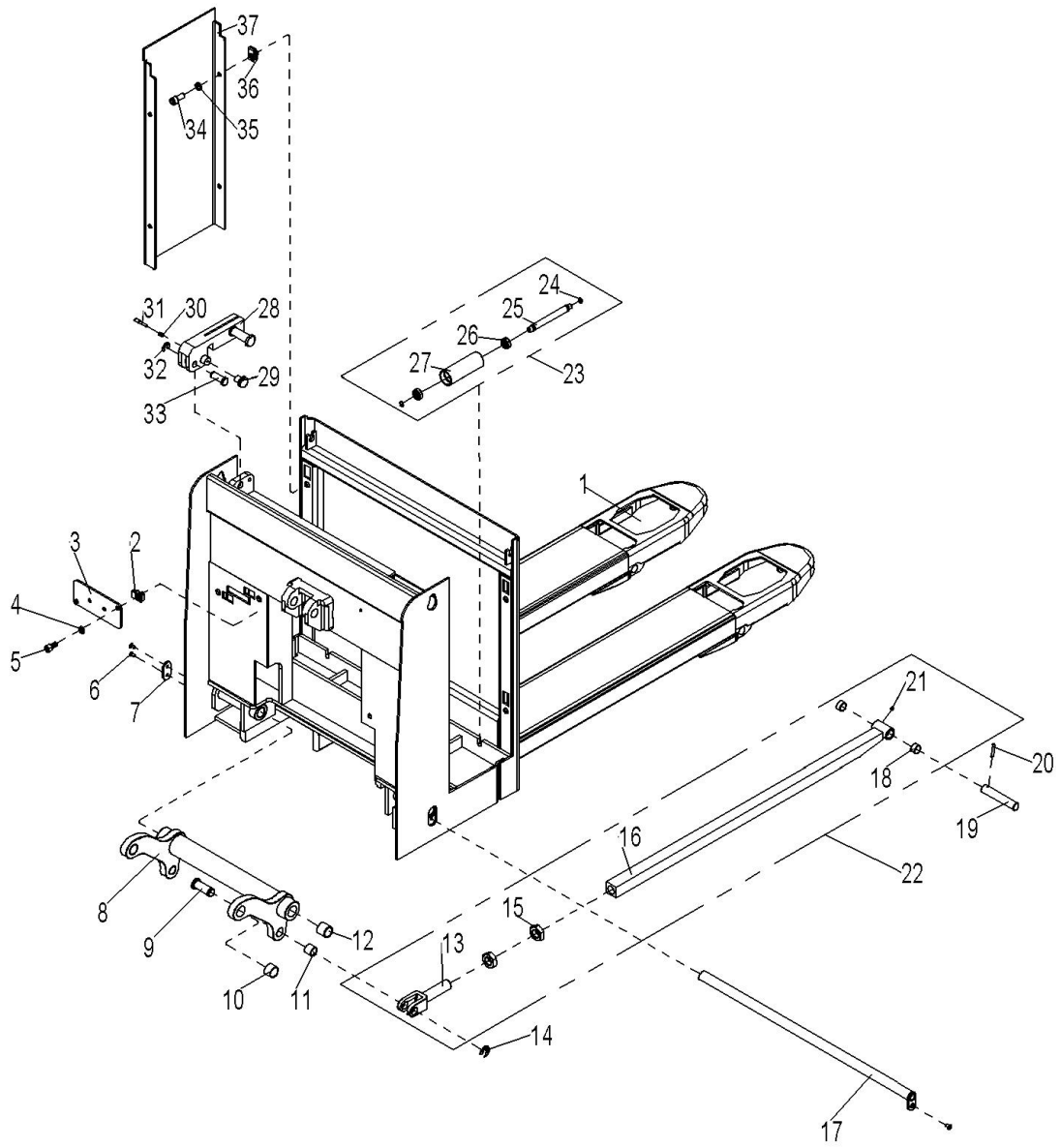


Fig.7 PT 20L Truck Frame(side pulling)

No.	Art No.	Item	Qty.	Note	Standard
29	9000008265	Handle	1		
30	9000007788	Spring	1		
31	9000008264	Pin head	1		
32	0000026052	Circlip	1	12	GB/T896
33	9000008268	Fixing axle	1		
34	0000023088	Screw	4	M10x25	GB/T70.1=ISO4762
35	0000023006	Washer	4	10	GB/T93
36	9000007783	Nut	1		
37	9000011615	Door plank	1		

Fig.8 PT 25L Fork frame

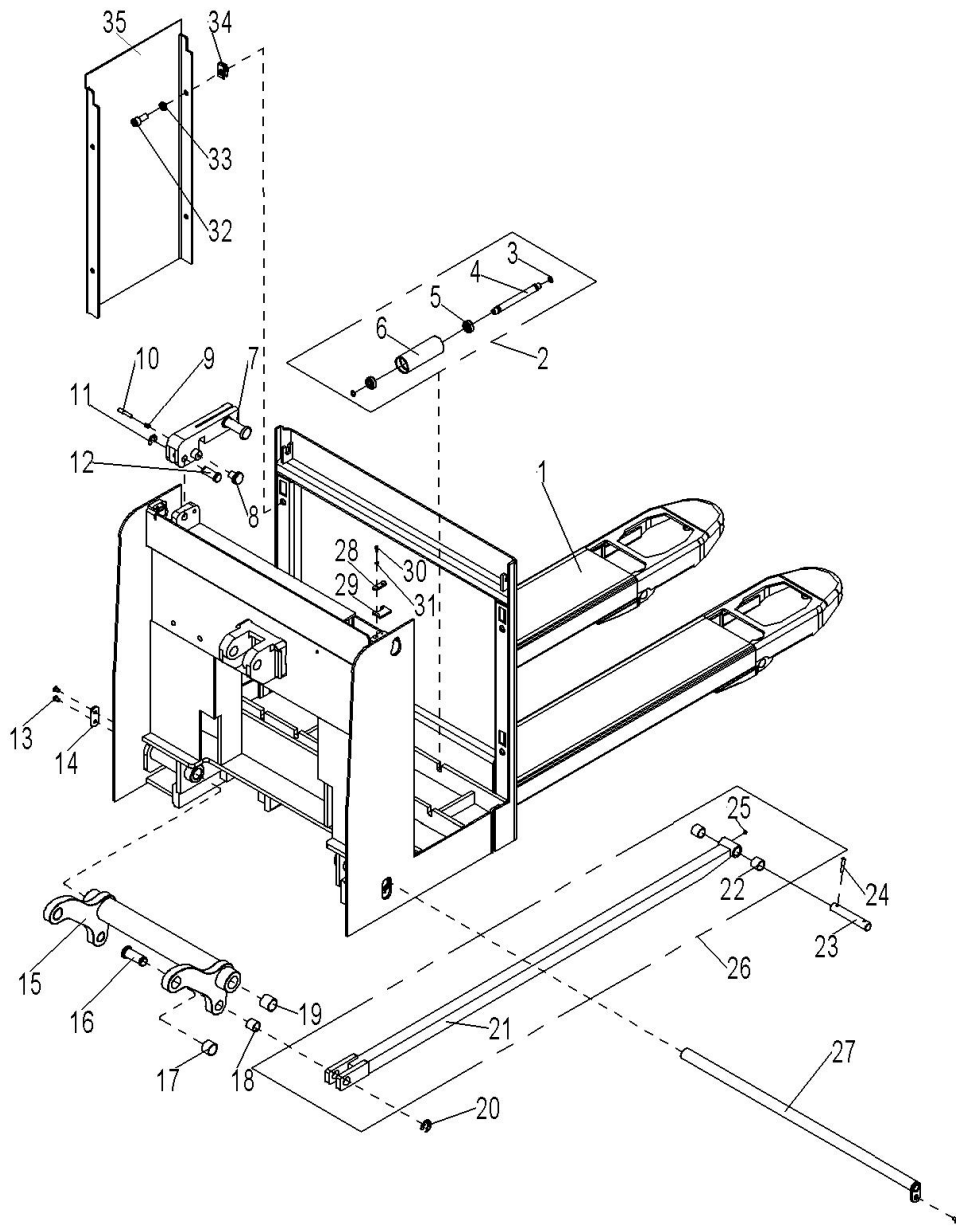


Fig.8 PT 25L Fork Frame

No.	Art No.	Item	Qty.	Note	Standard
1	9000010675	Fork frame	1	540X1150	
	9000010938	Fork frame		685X1220	
2	2410400001	Roller components	6		
3	0000026004	Circlip	12	15	GB/T894.1
4	2410407001	shaft	6		
5	0000027060	Bearing	12	6202	GB/T276
6	2410411001	Barrel	6		
7	9000008267	Battery cover mechanic lock	1		
8	9000008265	Handle	1		
9	9000007788	Spring	1		
10	9000008264	Pin head	1		
11	0000026052	Circlip	1	12	GB/T896
12	9000008268	Fixing axle	1		
12	0000023091	Screw	5	M6×12	GB/T70.3=ISO10642
14	1000504001	Fixing plate	1		
15	9000008044	Rock arm	1	540	
	9000008906	Rock arm		685	
16	9000008272	Pushing rod fork axle	2		
17	0000013024	Bushing	2	25×28×20	
18	0000013001	Bushing	2	20×23×20	
19	0000027006	Bushing	2	25×29×25	
20	0000026001	Circlip	2	15	GB/T896
21	9000010676	Pushing rod	2	1150	
	9000010939	Pushing rod	2	1220	
22	0000027005	Bushing	4	20×22×12	
23	9000008055	Pushing rod axle	2		
24	0090000744	Dowel pin	2	5×28	ISO8748
25	0000030001	Grease nipple	2	6	JB/T7940.4

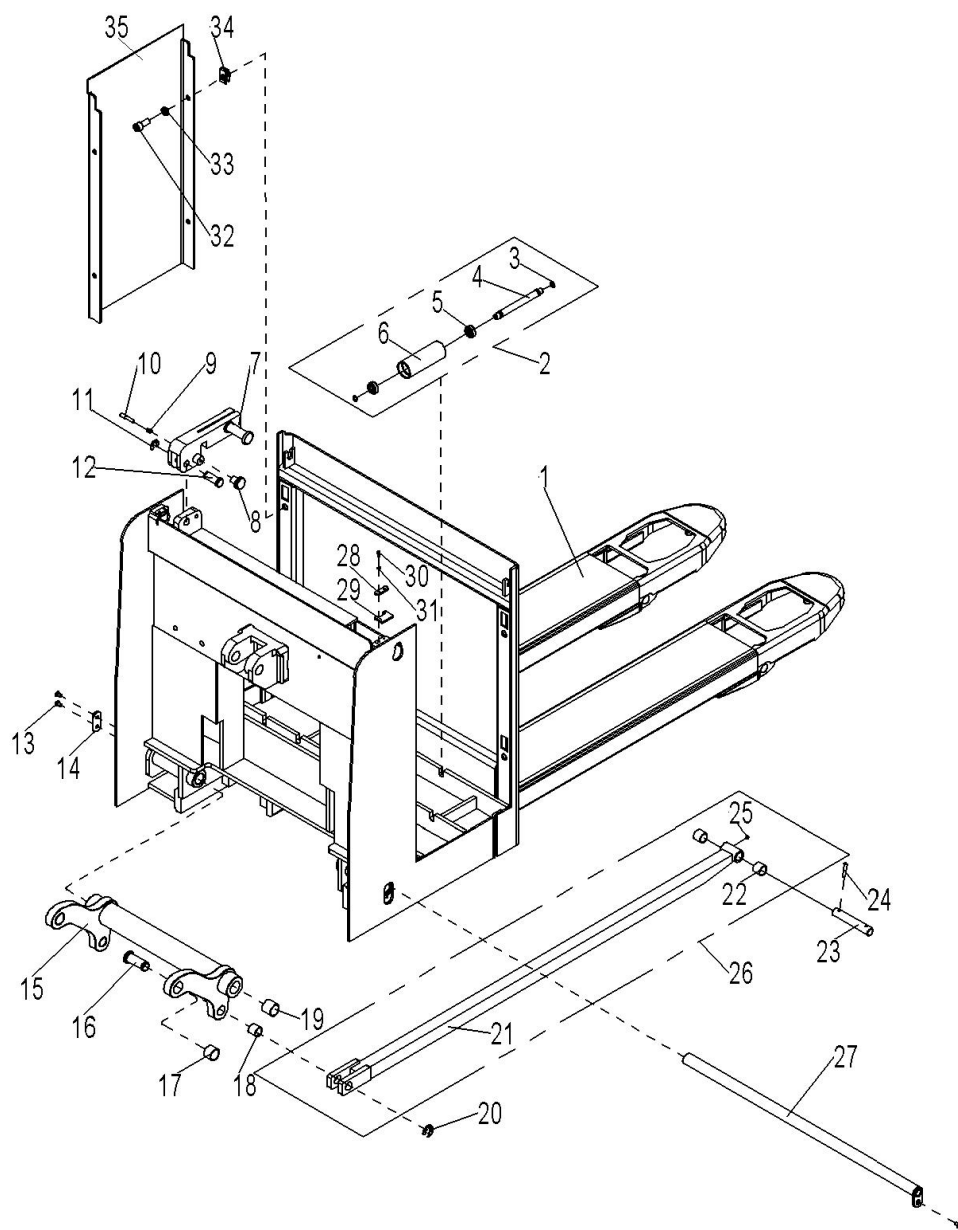


Fig.8 PT 25L Fork Frame

No.	Art No.	Item	Qty.	Note	Standard
26	9000010677	Pushing rod kit	2	1150	
	9000010942	Pushing rod kit	2	1220	
27	9000008048	Rock arm axle	1		
28	9000010678	Plate	2		
29	9000010679	Rubber block	2		
30	0000023304	Screw	4	M3x12	GB/T70.1=ISO4762
31	0000025003	Washer	4	3	GB/T93
32	0000023088	Screw	4	M10x25	GB/T70.1=ISO4762
33	0000023006	Washer	4	10	GB/T93
34	9000007783	Nut	1		
35	9000008270	Door plank	1		

Fig.9 Load roller(for EU)

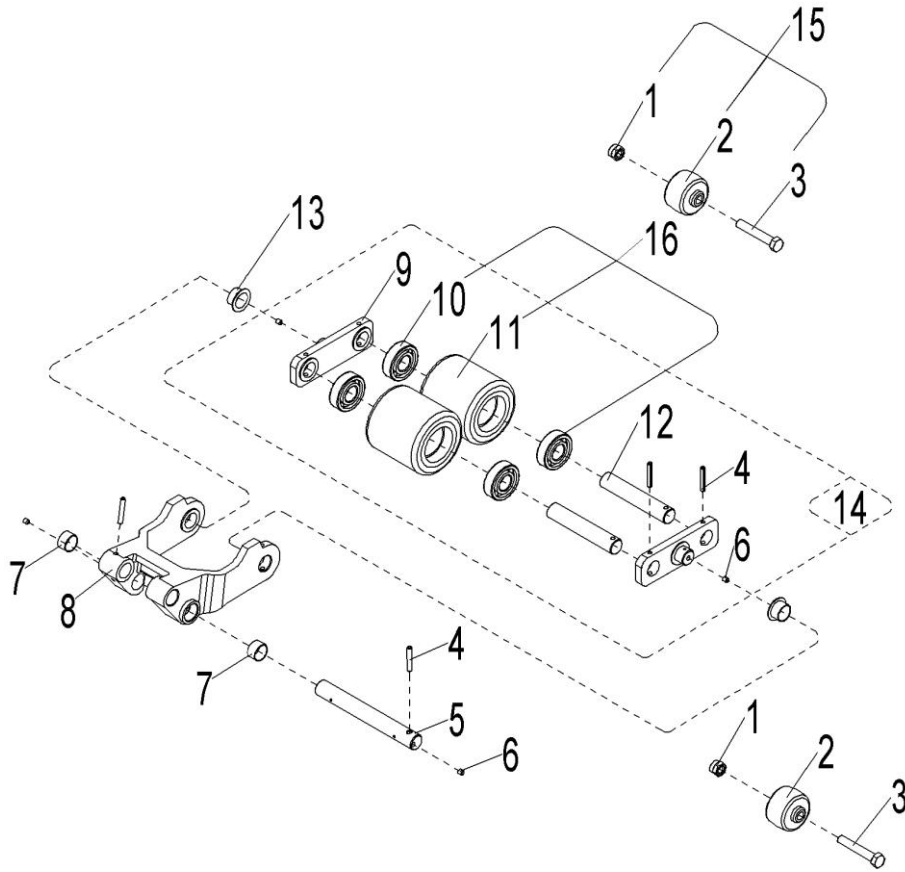


Fig.9 Load Roller(for EU)

No.	Art No.	Item	Qty.	Note	Standard
1	0000023005	Nut	2	M10	GB/T889.1=ISO7040
2	1000516001	Entry roller	2		
3	0000023004	Bolt	2	M10×60	GB/T5782=ISO4014
4	0000028009	Dowel pin	6/2(D/S)	5×35	GB/T879.1=ISO8752
5	9000008056	Lever block axle	2		
6	0000030001	Grease nipple	2	6	JB/T7940.4
7	0000027005	Bushing	4	20×22×12	
8	9000008054	Lever block	2		
9	9000008077	Linking block	4		
10	0000027001	Bearing	8/4(D/S)	6204	GB/T276=ISO3290
11	9000008791	Load roller	4(D)	84×84	
12	9000008076	Spindle	4(D)		
13	9000002333	Harness	4(D)	18×20×12	
14	9000008913	Load roller assembly	2		
15	9000010400	Entry roller kit	2		
16	9000010421	Wheel set kit	4		

Fig.10 PT 16L/PT20L Truck body assembly

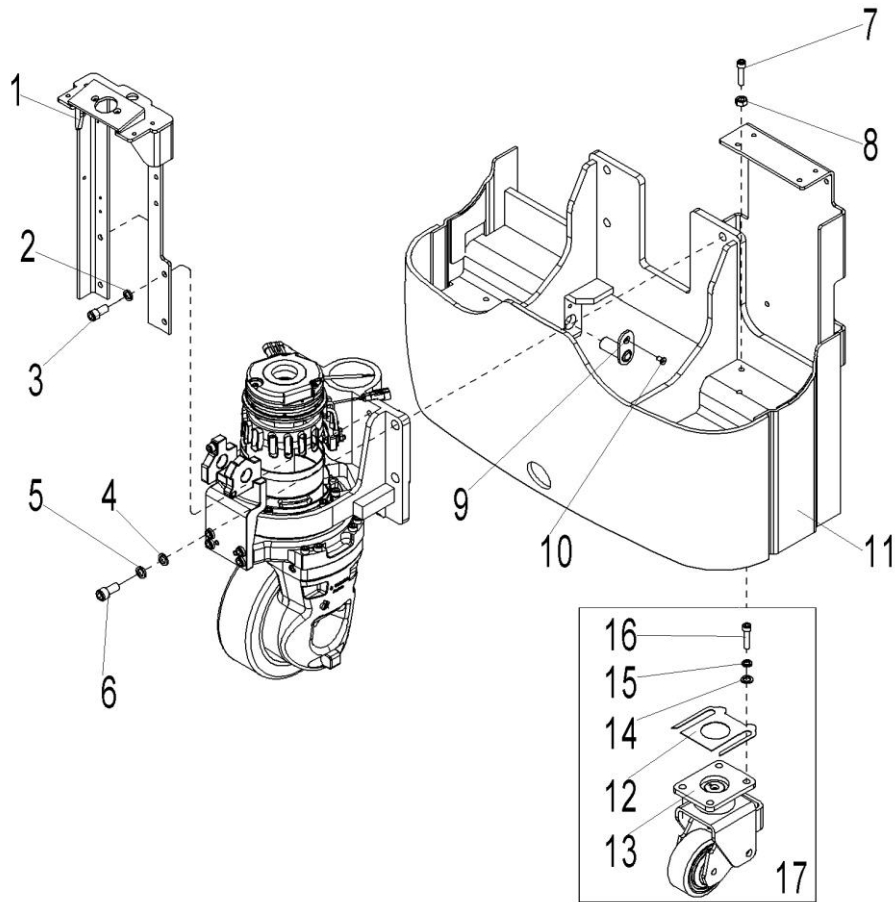


Fig.10 PT16L/PT20L Truck Body Assembly

No.	Art No.	Item	Qty.	Note	Standard
1	9000010680	Indicator seat	1		
2	0000025001	Washer	4	8	GB/T93
3	0000023067	Screw	4	M8x16	GB/T70.1=ISO4762
4	0000025029	Washer	4	16	GB/T95
5	0000025059	Washer	4	16	GB/T93
6	0000023583	Bolt	4	M16x45	GB/T5783= ISO4017
7	0000023214	Screw	2	M10x50	GB/T70.1=ISO4762
8	0000024013	Nut	2	M10	GB/T6170= ISO4032
9	9000008281	Fixing axle assembly	2		
10	0000023091	Screw	2	M6x12	GB/T70.3= ISO10642
11	9000010681	Truck body assembly	1		
12	1000404031	Adjusting washer	Several	1mm	
	1000404032	Adjusting washer		0.5mm	
13	9000010715	Steering wheel assembly	2		
14	0000025002	Washer	8	10	GB/T95
15	0000023006	Washer	8	10	GB/T93
16	0000023025	Screw	8	M10x40	GB/T70.1=ISO4762
17	9000011776	Steering wheel kit	2		

Fig.11 PT 25L Truck body assembly

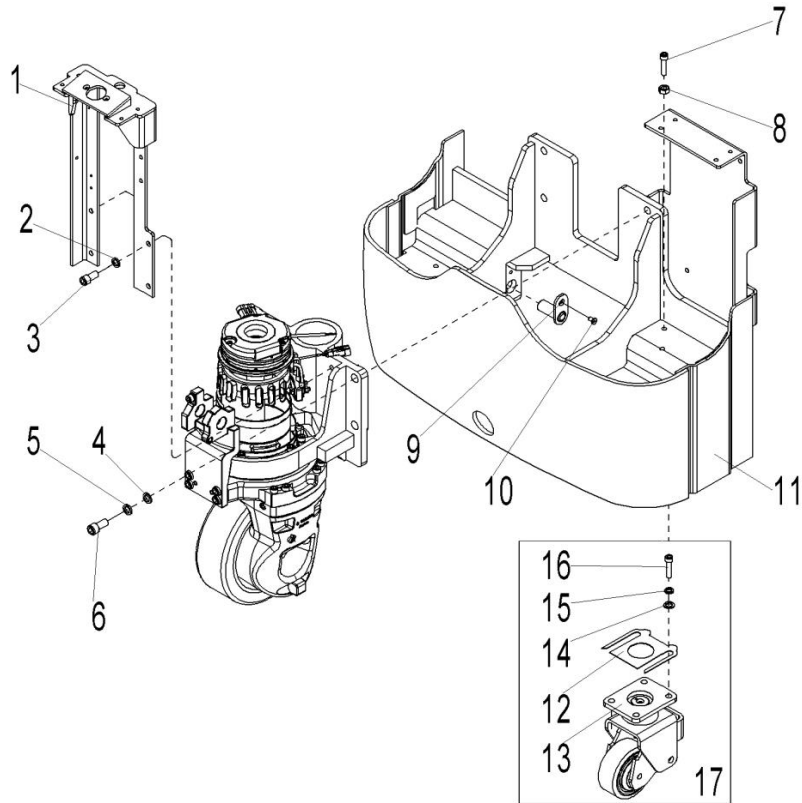


Fig.11 PT 25L Truck Body Assembly

No.	Art No.	Item	Qty.	Note	Standard
1	9000010717	Indicator seat	1		
2	0000025001	Washer	4	8	GB/T93
3	0000023067	Screw	4	M8x16	GB/T70.1=ISO4762
4	0000025029	Washer	4	16	GB/T95
5	0000025059	Washer	4	16	GB/T93
6	0000023583	Bolt	4	M16x45	GB/T5783=ISO4017
7	0000023214	Screw	2	M10x50	GB/T70.1=ISO4762
8	0000024013	Nut	2	M10	GB/T6170= ISO4032
9	9000008281	Fixing axle assembly	2		
10	0000023091	Screw	2	M6x12	GB/T70.3=ISO10642
11	9000010681	Truck body assembly	1		
12	1000404031	Adjusting washer	Several	1mm	
	1000404032	Adjusting washer		0.5mm	
13	9000010716	Steering wheel assembly	2		
14	0000025002	Washer	8	10	GB/T95
15	0000023006	Washer	8	10	GB/T93
16	0000023025	Screw	8	M10x40	GB/T70.1=ISO4762
17	9000011777	Steering wheel kit	2		

Fig.12 PT 16L Battery

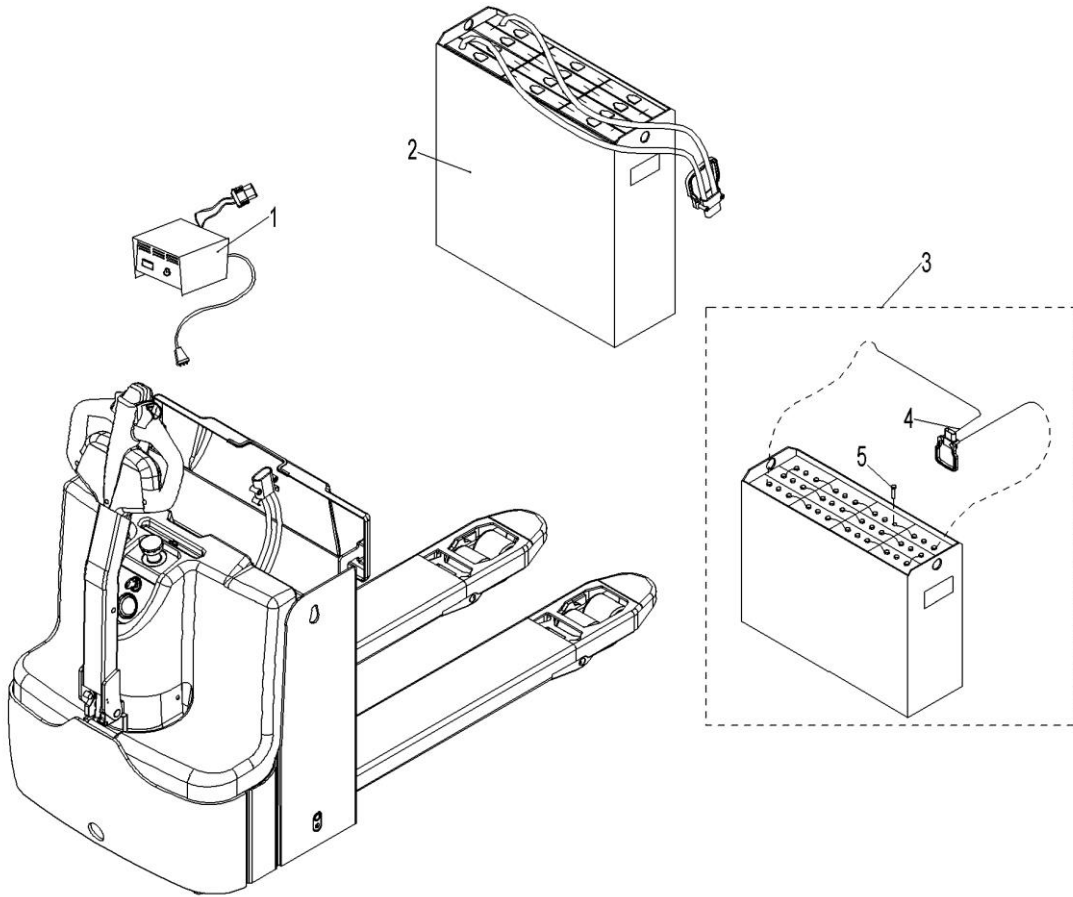


Fig.12 PT 16L Battery

No.	Art No.	Item	Qty.	Note	Standard
1	9000010002	Charger (Asia in Chinese)	1	24V/25A	
	9000010003	Charger (Asia in English)	1	24V/25A	
	9000010004	Charger (For EU)	1	24V/25A	
	9000010005	Charger (For AUS)	1	24V/25A	
	9000010006	Charger (For UK)	1	24V/25A	
	9000010007	Charger (For USA)	1	24V/25A	
2	9000010683	Power supply	1	bolt type	
3	9000010682	Power supply	1	Weld type	
4	9000010684	Connector	1	Only for bolt type battery	
5	9000009832	Screw	24	Only for bolt type battery	

Fig.13 PT 20L Battery

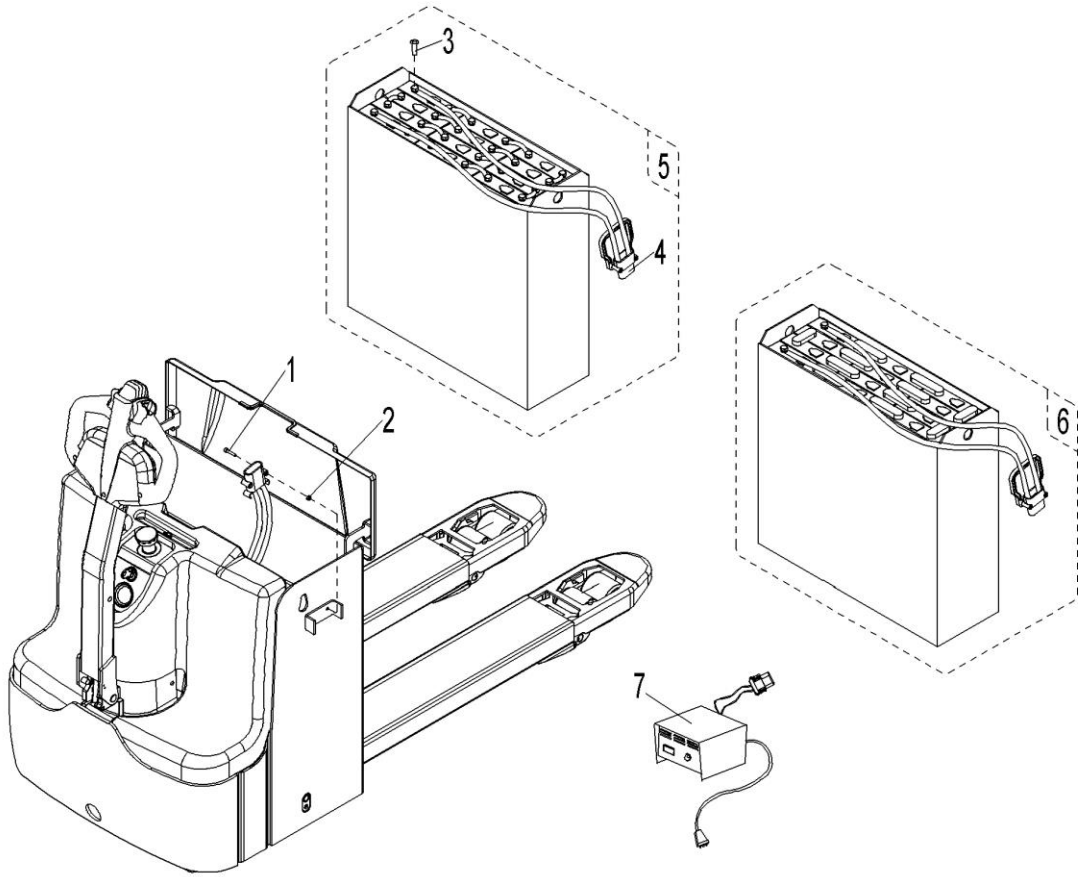


Fig.13 PT 20L Battery

No.	Art No.	Item	Qty.	Note	Standard
1	0000023090	Screw	2	M6x35	GB/T70.1-2008
2	0000024068	Nut	2	M6	GB/T6170= ISO4032
3	9000009832	Screw	24	Only for bolt type battery	
4	9000010685	Connector	1	Only for bolt type battery	
5	9000010686	Power supply	1	bolt type	
6	9000010687	Power supply	1	weld type	
7	9000010116	Charger (Asia in Chinese)	1	24V/30A	
	9000010117	Charger (Asia in English)	1	24V/30A	
	9000010118	Charger (For EU)	1	24V/30A	
	9000010120	Charger (For AUS)	1	24V/30A	
	9000010121	Charger (For UK)	1	24V/30A	
	9000010146	Charger (For USA)	1	24V/30A	

Fig.14 PT 20L Battery(side pulling)

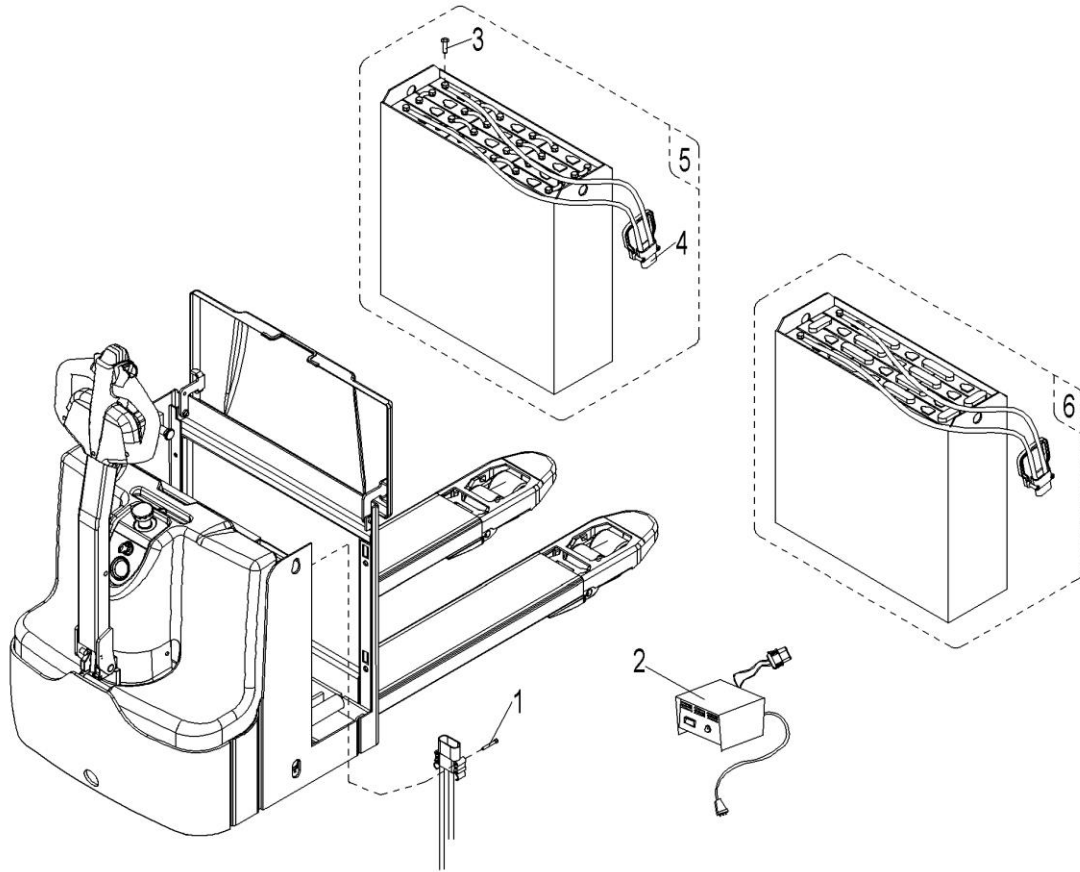


Fig.14 PT 20L Battery(side pulling)

No.	Art No.	Item	Qty.	Note	Standard
1	0000023719	Screw	2	M6x50	GB/T70.1=ISO4762
2	9000010116	Charger (Asia in Chinese)	1	24V/30A	
	9000010117	Charger (Asia in English)	1	24V/30A	
	9000010118	Charger (For EU)	1	24V/30A	
	9000010120	Charger (For AUS)	1	24V/30A	
	9000010121	Charger (For UK)	1	24V/30A	
	9000010146	Charger (For USA)	1	24V/30A	
3	9000009832	Screw	24	Only for bolt type battery	
4	9000010685	Connector	1	Only for bolt type battery	
5	9000010686	Power supply	1	bolt type	
6	9000010687	Power supply	1	weld type	

Fig.15 PT 25L Battery

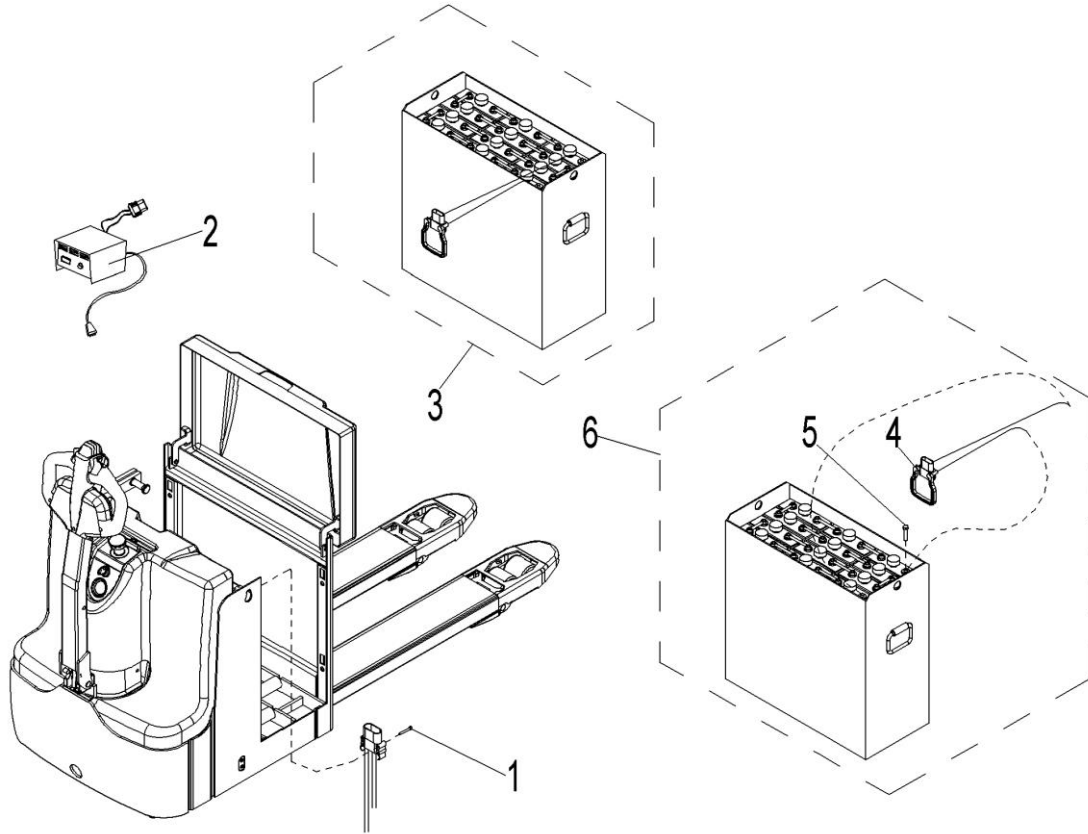


Fig.15 PT 25L Battery

No.	Art No.	Item	Qty.	Note	Standard
1	0000023719	Screw	2	M6x50	GB/T70.1=ISO4762
2	9000010014	Charger (Asia in Chinese)	1	24V/55A	
	9000010015	Charger (Asia in English)	1	24V/55A	
	9000010016	Charger (For EU)	1	24V/55A	
	9000010017	Charger (For AUS)	1	24V/55A	
	9000010018	Charger (For UK)	1	24V/55A	
	9000010019	Charger (For USA)	1	24V/55A	
3	9000010688	Power supply	1	weld type	
4	9000010689	Connector	1	Only for bolt type battery	
5	9000009832	Screw	24	Only for bolt type battery	
6	9000010690	Power supply	1	bolt type	

Fig.16 PT 16L Drive wheel

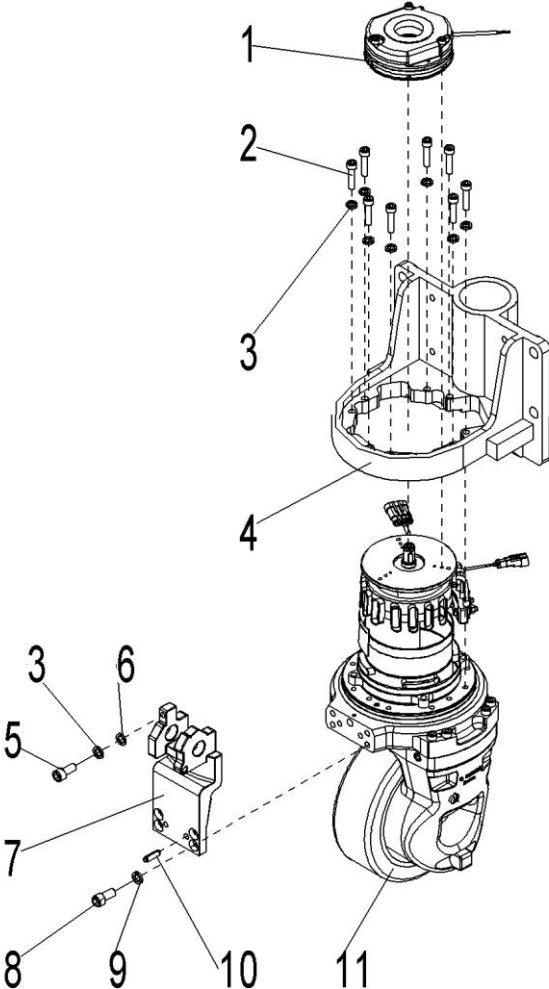


Fig.16 PT 16L Drive Wheel

No.	Art No.	Item	Qty.	Note	Standard
1	9000011342	Magnet brake	1		
2	0000023077	Screw	8	M8x40	GB/T70.1=ISO4762
3	0000025001	Washer	9	8	GB/T93
4	9000010933	Drive wheel seat	1		
5	0000023067	Screw	1	M8x16	GB/T70.1=ISO4762
6	0000025124	Washer	1	8	GB/T848
7	9000010691	Handle seat	1		
8	0000023034	Screw	4	M10x20	GB/T70.1=ISO4762
9	0000023006	Washer	4	10	GB/T93
10	0000028116	Dowel pin	2	8x26	GB/T879.1=ISO8752
11	9000010249	AC drive assembly	1		

Fig.17 PT20L Drive wheel

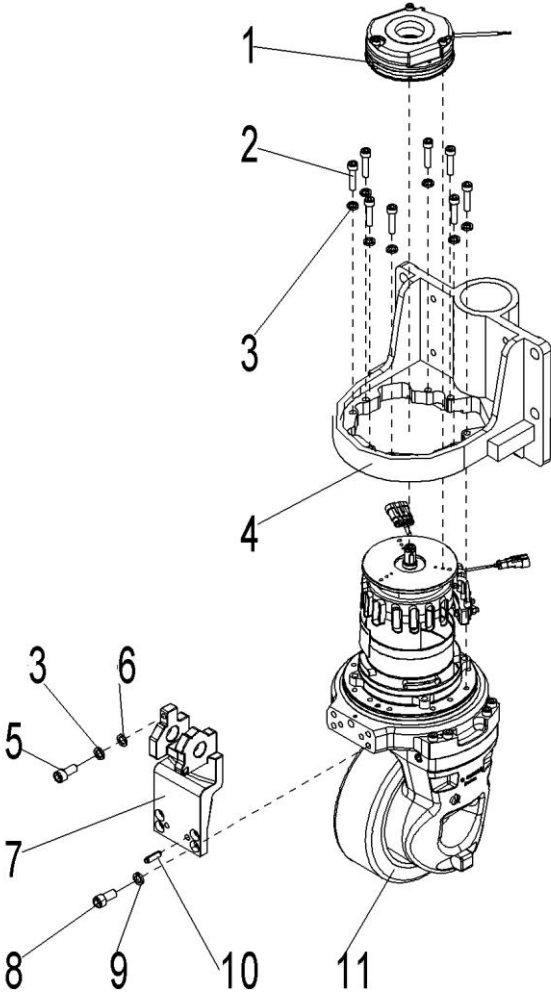


Fig.17 PT20L Drive Wheel

No.	Art No.	Item	Qty.	Note	Standard
1	9000011341	Magnet brake	1		
2	0000023077	Screw	8	M8x40	GB/T70.1=ISO4762
3	0000025001	Washer	9	8	GB/T93
4	9000010933	Drive wheel seat	1		
5	0000023067	Screw	1	M8x16	GB/T70.1=ISO4762
6	0000025124	Washer	1	8	GB/T848
7	9000010691	Handle seat	1		
8	0000023034	Screw	4	M10x20	GB/T70.1=ISO4762
9	0000023006	Washer	4	10	GB/T93
10	0000028116	Dowel pin	2	8x26	GB/T879.1=ISO8752
11	9000010249	AC drive assembly	1		

Fig.18 PT 25L Drive wheel

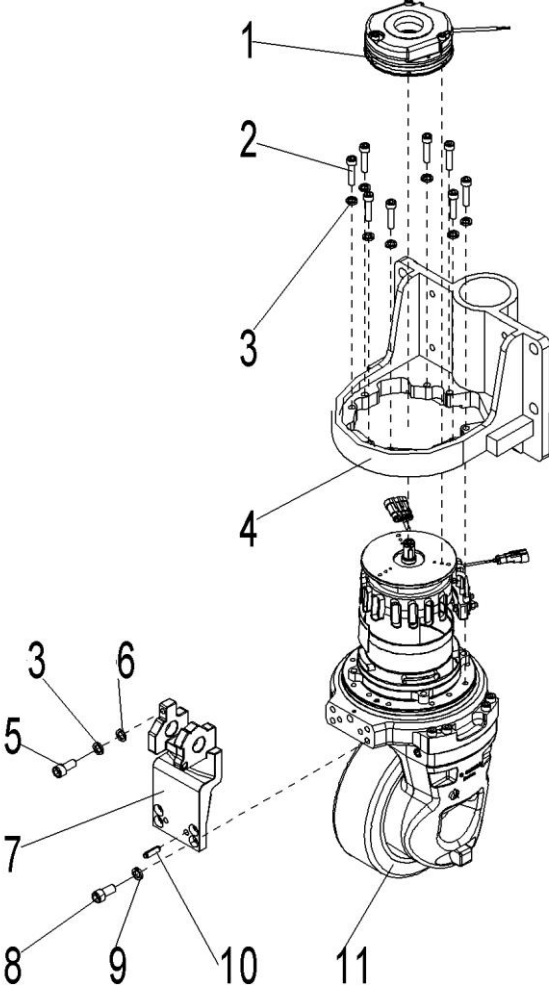


Fig.18 PT 25L Drive Wheel

No.	Art No.	Item	Qty.	Note	Standard
1	9000011340	Magnet brake	1		
2	0000023077	Screw	8	M8x40	GB/T70.1=ISO4762
3	0000025001	Washer	9	8	GB/T93
4	9000010692	Drive wheel seat	1		
5	0000023067	Screw	1	M8x16	GB/T70.1=ISO4762
6	0000025124	Washer	1	8	GB/T848
7	9000011355	Handle seat	1		
8	0000023034	Screw	4	M10x20	GB/T70.1=ISO4762
9	0000023006	Washer	4	10	GB/T93
10	0000028116	Dowel pin	2	8x26	GB/T879.1=ISO8752
11	9000010250	AC drive assembly	1		

Fig.19 Steering wheel

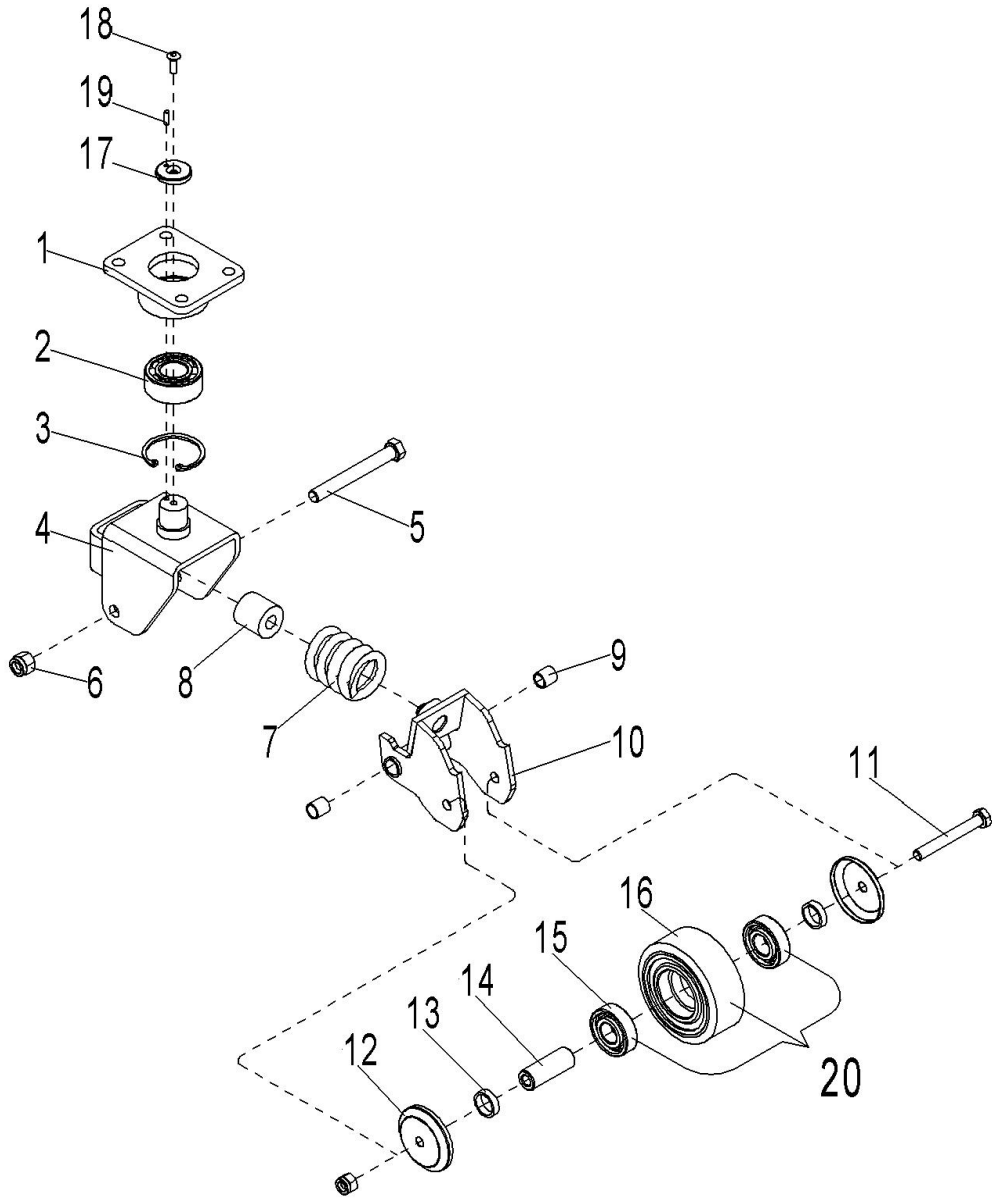


Fig.19 Steering Wheel

No.	Art No.	Item	Qty.	Note	Standard
1	9000011774	Linking plate	2		
2	0000027002	Bearing	2	3056205	GB/T296
3	0000026002	Circlip	2	52	GB/T893.1
4	1000401006	Wheel frame	2		
5	1000423004	Screw	2	M12×100	
6	0000024006	Nut	2	M12	GB/T889.1=ISO7040
7	1000431002	Spring	2	6×62	
	1000431001	Spring	2	9×62	
8	1000419001	Spring	2		
9	1000413002	Bushing	4	12×15×15	
10	1000401008	Rotating arm	2		
11	0000023035	Bolt	2	M10×80	GB/T5782=ISO4014
12	1000404023	Dust cover	4		
13	1000425003	Washer	4		
14	1000402005	Bushing	2		
15	0000027001	Bearing	4	6204	GB/T276
16	1000403008	Castor	2	100×40	
17	1000426001	Circlip	2		
18	1000523002	Screw	2	M6×14	
19	0000028004	Dowel pin	2	4×14	GB/T119.2=ISO2338
20	9000008903	Wheel set kit	2		

Fig.20 Handle assembly

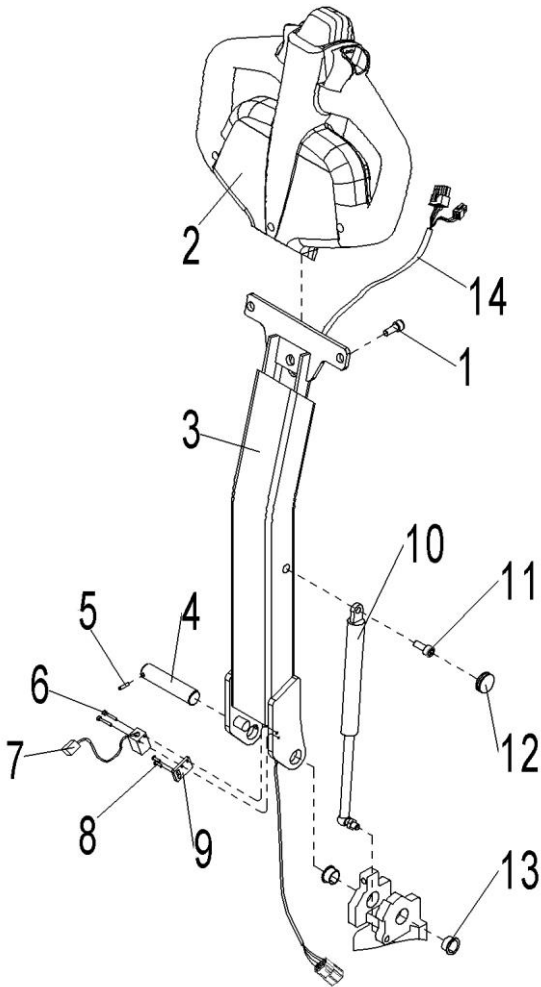


Fig.20 Handle Assembly

No.	Art No.	Item	Qty.	Note	Standard
1	0000023047	Screw	2	M8x25	GB/T70.1=ISO4762
2	1100100001	Canbus handle C	1	94300-90	
3	9000010693	Handle arm	1		
4	9000010694	Rotating arm	1		
5	0000028024	Dowel pin	1	4X16	GB/T 879.1
6	0000023075	Screw	2	M3x20	GB/T70.1=ISO4762
7	900000832	9 switch	1		
8	0000023056	Screw	2	M4x12	GB/T70.1=ISO4762
9	9000010695	Switch baseplate	1		
10	9000011289	Spring	1		
11	0000023044	Screw	1	M8x20	GB/T70.1=ISO4762
12	9000010696	Bushing	1		
13	0000013002	Harness	2	20X22X12	
14	9000010635	Handle control wiring harness	1		

Fig.21 Canbus Handle

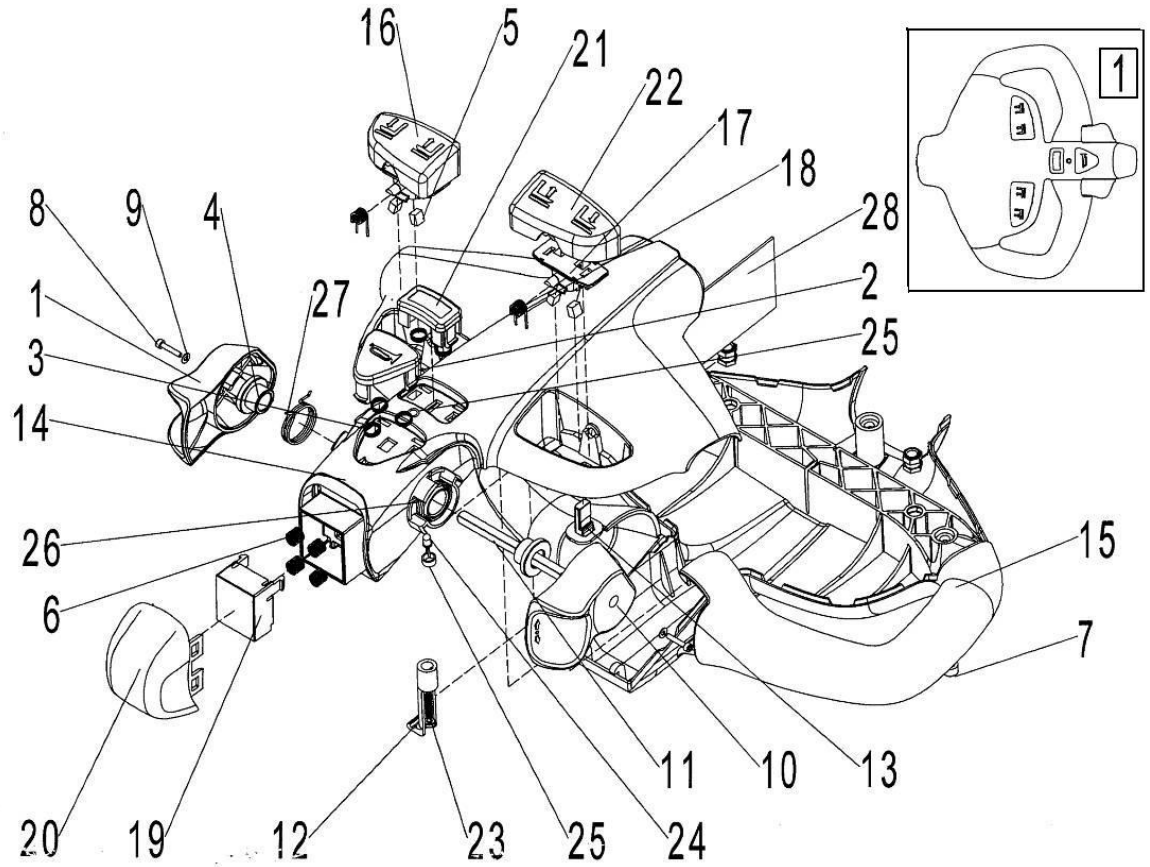


Fig.21 Canbus Handle

No.	Art No.	Item	Qty.	Note	Standard
1	1010114001	Left drive knob	1		
2	1000114015	Hon button	1		
3	1000131009	Hon button spring	5		
4	1000113004	Camshaft bushing	2		
5	1000137001	Magnet body	4	▲	
6	1000131010	Emergency reverse button spring	4		
7	0000023058	Screw	3		GB/T70.1=ISO4762
8	0000023057	Screw	2		GB/T70.1=ISO4762
9	0000025017	Washer	2		GB/T95
10	1010114003	Right drive knob	1		
11	1000107002	Drive knob axle	1		
12	1000137002	PCB clip	1		
13	1000134005	Sensor	2		
14	1000103012	Upper part of the handle	1		
15	1000103013	Lower part of the handle	1		
16	1000114017	Left button	1		
17	1000137003	Magnet fixing seat	2		
18	1000131011	Torsional spring	2		
19	1000114018	Emergency reverse spring button seat	1		
20	1000114020	Emergency reverse spring button cover	1		
21	1000114021	Switch cover	1		
22	1000114022	Right button	1		
23	0000023060	Screw	1	ST4.2X25	GB/T845= ISO 7040
24	1000134006	LED Bi-color light	1		
25	1000103014	LED Bi-color light seat	1		
26	1000131012	Right drive knob torsional spring	1		
27	1000131013	Left drive knob torsional spring	1		
28	1100135001	PCB	1		

Fig.22 PT 16L/PT20L Hydraulic assembly

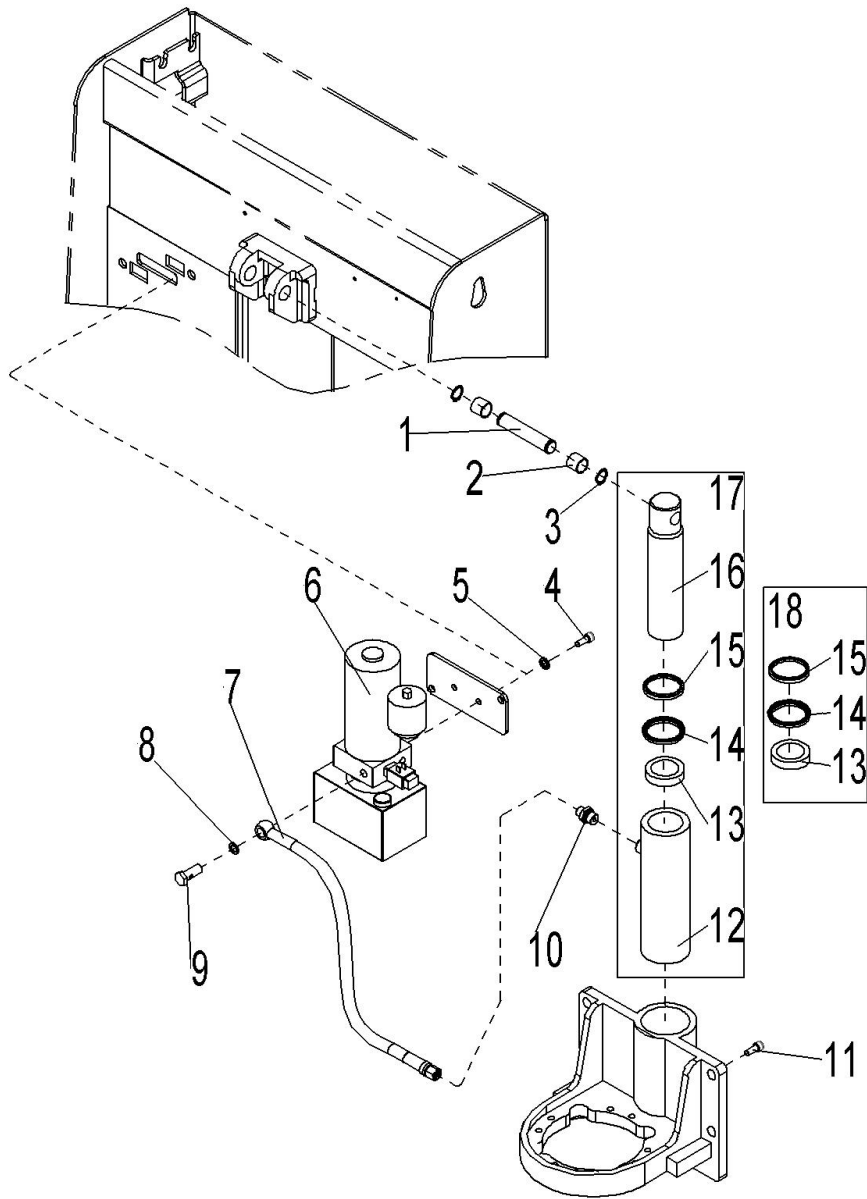


Fig.22 PT 16L/PT20L Hydraulic Assembly

No.	Art No.	Item	Qty.	Note	Standard
1	1020407001	Cylinder short axle	1		
2	0000013001	Bushing	2	20x23x20	
3	0000026003	Circlip	2	20	GB/T894.1
4	0000023067	Screw	2	M8x16	GB/T70.1=ISO4762
5	0000025001	Washer	2	8	GB/T93
6	9000010800	DC power unit	1		
7	9000010881	Hydraulic hose	1		
8	9000007280	Seal washer	1		
9	9000010697	Bolt	1		
10	9000007843	Joint	1		
11	0000023034	Screw	1	M10x20	GB/T70.1=ISO4762
12	9000010698	Cylinder body	1		
13	9000010699	Supporting ring	1	50X55X15	
14	9000010700	Y seal ring	1	50X60X6/7	
15	9000010701	Dust cover	1	50X58X5/6.5	
16	9000010702	Piston rod	1		
17	9000010703	Cylinder assembly	1		
18	9000010704	Seal kit	1		

Fig.23 PT 25L Hydraulic assembly

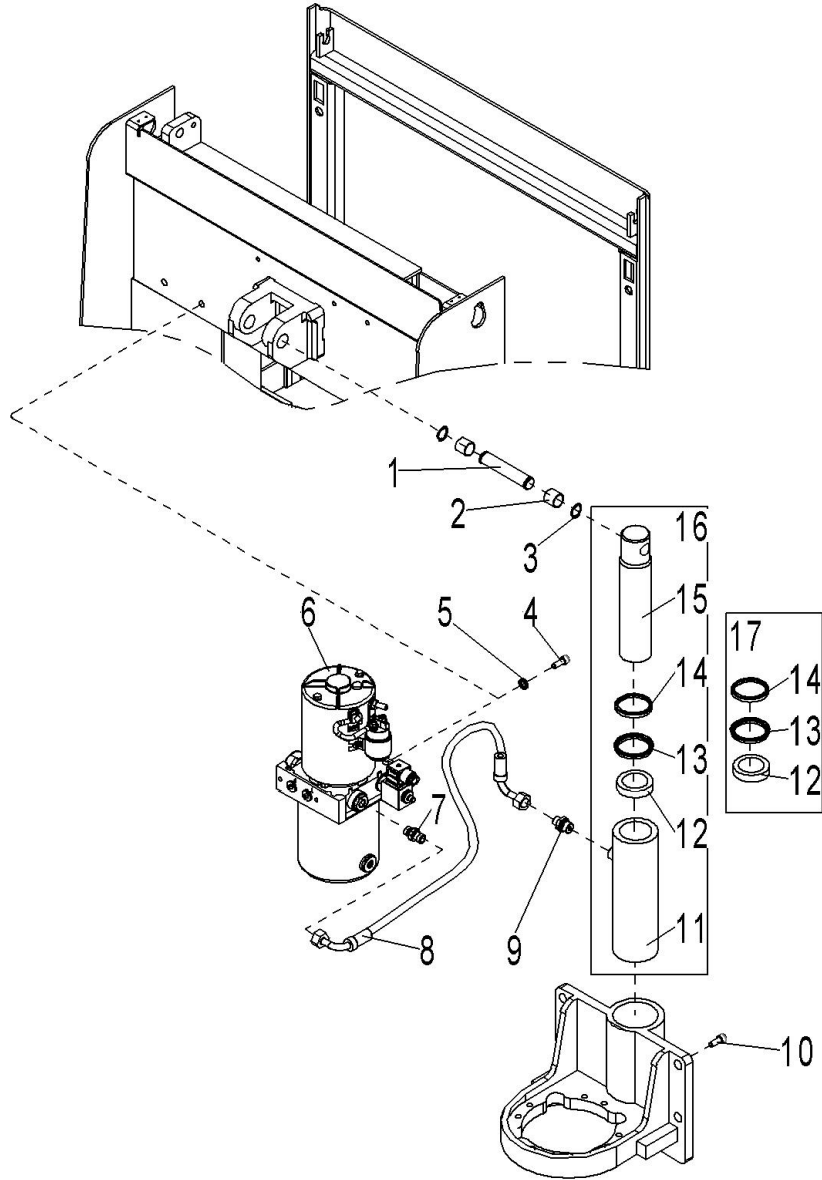


Fig.23 PT 25L Hydraulic Assembly

No.	Art No.	Item	Qty.	Note	Standard
1	1020407001	Cylinder short axle	1		
2	0000013001	Bushing	2	20x23x20	
3	0000026003	Circlip	2	20	GB/T894.1
4	0000023158	Screw	2	M10x30	GB/T70.1=ISO4762
5	0000023006	Washer	2	10	GB/T93
6	9000010801	DC power unit	1		
7	9000007831	G straight joint	1		
8	9000010882	U hose assembly	1		
9	9000007843	Joint	1		
10	0000023034	Screw	1	M10x20	GB/T70.1=ISO4762
11	9000010705	Cylinder body	1		
12	9000010706	Supporting ring	1	56X61X15	
13	9000010181	Y ring	1	56X66X10/11	
14	9000010180	Dust ring	1	56X64X5/6.5	
15	9000010707	Piston rod	1		
16	9000010708	Cylinder assembly	1		
17	9000010709	Seal kits	1		

Fig.24 0.8KW Pump

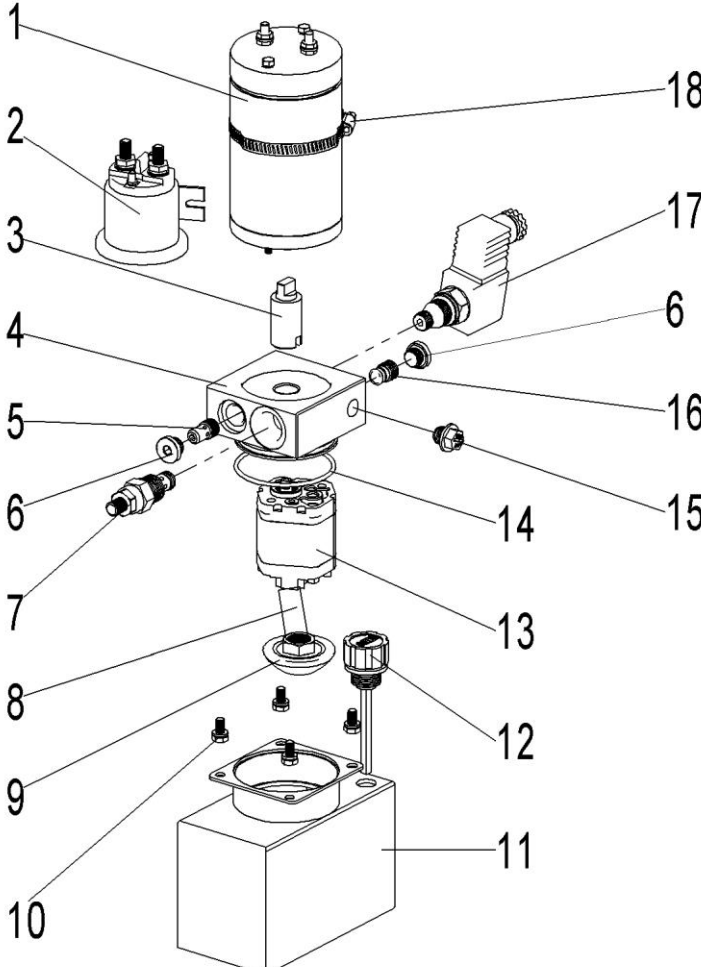


Fig.24 0.8KW Pump

No.	Art No.	Item	Qty.	Note	Standard
1	9000010883	DC motor	1		
2	9000010208	Start switch	1		
3	9000010884	Shaft coupling	1		
4	9000010885	Valve	1		
5	9000010886	Valve	1		
6	9000010887	Plug	2		
7	9000010888	Overflow valve	1		
8	9000010889	Elbow	1		
9	9000010890	Strainer	1		
10	9000010891	Bolt	4		
11	9000010892	Cylinder	1		
12	9000010893	Cylinder cover	1		
13	9000010894	Gear pump	1		
14	9000010895	O ring	1		
15	9000010896	Plug	2		
16	9000010897	Check valve	1		
17	9000010898	Magnet valve	1		
18	9000010899	Hoop	1		

Fig. 25 2.2KW Pump

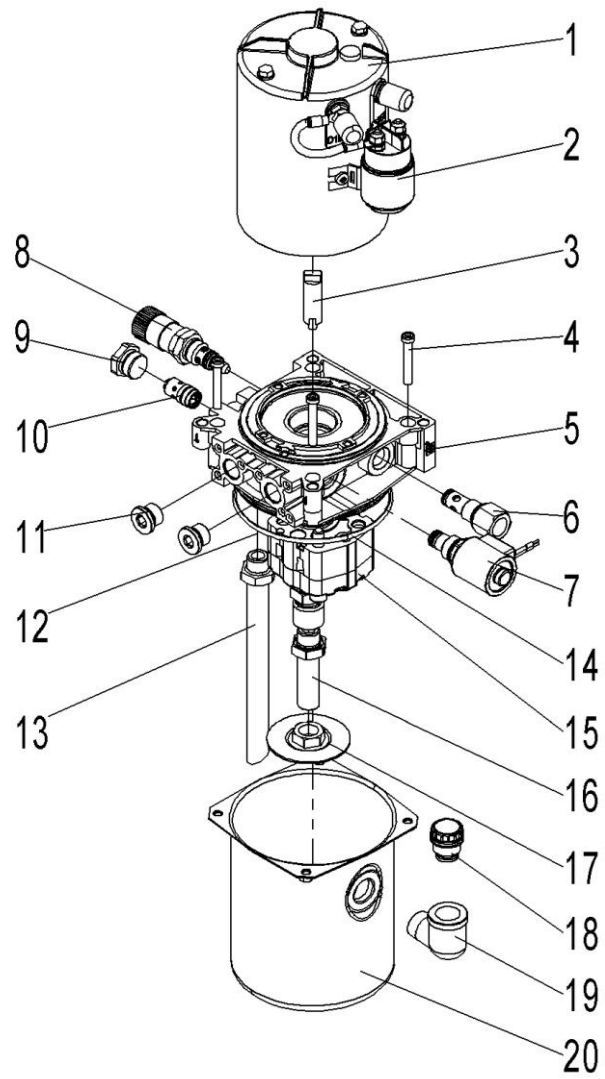


Fig. 25 2.2KW Pump

No.	Art No.	Item	Qty.	Note	Standard
1	9000010900	Motor	1	24V 2.2KW	
2	9000008868	Pump contactor	1	24V 120A	
3	9000010901	Shaft coupling	1		
4	9000010902	Screw	4	M6X40	
5	2000300002	Valve	1	G3/8	
6	9000010903	Check valve	1	P1	
7	9000010904	Magnet valve	1	24V DL	
8	2040315003	Overflow valve	1	>150BAR	
9	2000323003	Mc handle plug	1		
10	9000010905	Throttle valve	1	6L/min	
11	9000010906	Screw plug	2	G3/8	
12	9000008872	Pipe	1		
13	9000010907	Oil return pipe	1		
14	9000010908	Seal ring	1	110.72*3.53	
15	9000010909	Gear pump	1	2.2cc	
16	9000010910	Oil suction pipe	1		
17	9000010911	Filter D63	1	D63	
18	9000010912	Air cleaner	1		
19	9000010913	Oil filling point	1		
20	9000010914	Cylinder	1	1L steel	

Fig. 26 PT 16L/PT20L Electrical assembly

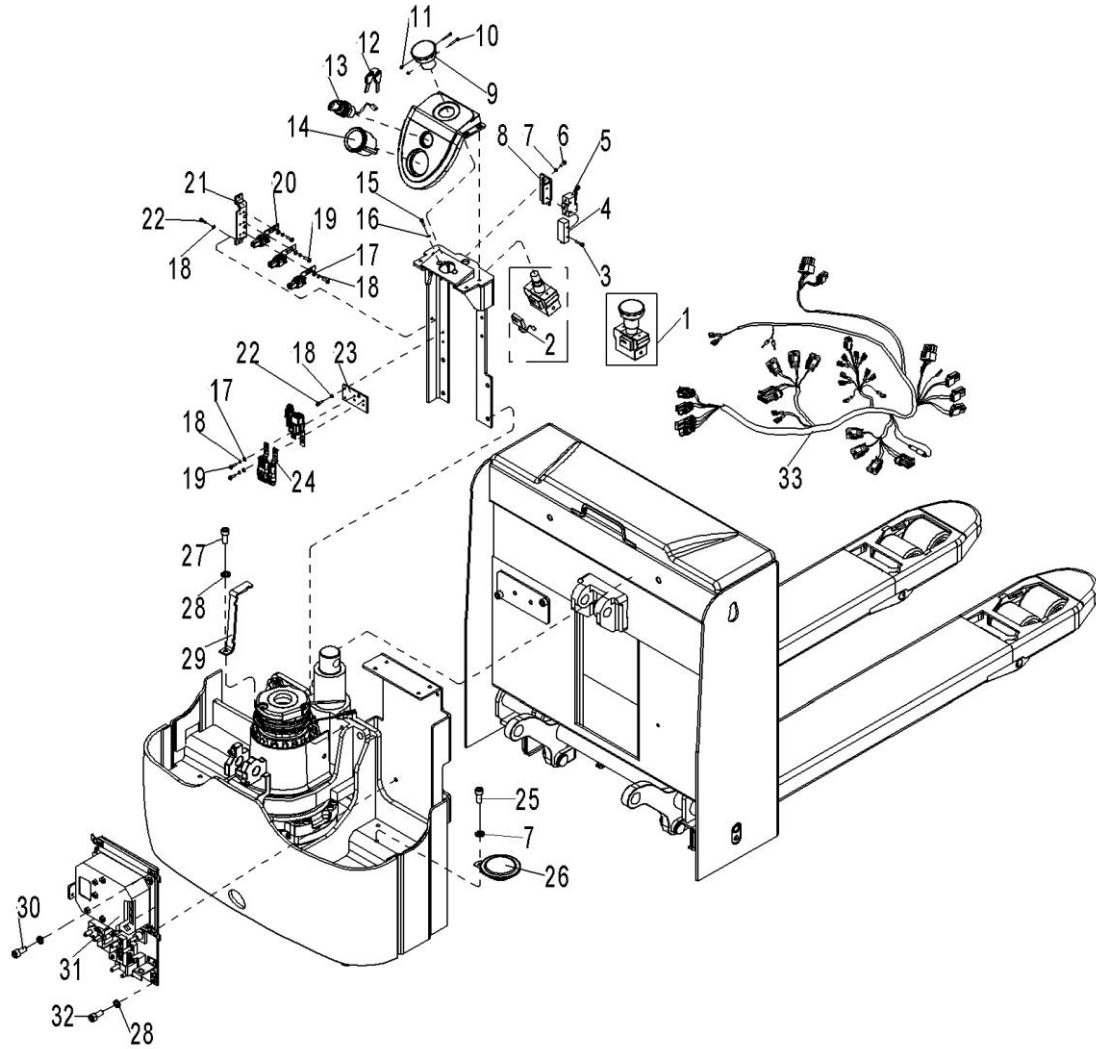


Fig.26 PT 16L/PT20L Electrical Assembly

No.	Art No.	Item	Qty.	Note	Standard
1	9000008515	DC power switch	1	ZDK32-350	
2	9000008517	DC power switch	1		
3	0000023043	Screw	2	M4x25	GB/T818= ISO7045
4	2040603002	Protective cover	1		
5	9000000794	Micro switch	1	RZ-15GW2S-B3	
6	0000023053	Screw	2	M6x12	GB/T70.1=ISO4762
7	0000025006	Washer	3	6	GB/T93
8	9000010710	Assembly plate	1		
9	9000008516	DC power switch	1	ZDK32-350	
10	0000023685	Screw	2	M3x25	GB/T818= ISO7045
11	0000024002	Nut	2	M3	GB/T6170= ISO4032
12	9000008519	Key switch	1	LKS-101A	
13	9000008326	Key switch	1	LKS-101A	
14	1000434025	Indicator	1	CURTIS 803	
15	0000023107	Screw	2	M5x16	GB/T70.1=ISO4762
16	0000025015	Washer	2	5	GB/T93
17	0000025019	Washer	2	4	GB/T95
18	0000025018	Washer	9	4	GB/T93
19	0000023016	Screw	5	M4x12	GB/T818= ISO7045
20	1000204002	AMP connector seat	4		
21	9000010711	Plate	1		
22	0000023056	Screw	4	M4x12	GB/T70.1=ISO4762
23	9000010712	Plate	1		
24	9000007981	Connector seat	3		
25	0000023020	Screw	2	M6x20	GB/T70.1=ISO4762
26	1000434015	Horn	1	DC24V	
27	0000023067	Screw	1	M8x16	GB/T70.1=ISO4762
28	0000025001	Washer	5	8	GB/T93
29	9000010714	Wire seat	1		

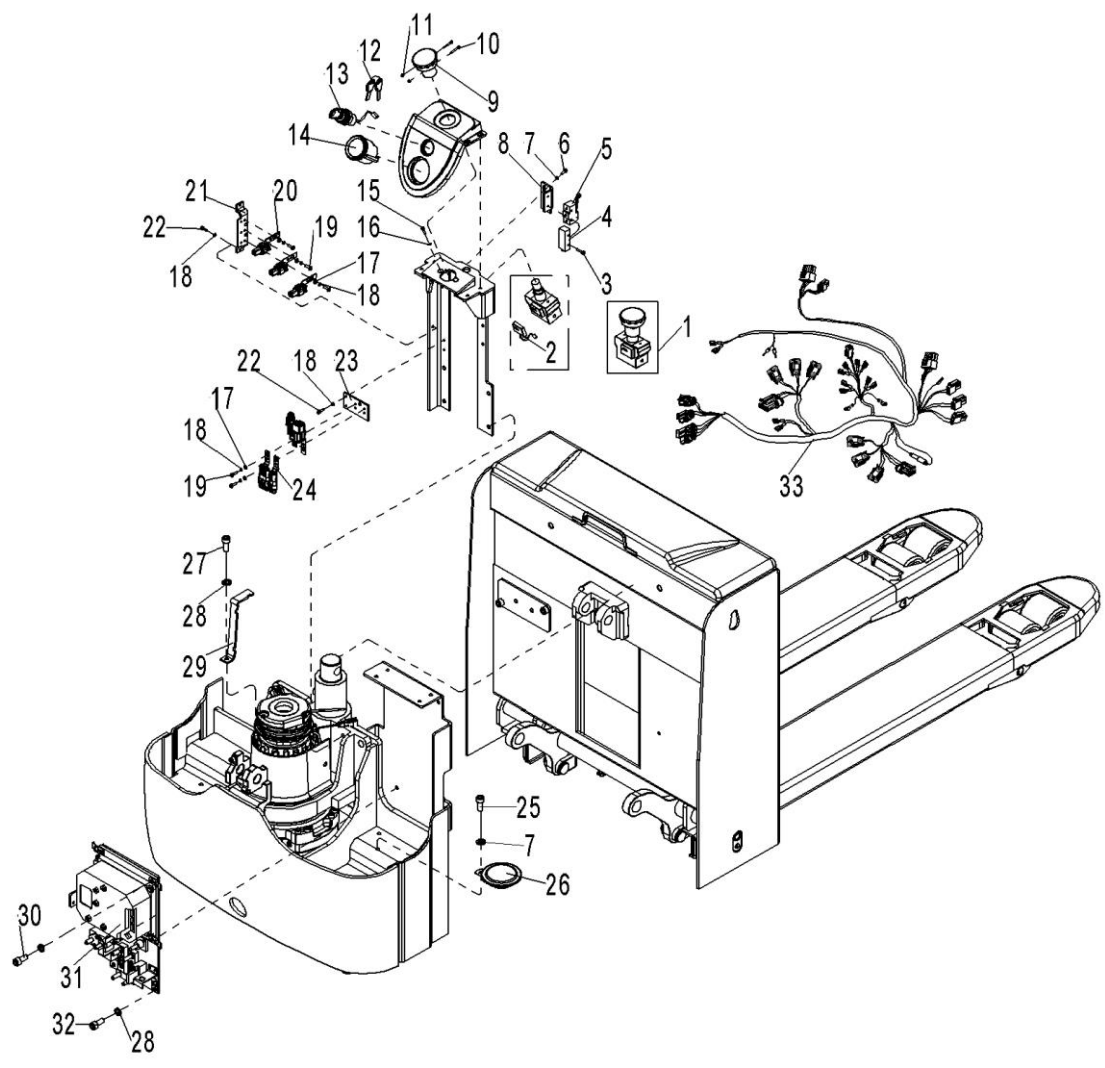


Fig.26 PT 16L/PT20L Electrical Assembly

No.	Art No.	Item	Qty.	Note	Standard
30	0000023172	Screw	2	M8×30	GB/T70.1=ISO4762
31	9000010644	Electrical control assembly	1		
32	0000023047	Screw	2	M8×25	GB/T70.1=ISO4762
33	9000010634	Main control cable	1		

Fig.27 PT 25L Electrical assembly



Fig.27 PT 25L Electrical Assembly

No.	Art No.	Item	Qty.	Note	Standard
1	9000008515	DC power switch	1	ZDK32-350	
2	9000008517	DC power switch	1		
3	0000023043	Screw	2	M4x25	GB/T818= ISO7045
4	2040603002	Protective cover	1		
5	9000000794	Micro switch	1	RZ-15GW2S-B3	
6	0000023053	Screw	2	M6x12	GB/T70.1=ISO4762
7	0000025006	Washer	3	6	GB/T93
8	9000010710	Assembly plate	1		
9	9000008516	DC power switch	1	ZDK32-350	
10	0000023685	Screw	2	M3x25	GB/T818= ISO7045
11	0000024002	Nut	2	M3	GB/T6170= ISO4032
12	9000008519	Key switch	1	LKS-101A	
13	9000008326	Key switch	1	LKS-101A	
14	1000434025	Indicator	1	CURTIS 803	
15	0000023107	Screw	2	M5x16	GB/T70.1=ISO4762
16	0000025015	Washer	2	5	GB/T93
17	0000025019	Washer	3	4	GB/T95
18	0000025018	Washer	10	4	GB/T93
19	0000023016	Screw	6	M4x12	GB/T818= ISO7045
20	1000204002	AMP connector seat	5		
21	9000010711	Plate	1		
22	0000023056	Screw	4	M4x12	GB/T70.1=ISO4762
23	9000010712	Plate	1		
24	9000007981	Connector seat	3		
25	0000023020	Screw	2	M6x20	GB/T70.1=ISO4762
26	1000434015	Horn	1	DC24V	
27	0000023067	Screw	1	M8x16	GB/T70.1=ISO4762
28	0000025001	Washer	5	8	GB/T93
29	9000010714	Wire seat	1		

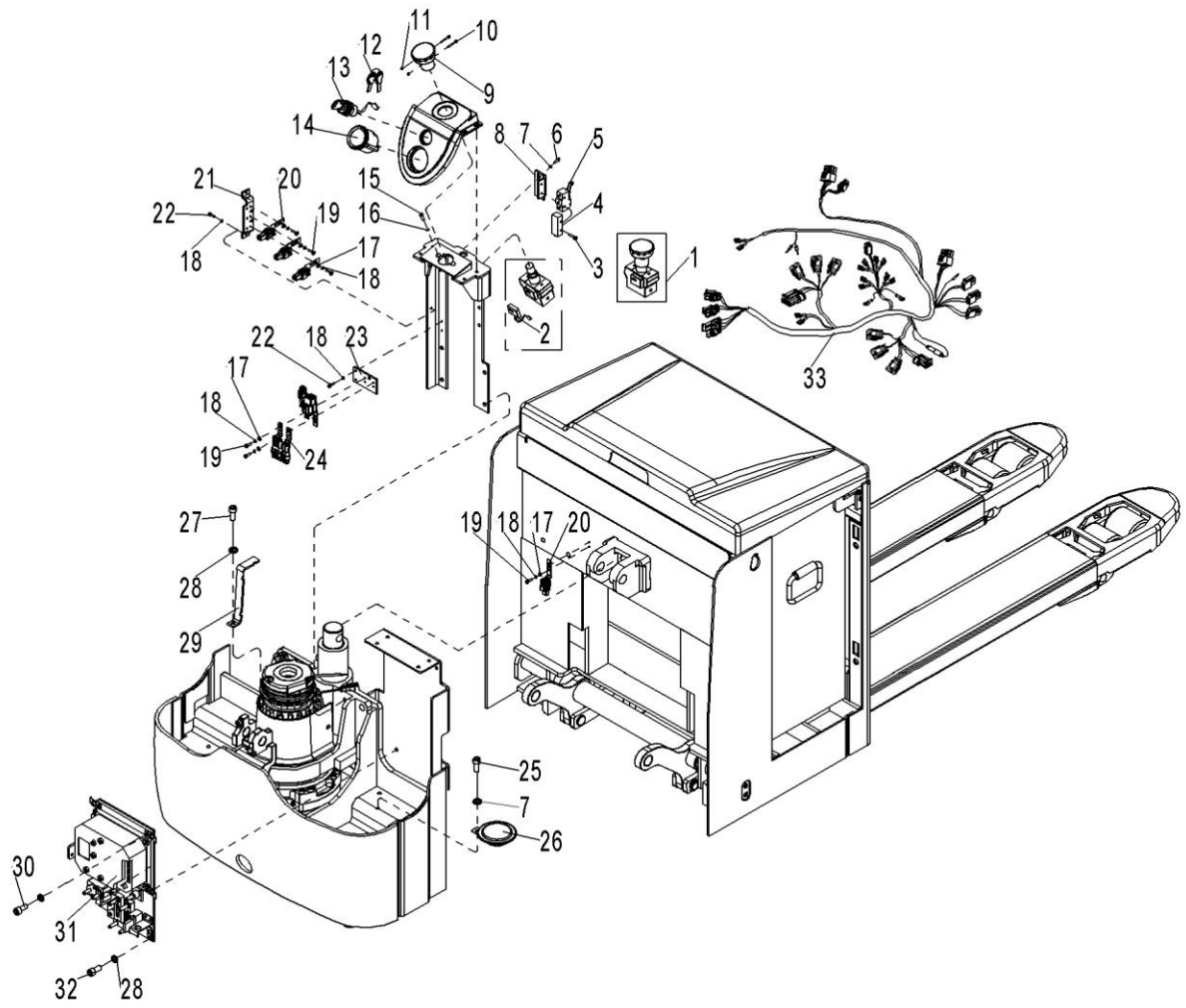


Fig.27 PT 25L Electrical Assembly

No.	Art No.	Item	Qty.	Note	Standard
30	0000023172	Screw	2	M8x30	GB/T70.1=ISO4762
31	9000010644	Electrical control components	1		
32	0000023047	Screw	2	M8x25	GB/T70.1=ISO4762
33	9000010797	Main control cable	1		

Fig.28 Electrical control assembly

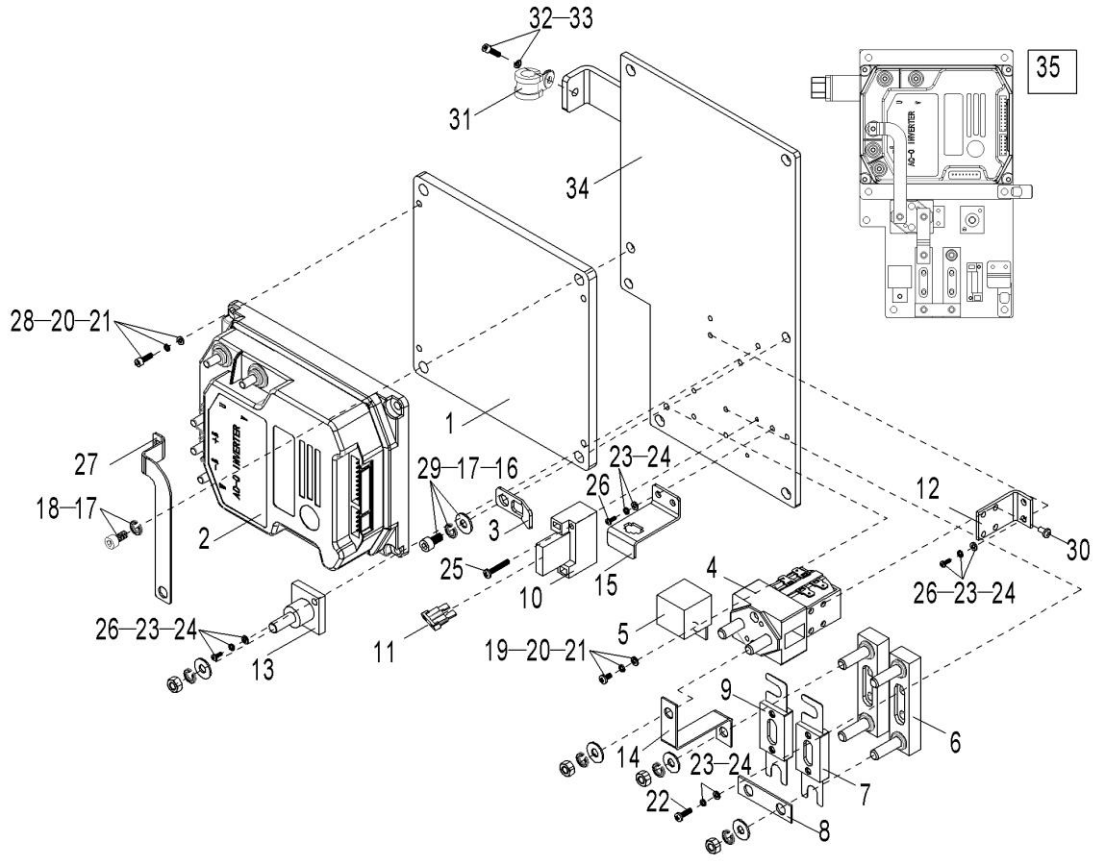


Fig.28 PT 25L Electrical Control Assembly

No.	Art No.	Item	Qty.	Note	Standard
1	9000010645	Aluminium plate	1		
2	9000008889	Controller	1	AC-0-24V/200A	
3	9000009791	Line hanging board	3		
4	1000434006	Traction motor contactor	1	C100/120 DC24V	
5	1000434041	Pump contactor	1	ACR01F-F-1AD DC24V	
6	1000434007	Fuse seat	2	SY Y	
7	1010434005	Fuse	1	80A	
8	9000010643	Copper bar	1		
9	2210434004	Fuse	1	150A	
10	1000434021	Fuse seat	1	BD-1X10A	
11	1000434040	Fuse	2	10A	
12	9000008598	Main contactor assembly plate	1		
13	1020434002	M 8terminal	1	BD-M8	
14	9000008374	Copper bar	1		
15	9000007679	Fixing frame	1		
16	0000025005	Washer	1	8	GB/T95
17	0000025004	Washer	2	8	GB/T93
18	0000023013	Screw	1	M8x16	GB/T70.1=ISO4762
19	0000023516	Screw	1	M5x10	GB/T818= ISO7045
20	0000025015	Washer	5	5	GB/T93
21	0000025014	Washer	5	5	GB/T95
22	0000023211	Screw	4	M4x16	GB/T818= ISO7045
23	0000025018	Washer	10	4	GB/T93
24	0000025019	Washer	10	4	GB/T95

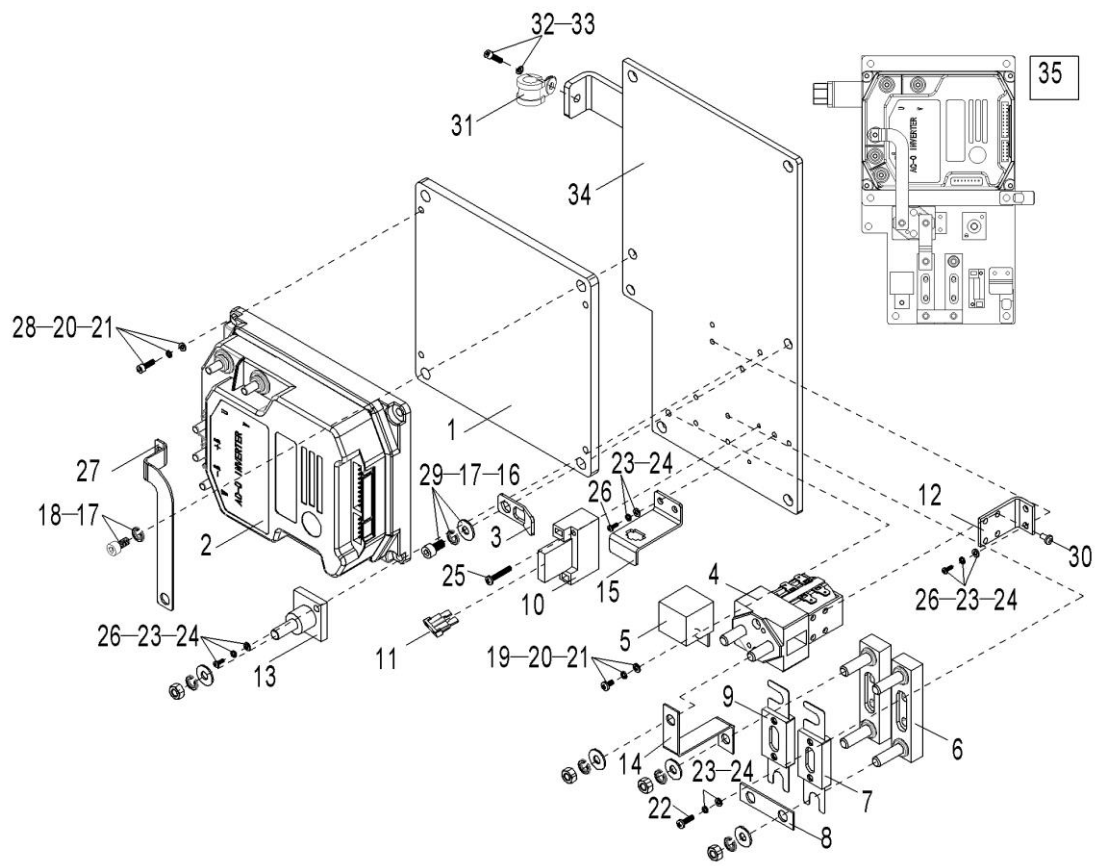


Fig.28 PT 25L Electric Control Assembly

No.	Art No.	Item	Qty.	Note	Standard
25	0000023070	Screw	2	M3x25	GB/T70.1=ISO4762
26	0000023307	Screw	6	M4x10	GB/T818= ISO7045
27	9000010642	Copper bar	1		
28	0000023673	Screw	4	M5x16	GB/T70.1=ISO4762
29	0000023166	Screw	1	M8x20	GB/T70.1=ISO4762
30	0000023017	Screw	2	M4x5	GB/T818= ISO7045
31	9000008325	YGE hose clamp	1		
32	0000023040	Screw	1	M6x16	GB/T70.1=ISO4762
33	0000023055	Washer	1	6	GB/T95
34	9000010713	Electrical control assembly plate	1		
35	9000010644	Electrical control assembly	1		

Fig.29 Main cables

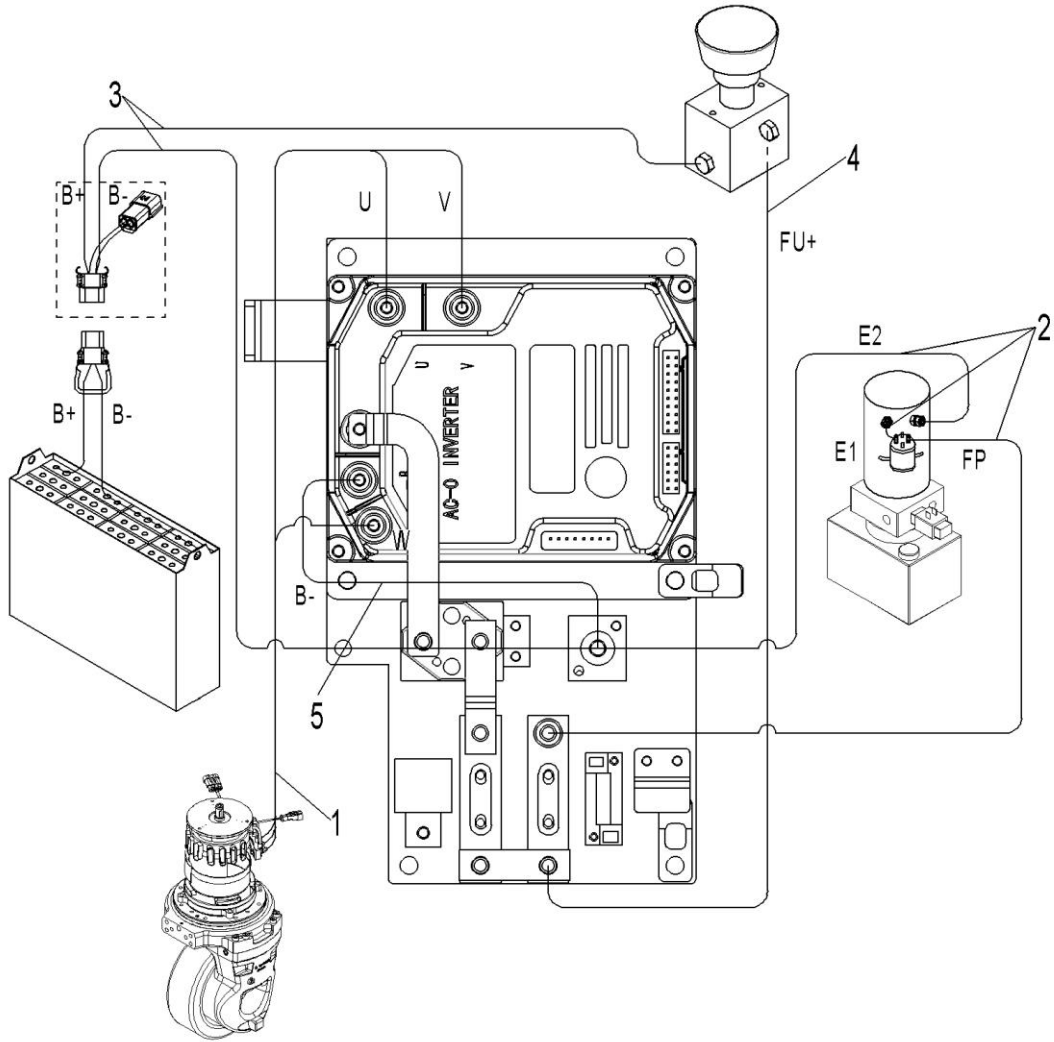


Fig.29 Main Cables

No.	Art No.	Item	Qty.	Note	Standard
1	9000010637	Drive motor cable	1		
2	9000010638	Pump motor cable	1	PT16L/PT20L/PT20L side pulling	
	9000010798	Pump motor cable		PT25L	
3	9000010639	Power supply cable	1	PT16L/PT20L/PT20L side pulling	
	9000010799	Power supply cable		PT25L	
4	9000010640	FU+cable	1		
5	9000010641	B-cable	1		

Fig.30 PT 16L/PT 20L Label(for EU)

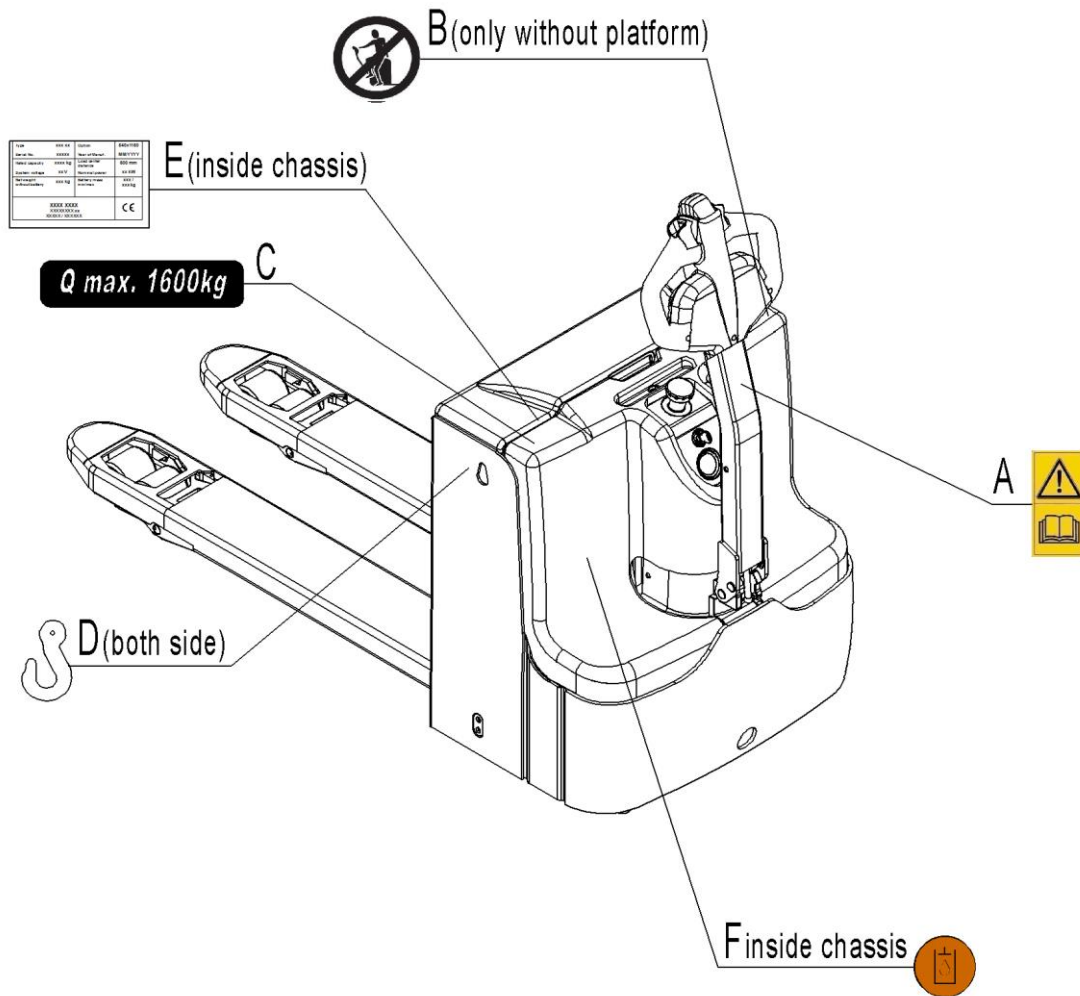


Fig.30 PT 16L/PT 20L Label(for EU)

No.	Art No.	Item	Qty.	Note	Standard
A	9000003570	Sticker to read and follow these instructions	1		
B	9000003573	'No passengers' decal	1		
C	9000008547	Load capacity(1600kg)	1		
	9000008549	Load capacity (2000kg)			
D	9000005967	Crane hook label	2		
E	9000010943	CE Sticker	1		
	9000010944				
F	9000008555	Filling sticker	1		

Fig.31 PT 20L Label(for EU) (side pulling)

No.	Art No.	Item	Qty.	Note	Standard
A	9000003570	Sticker to read and follow these instructions	1		
B	9000003573	'No passengers' decal	1		
C	9000008549	Load capacity (2000kg)			
D	9000005967	Crane hook label	2		
E	9000010944	CE Sticker	1		
F	9000008555	Filling sticker	1		

Fig.32 PT 25L Label(for EU)

No.	Art No.	Item	Qty.	Note	Standard
A	9000003570	Sticker to read and follow these instructions	1		
B	9000003573	'No passengers' decal	1		
C	9000008538	Load capacity(2500kg)	1		
D	9000005967	Crane hook label	2		
E	9000010945	CE sticker	1		
F	9000008555	Filling sticker	1		

Fig.33 PT 16L/PT 20L Label(for US)

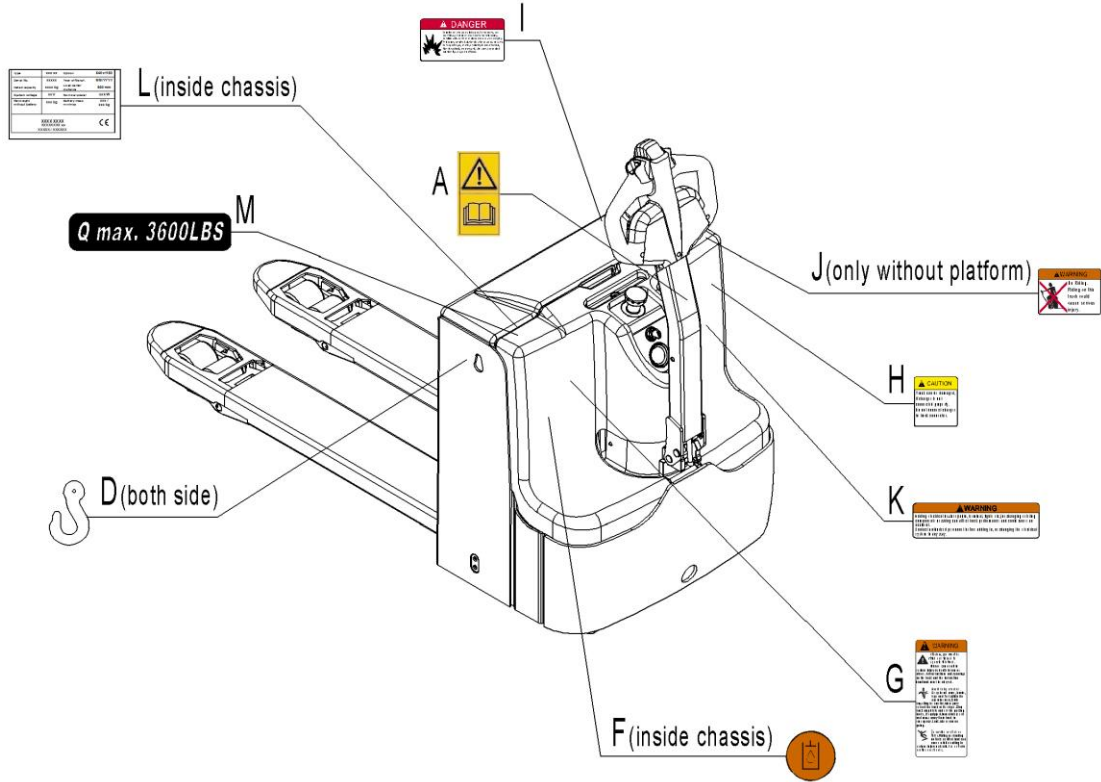


Fig.33 PT 16L/PT 20L Label(for US)

No.	Art No.	Item	Qty.	Note	Standard
A	9000003570	Sticker to read and follow these instructions	1		
M	9000009403	Load capacity (3600 LBS)	1		
	9000009405	Load capacity (4400LBS)			
D	9000005967	Crane hook label	2		
F	9000008555	Filling sticker	1		
G	9000003575	Warning label	1		
H	9000003576	Warning label	1		
I	9000003577	Warning label	1		
J	9000003580	Warning label	1		
K	9000003579	Warning label	1		
L	9000010943	CE sticker	1		
	9000010944				

Fig.34 PT 20L Label(for US) (side pulling)

No.	Art No.	Item	Qty.	Note	Standard
A	9000003570	Sticker to read and follow these instructions	1		
M	9000009405	Load capacity (4400LBS)			
D	9000005967	Crane hook label	2		
F	9000008555	Filling sticker	1		
G	9000003575	Warning label	1		
H	9000003576	Warning label	1		
I	9000003577	Warning label	1		
J	9000003580	Warning label	1		
K	9000003579	Warning label	1		
L	9000010944	CE sticker	1		

Fig.35 PT 25L Label(for US)

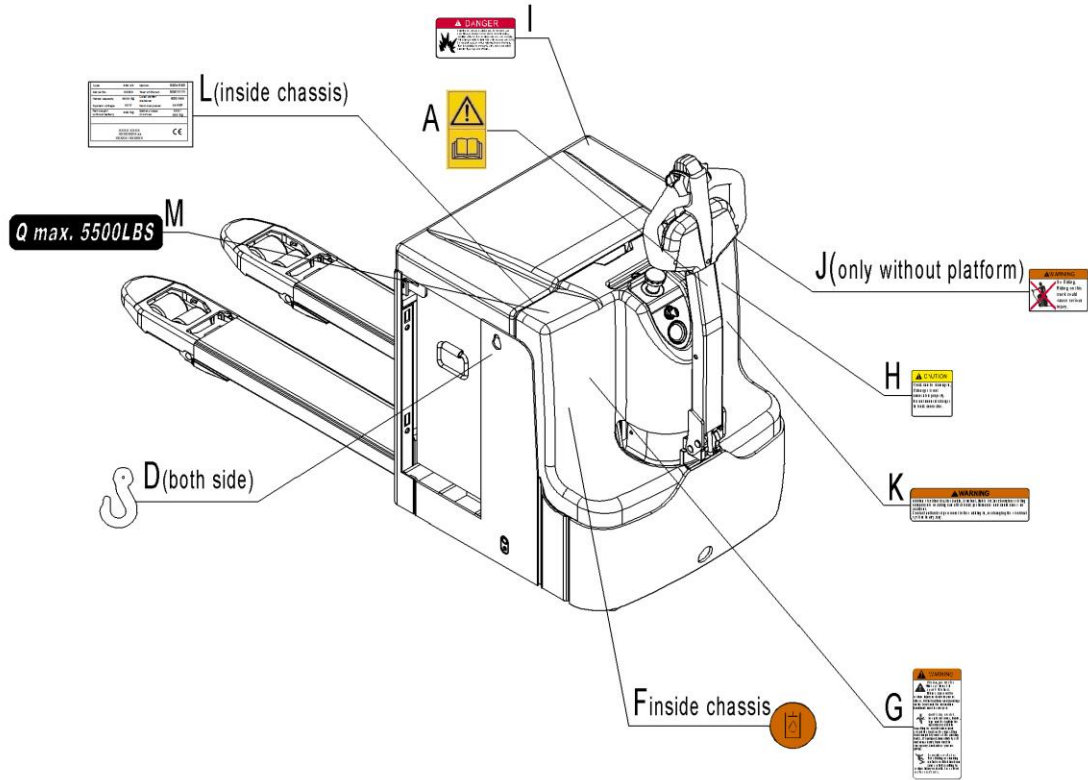


Fig.35 PT 25L Label(for US)

No.	Art No.	Item	Qty.	Note	Standard
A	9000003570	Sticker to read and follow these instructions	1		
M	9000009407	Load capacity (5500 LBS)	1		
D	9000005967	Crane hook label	2		
F	9000008555	Filling sticker	1		
G	9000003575	Warning label	1		
H	9000003576	Warning label	1		
I	9000003577	Warning label	1		
J	9000003580	Warning label	1		
K	9000003579	Warning label	1		
L	9000010945	CE sticker	1		

Easy worn parts list

No.	Art No.	Item	Qty.	Fig./Position	Note	Standard
1	9000008047	Rubber ring	2	Fig.1/2	Appearance	
2	9000008047	Rubber ring	2	Fig.2/3		
3	9000008047	Rubber ring	2	Fig.3/3		
4	9000008047	Rubber ring	2	Fig.4/3		
5	0000013024	Bushing 25x28x20	2	Fig.5/10	Truck frame	
6	0000013001	Bushing 20x23x20	2	Fig.5/11		
7	0000027006	Bushing 25x29x25	2	Fig.5/12		
8	0000027005	Bushing 20x22x12	4	Fig.5/18		
9	0000030001	Grease nipple 6	2	Fig.5/21		JB/T7940.4
10	0000013024	Bushing 25x28x20	2	Fig.6/10		
11	0000013001	Bushing 20x23x20	2	Fig.6/11		
12	0000027006	Bushing 25x29x25	2	Fig.6/12		
13	0000027005	Bushing 20x22x12	4	Fig.6/18		
14	0000030001	Grease nipple 6	2	Fig.6/21		
15	0000013024	Bushing 25x28x20	2	Fig.7/10		
16	0000013001	Bushing 20x23x20	2	Fig.7/11		
17	0000027006	Bushing 25x29x25	2	Fig.7/12		
18	0000027005	Bushing 20x22x12	4	Fig.7/18		
19	0000030001	Grease nipple 6	2	Fig.7/21		JB/T7940.4
20	0000027060	Bearing 6202	12	Fig.8/5		GB/T276=ISO3290
21	0000013024	Bushing 25x28x20	2	Fig.8/17		
22	0000013001	Bushing 20x23x20	2	Fig.8/18		
23	0000027006	Bushing 25x29x25	2	Fig.8/19		
24	0000027005	Bushing 20x22x12	4	Fig.8/22		
25	0000030001	Grease nipple 6	2	Fig.8/25	JB/T7940.4	
26	1000516001	Entry roller	2	Fig.9/2	Load roller (EU)	
27	0000030001	Grease nipple 6	2	Fig.9/6		JB/T7940.4

28	0000027005	Bushing 20x22x12	4	Fig.9/7		
29	0000027001	Bearing 6204	8/4(D/S)	Fig.9/10		GB/T276=ISO3290
30	9000008791	Load roller 84X84	4(D)	Fig.9/11		
31	9000002333	Harness 18x20x12	4(D)	Fig.9/13		
32	0000027002	Bearing	2	Fig.19/2	Steering wheel assembly	GB/T296
33	1000419001	Spring	2	Fig.19/8		
34	1000413002	Bushing 12x15x15	4	Fig.19/9		
35	0000027001	Bearing 6204	4	Fig.19/15		GB/T276=ISO3290
36	1000403008	Castor 100X40	2	Fig.19/16		
37	900000832	9 interlock switch	1	Fig.20/7	Handle assembly	
38	9000001928	Air spring	1	Fig.20/10		
39	9000010696	Seal bushing	1	Fig.20/12		
40	0000013002	Harness 20X22X12	2	Fig.20/13		
41	9000010699	Supporting ring 50X55X15	1	Fig.22/13	Hydraulic assembly	
42	9000010700	Y seal ring 50X60X6/7	1	Fig.22/14		
43	9000010701	Dust ring 50X58X5/6.5	1	Fig.22/15		
44	9000010706	Supporting ring 56X61X15	1	Fig.23/12		
45	9000010181	Y ring 56X66X10/11	1	Fig.23/13		
46	9000010180	Dust ring 56X64X5/6.5	1	Fig.23/14		
47	9000000794	Micro switch	1	Fig.26/5	Electrical assembly	
48	9000000794	Micro switch	1	Fig.27/5		
49	1010434005	Fuse 80A	1	Fig.28/7	Electrical control assembly	
50	2210434004	Fuse 150A	1	Fig.28/9		
51	1000434040	Fuse	2	Fig.28/11		