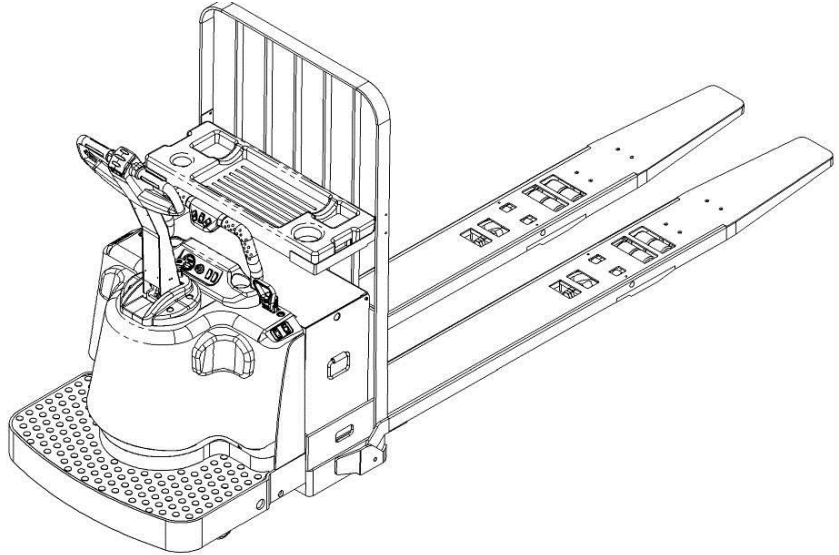
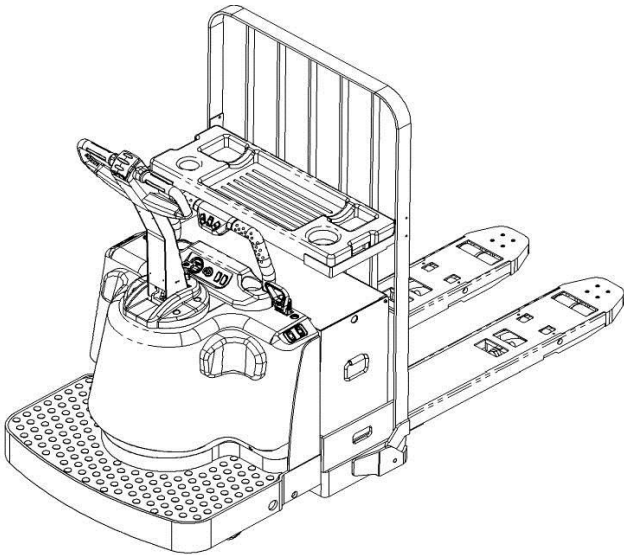


# SPAREPARTS LIST

## Electric Pallet Truck PT 27/36R



Version 10/2014

From truck identification number:

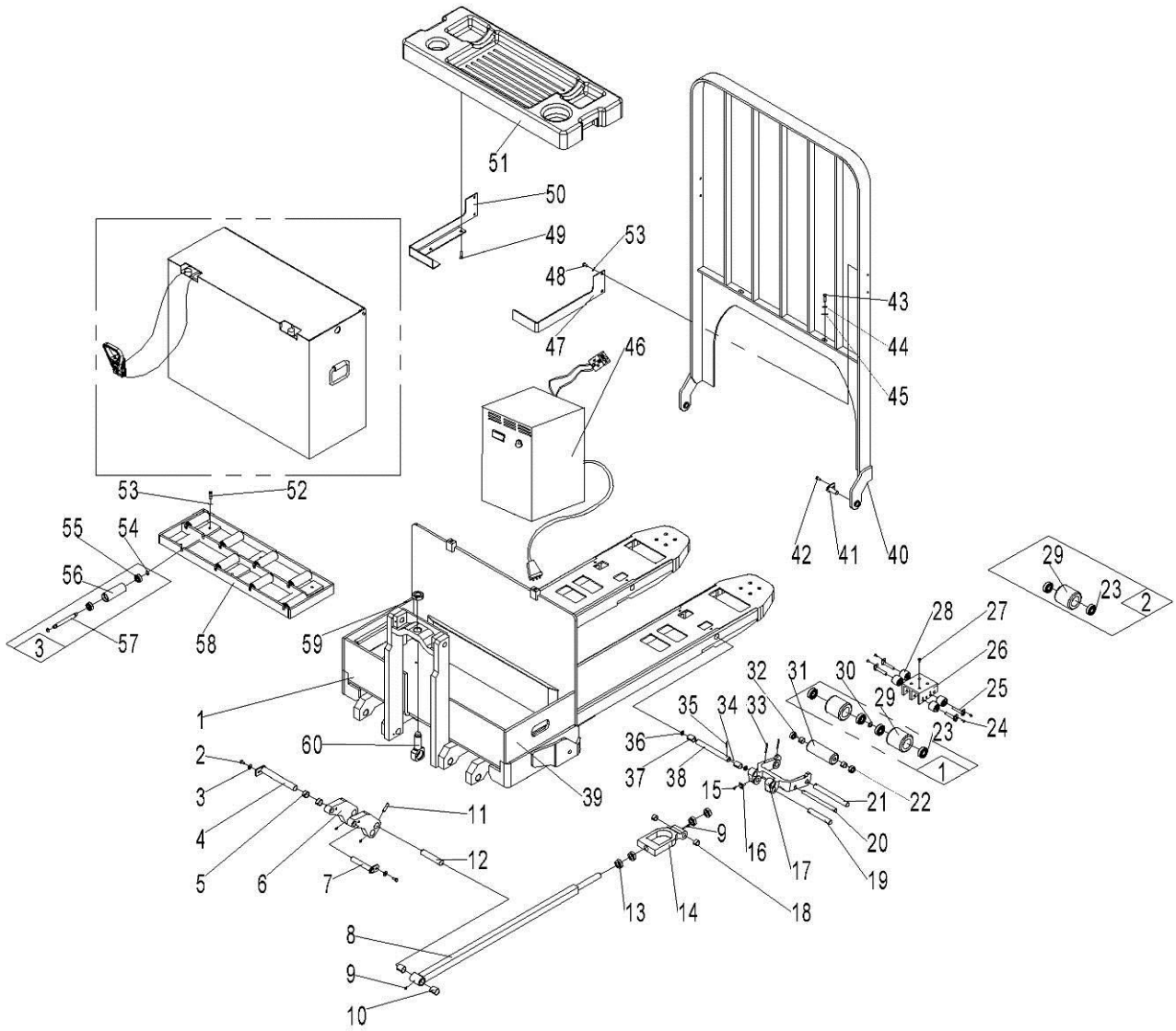
201410

PT 27/36R-BPT-001-EN

# Catalogue

FIG.1 PT 27R CHASSIS .....	2
FIG.2 PT 36R CHASSIS .....	6
FIG.3 BATTERY.....	9
FIG.4 ELECTRICAL BOX ASSEMBLY.....	10
FIG.5 DRIVE ASSEMBLY .....	12
FIG.6 PT 27R HYDRAULIC ASSEMBLY .....	14
FIG.7 PT 36R HYDRAULIC ASSEMBLY .....	16
FIG.8 PUMP STATION.....	18
FIG.9 ELECTRICAL ASSEMBLY .....	20
FIG.10 STEERING WHEEL .....	22
FIG.11 HANDLE ASSEMBLY .....	24
FIG.12 PT 27R CONTROLLER .....	26
FIG.13 PT 36R CONTROLLER ASSEMBLY .....	28
FIG.14 PT 27R MAIN HARNESS .....	30
FIG.15 PT 36R MAIN HARNESS .....	31
FIG.16 PT 27R LABEL .....	32
FIG.17 PT 36R LABEL .....	33
EASY WORN PARTS LIST.....	34

Fig.1 PT 27R Chassis



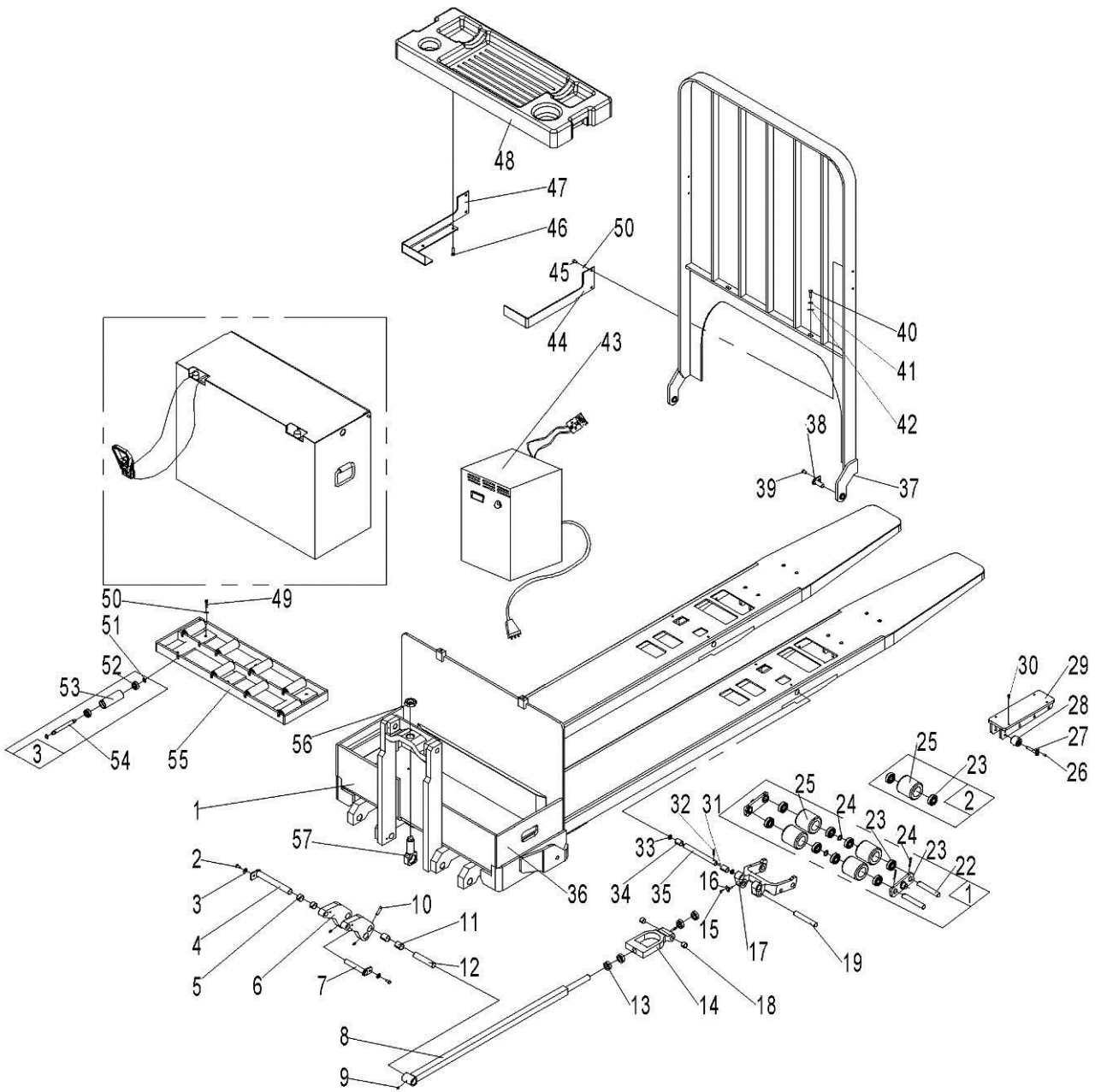
**Fig.1 PT 27R Chassis**

No.	Art No.	Description	Qty.	Note
1	9000010057	Chassis	1	48 inch
	9000010216			36 inch
	9000010218			42 inch
	9000010220			54 inch
	9000010222			60 inch
	9000010224			96 inch
2	0000023632	Bolt	4	M8x16
3	0090000034	Washer	4	8
4	9000010058	Linking axle	2	
5	9000010055	Bushing	4	(25X28X30)
6	9000010059	Large steel plate	4	
7	9000010060	Linking axle	2	
8	9000010061	Pulling rod	2	
	9000010217			
	9000010219			
	9000010221			
	9000010223			
	9000010225			
9	0000030002	Grease nipple	6	M6
10	9000009834	Bushing	4	(25X28X15)
11	0000028023	Dowel pin	2	5x20
12	9000010062	Pulling rod axle	2	
13	0090000033	Nut	8	M24x2
14	9000010063	Adjusting block	2	
15	0000023126	Screw	2	M5x12
16	9000010064	Fixing seat	2	
17	9000010065	Frame for load roller	2	
18	9000008262	Bushing	4	20X23X15
19	9000010066	Linking axle	2	
20	9000010067	Axle	2	
21	9000010068	Castor axle	2	
22	9000010069	Washer	4	
①	9000010070	Load roller assembly		
23	0000027001	Bearing	8	6204

24	0090000041	Screw	8	M5X10
25	9000010071	Entry roller axle	8	
26	9000010072	Entry roller seat	2	
27	0000023091	Screw	8	M6x12
28	9000010073	Entry roller	8	
2	9000010074	Castor assembly	4	
29	9000008792	Load roller	4	82X82
30	1000525001	Washer	2	
31	9000010075	Exit roller	2	
32	9000008261	Bushing	4	(15X17X15)
33	0000028057	Dowel pin	4	5x45
34	0000030001	Grease nipple	4	6
35	0000028002	Dowel pin	2	5x30
36	9000010076	Washer 2	4	
37	9000010034	Bushing	4	(20X23X20)
38	9000010077	Lever block axle	2	
39	9000010078	Battery baffle	2	
40	9000010079	Load backrest	1	60 inch
	9000010228			48 inch
	9000010229			72 inch
41	9000010080	Fixed axle	2	
42	0000023053	Screw	2	M6x12
43	0000023034	Screw	2	M10x20
44	0000023006	Washer	2	10
45	0090000590	Washer	2	10
46	9000010235	Charger (US)	1	24V/55A
47	9000010081	Right side plate	1	
48	0000023067	Screw	4	M8x16
49	0000023415	Screw	4	M8x10
50	9000010082	Left side plate	1	
51	9000010083	Storage cover	1	
52	0000023047	Screw	4	M8x25

53	0000025001	Washer	4	8
54	0000026004	Circlip	16	15
55	0000027060	Bearing	16	6202
56	2410411001	Barrel	8	
3	2410400001	Roller	8	
57	2410407001	Axle	8	
58	9000010084	Battery frame	1	
59	0090000036	Nut	1	M30x2
60	9000010085	Bolt	1	

Fig.2 PT 36R Chassis

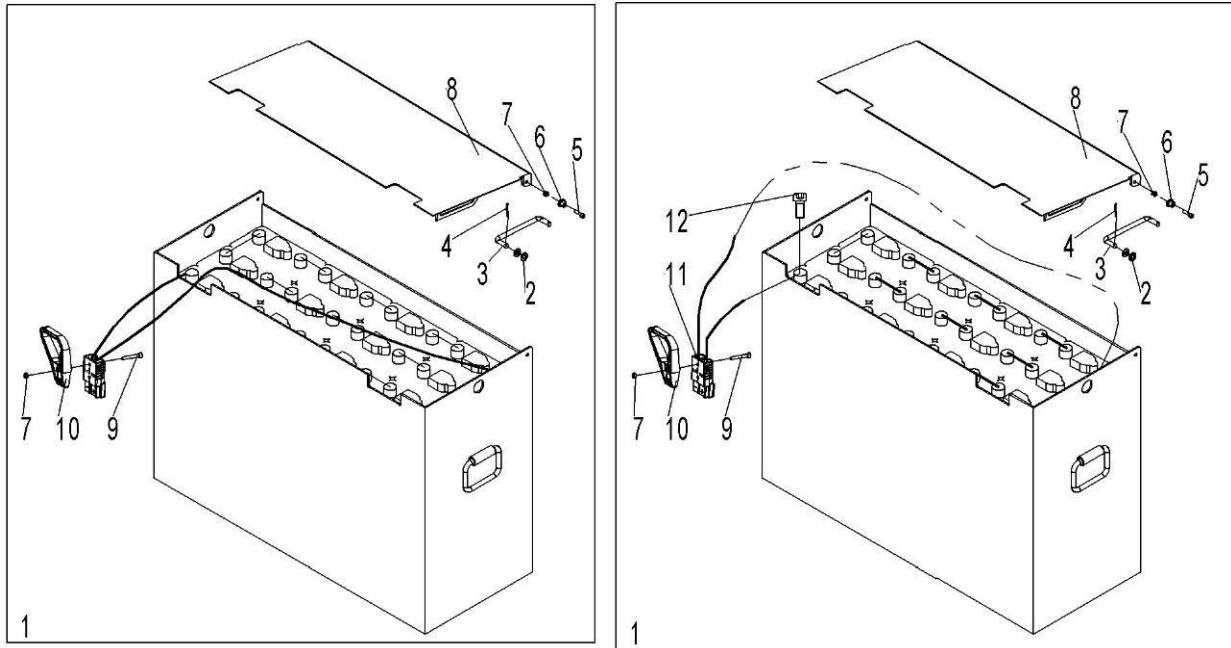


**Fig.2 PT 36R Chassis**

No.	Art No.	Description	Qty.	Note
1	9000010086	Chassis	1	96 inch
	9000010226			84 inch
	9000010227			93 inch
2	0000023632	Bolt	4	M8x16
3	0090000034	Washer	4	8
4	9000010058	Linking axle	2	
5	9000010055	Bushing	4	(25X28X30)
6	9000010059	Large steel plate	4	
7	9000010060	Linking axle	2	
8	9000010061	Pulling rod	2	
9	0000030002	Grease nipple	6	M6
10	9000009834	Bushing	4	(25X28X15)
11	0000028023	Dowel pin	2	5x20
12	9000010062	Pulling rod axle	2	
13	0090000033	Nut	8	M24x2
14	9000010063	Adjusting block	2	
15	0000023126	Screw	2	M5x12
16	9000010064	Fixing block	2	
17	9000010151	Frame for load roller	2	
18	9000008262	Bushing	4	20X23X15
19	9000010066	Linking axle	2	
1	9000010087	Load roller	8	
20	9000010088	Castor axle	4	
21	9000008077	Linking plate	4	
23	0000027001	Bearing	8	6204
24	1000525001	Washer	4	
25	9000008792	Load roller	8	82X82
2	9000013641	Castor	8	
26	0090000041	Screw	8	M5X10
27	9000010071	Entry roller axle	8	
28	9000010073	Entry roller	8	
29	9000010089	Entry roller block	2	

30	0000023091	Screw	8	M6x12
31	0000030001	Grease nipple	4	6
32	0000028002	Dowel pin	2	5x30
33	9000010076	Washer 2	4	
34	9000010034	Bushing	4	(20X23X20)
35	9000010077	Lever block axle	2	
36	9000010078	Battery baffle	2	
37	9000010079	Load backrest	1	60 inch
	9000010228			48 inch
	9000010229			72 inch
38	9000010080	Fixed axle	2	
39	0000023053	Screw	2	M6x12
40	0000023034	Screw	2	M10x20
41	0000023006	Washer	2	10
42	0090000590	Washer	2	10
43	9000010235	Charger (US)	1	24V/55A
44	9000010081	Right side plate	1	
45	0000023067	Screw	4	M8x16
46	0000023415	Screw	4	M8x10
47	9000010082	Left side plate	1	
48	9000010083	Storage cover	1	
49	0000023047	Screw	4	M8x25
50	0000025001	Washer	4	8
51	0000026004	Circlip	16	15
52	0000027060	Bearing	16	6202
53	2410411001	Barrel	8	
3	2410400001	Roller	8	
54	2410407001	Axle	8	
55	9000010084	Battery frame	1	
56	0090000036	Nut	1	M30x2
57	9000010085	Bolt	1	

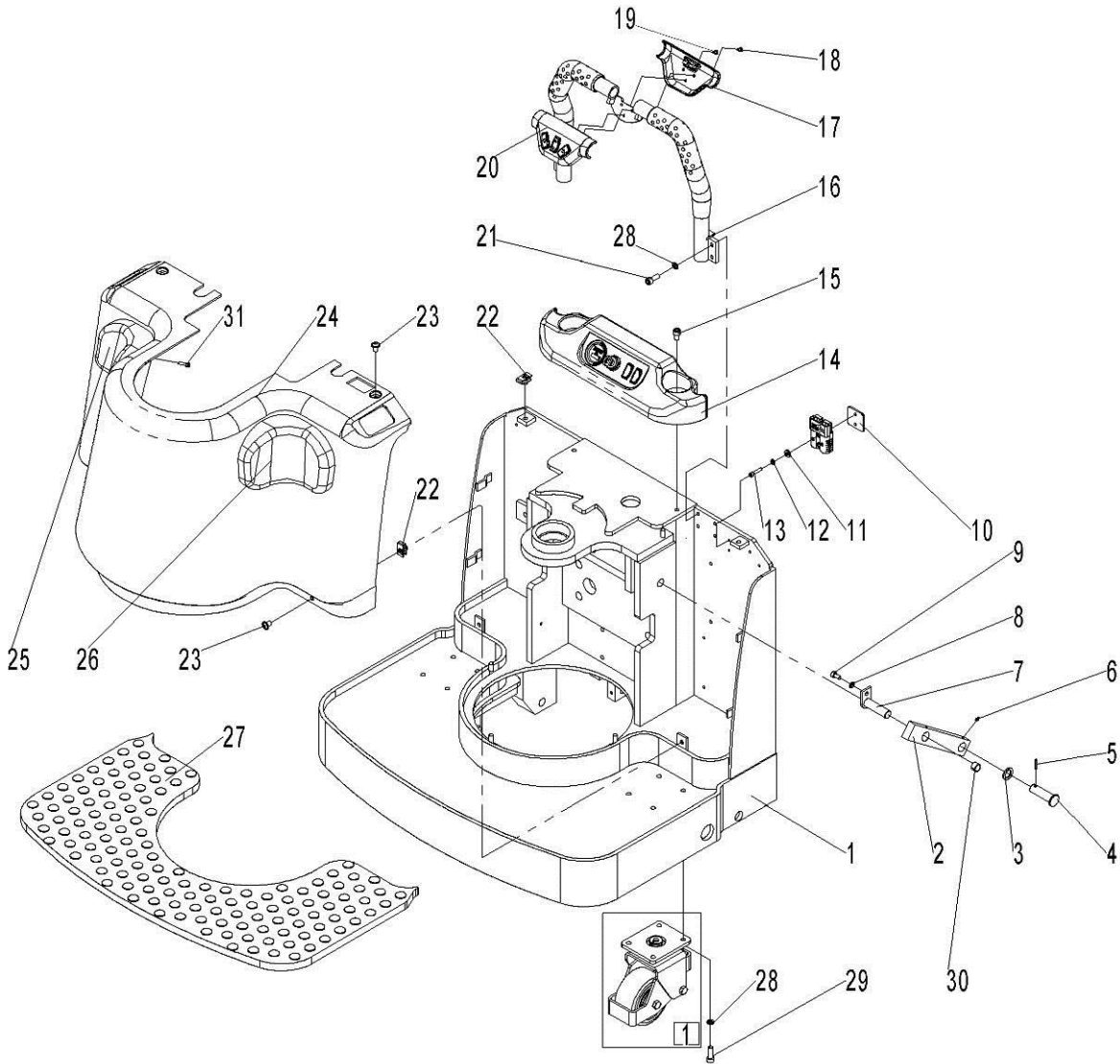
**Fig.3 Battery**



**Fig.3 Battery**

No.	Art No.	Description	Qty.	Note
1	9000010090	Power supply	1	
	9000010091	Power supply	1	Bolt type
2	0000025002	Washer	4	10
3	9000010092	Supporting rod	1	
4	0000028050	Split pin	4	3.2x28
5	0000023030	Screw	2	M6x25
6	9000010093	Sleeve	2	
7	0000024045	Lock nut	2	M6
8	9000010094	Battery box cover	1	
9	0000023090	Screw	2	M6x35
10	9000009786	Handle	1	78298-00
11	9000010095	Connector assembly	1	
12	9000009832	Screw	24	

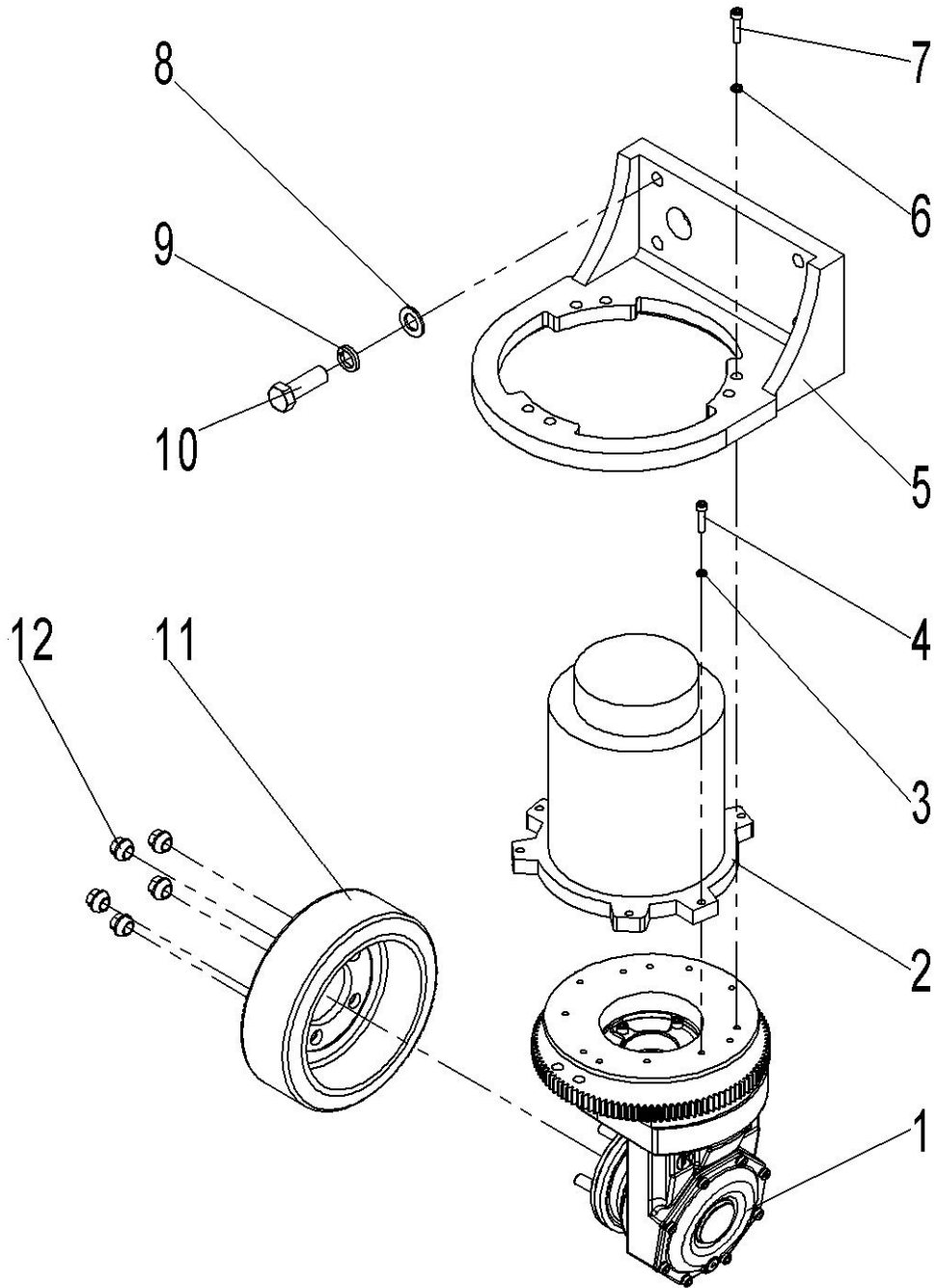
Fig.4 Electrical box assembly



**Fig.4 Electrical Box Assembly**

No.	Art No.	Description	Qty.	Note
1	9000010096	Truck body	1	
2	9000010097	Linking plate	2	
3	9000010251	Washer 3	2	
4	9000010098	Axle	2	
5	0000028002	Dowel pin	2	5x30
6	0000030002	Grease nipple	4	M6
7	9000010099	Fixed axle	2	
8	0000025001	Washer	2	8
9	0000023067	Screw	2	M8x16
10	9000010100	Adjusting plate	1	
11	0000023055	Washer	2	6
12	0000025010	Washer	2	6
13	0000023106	Screw	2	M6x30
14	9000010101	Indicator board cover	1	
15	0000023080	Screw	2	M10x16
16	9000010102	Armrest assembly	1	
17	9000010103	Armrest switch cover	1	
18	0000023153	Screw	2	M5x30
19	0000023574	Screw	1	M5x16
20	9000010104	Armrest switch cover	1	
21	0000023088	Screw	4	M10x25
22	9000007783	Nut	4	M10
23	1000423003	Screw	4	M10X30
24	9000010105	Electrical box cover	1	
25	9000010106	Left knee pad	1	
26	9000010107	Right knee pad	1	
27	9000010108	Foot pedal pad	1	
1	9000010109	Steering wheel assembly	2	
28	0000023006	Washer	12	10
29	0000023158	Screw	8	M10x30
30	9000010034	Bushing	4	20X23X20
31	0000023040	Screw	8	M6x16

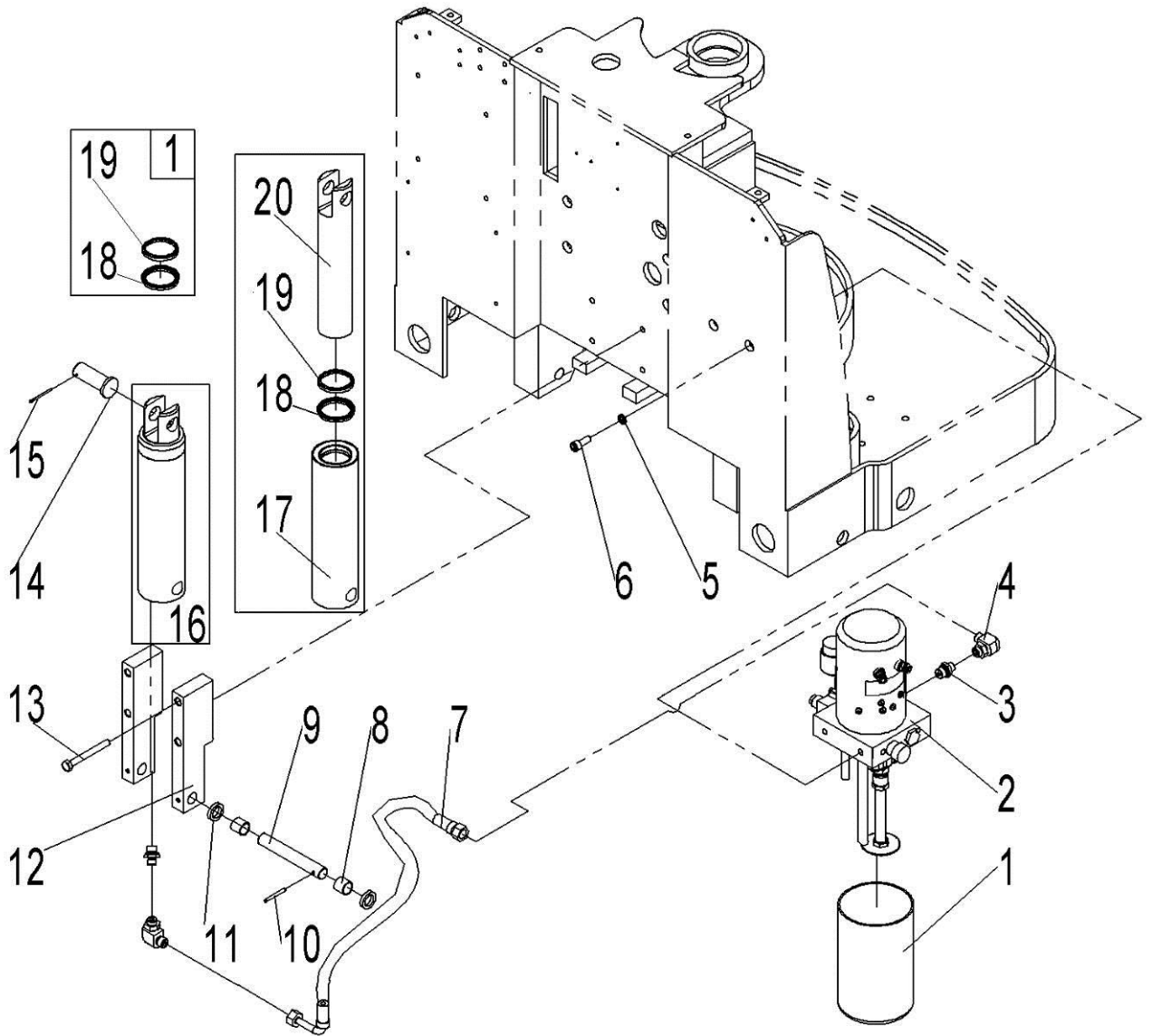
Fig.5 Drive assembly



**Fig.5 Drive Assembly**

No.	Art No.	Description	Qty.	Note
1	9000010056	Gear box	1	GK20
2	9000010119	Drive motor	1	
3	0000025001	Washer	3	8
4	0000023455	Screw	3	M8x35
5	9000010110	Drive wheel assembly block	1	
6	0000025024	Washer	6	12
7	0000023874	Bolt	6	M12x45
8	0000025031	Washer	4	20
9	0000025033	Washer	4	20
10	0000023228	Bolt	4	M20x60
11	9000007764	Drive wheel	1	
12	3014702006	Nut	5	

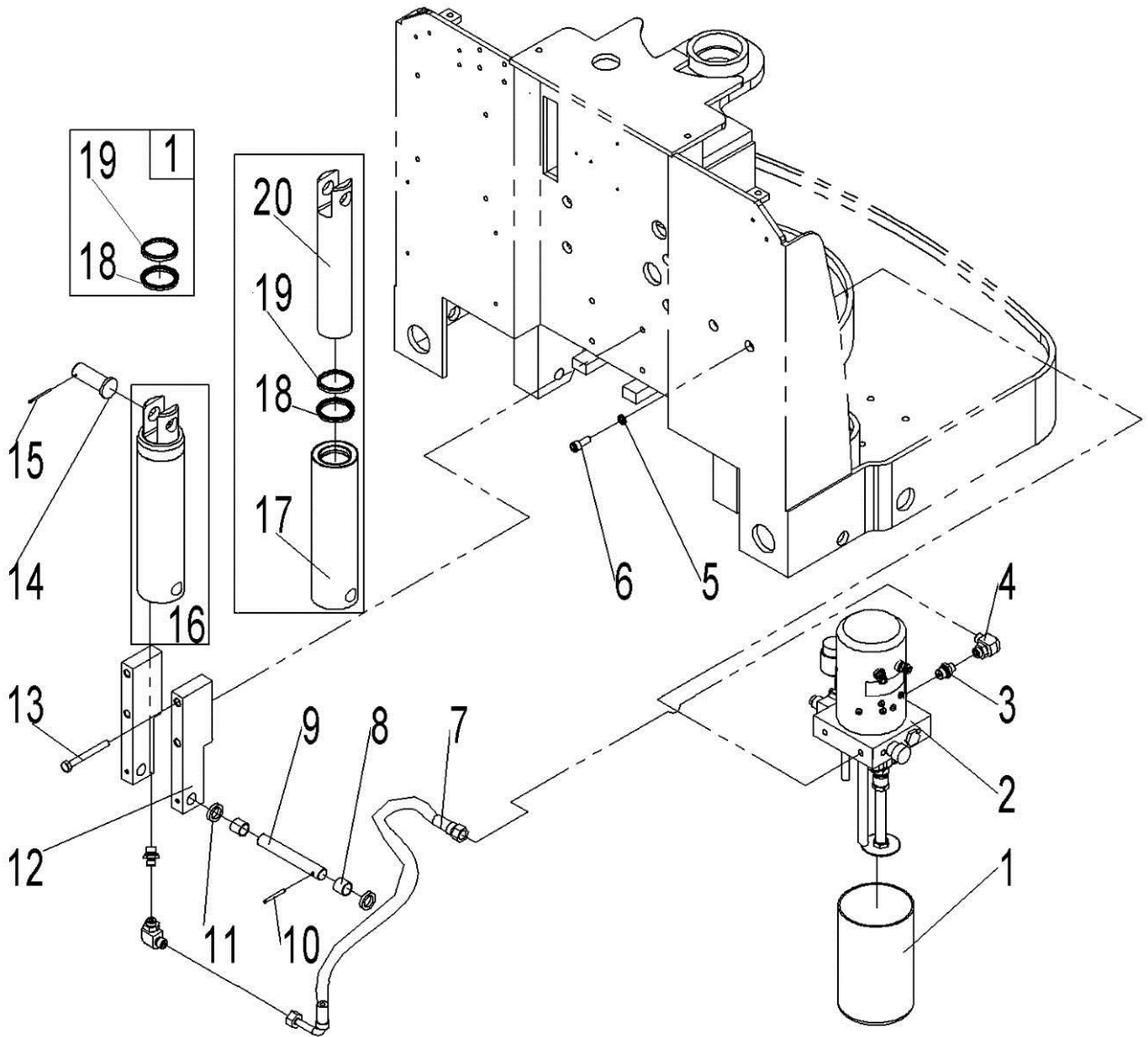
Fig.6 PT 27R Hydraulic assembly



**Fig. 6 PT 27R Hydraulic Assembly**

No.	Art No.	Description	Qty.	Note
1	9000007860	Hydraulic cylinder	1	
2	9000007854	DC power unit	1	
3	9000007832	G Straight joint	2	
4	9000007838	Steering joint	2	
5	0000023006	Washer	2	10
6	0000023088	Screw	2	M10x25
7	9000007825	Hydraulic hose assembly	1	
8	1000413001	Bushing	2	20X23X15
9	9000010111	Cylinder axle	1	
10	0000028057	Dowel pin	1	5x45
11	9000010112	Bushing	2	
12	9000010113	Cylinder block	2	
13	0000023904	Bolt	4	M10x90
14	9000010114	Cylinder short axle	1	
15	0090000035	Split pin	1	3.2x40
16	9000010115	Cylinder assembly	1	
17	9000010182	Cylinder body	1	
18	9000010181	Y ring for axle	1	56*66*10/11
19	9000010180	Dust ring	1	
20	9000010179	Piston rod	1	
1	9000010122	Cylinder seal kit	1	

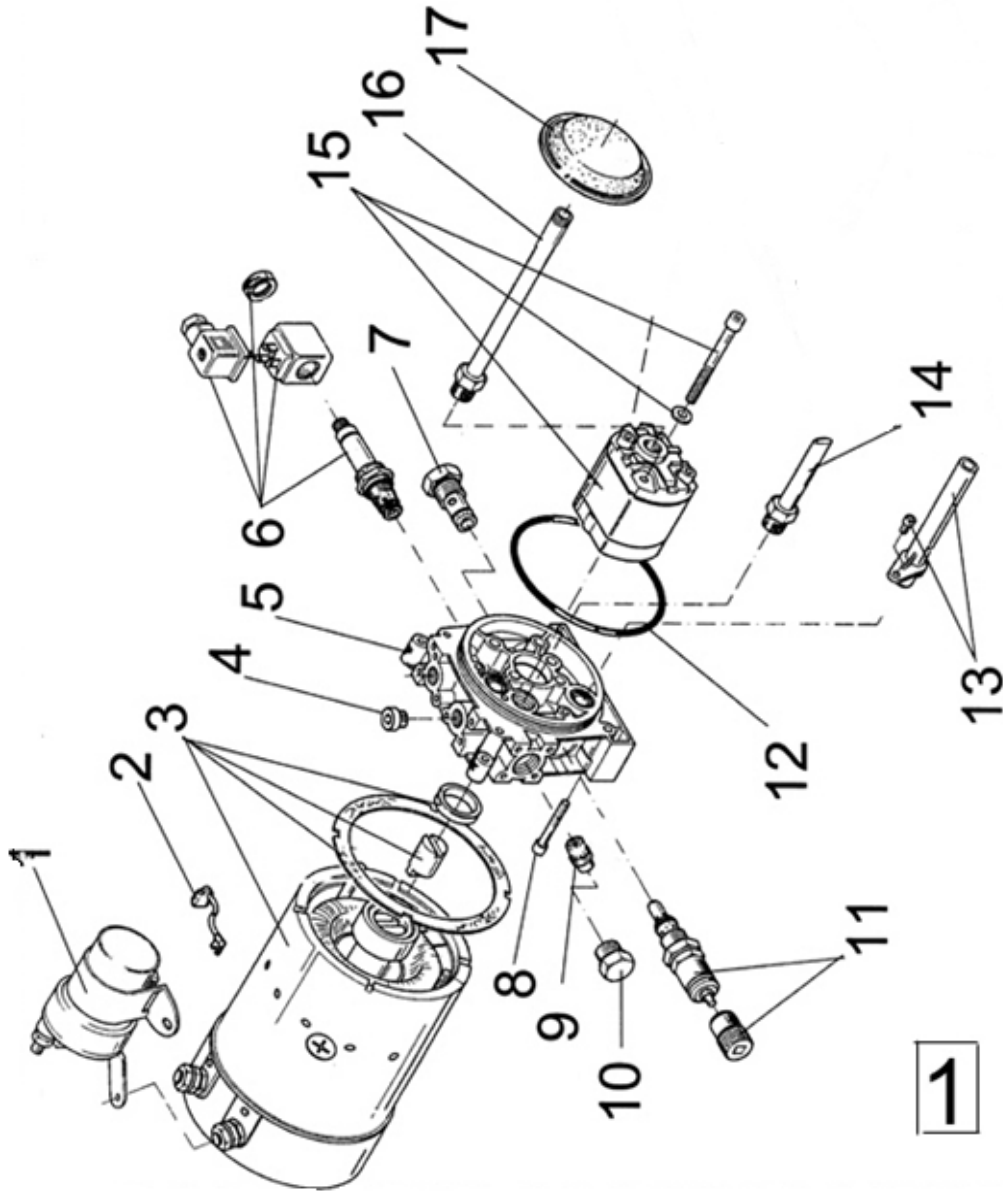
Fig.7 PT 36R Hydraulic assembly



**Fig. 7 PT 36R Hydraulic Assembly**

No.	Art No.	Description	Qty.	Note
1	9000007860	Hydraulic cylinder	1	
2	9000007854	DC power unit	1	
3	9000007832	G Straight joint	2	
4	9000007838	Steering joint	2	
5	0000023006	Washer	2	10
6	0000023088	Screw	2	M10x25
7	9000007825	Hydraulic hose assembly	1	
8	1000413001	Bushing	2	20X23X15
9	9000010111	Cylinder axle	1	
10	0000028057	Dowel pin	1	5x45
11	9000010112	Bushing	2	
12	9000010113	Cylinder block	2	
13	0000023904	Bolt	4	M10x90
14	9000010114	Cylinder short axle	1	
15	0090000035	Split pin	1	3.2x40
16	9000010123	Cylinder assembly	1	
17	9000010124	Cylinder body	1	
18	9000010149	U cover	1	
19	9000010148	Ring	1	
20	9000010125	Piston rod	1	
①	9000010126	Cylinder seal kit	1	

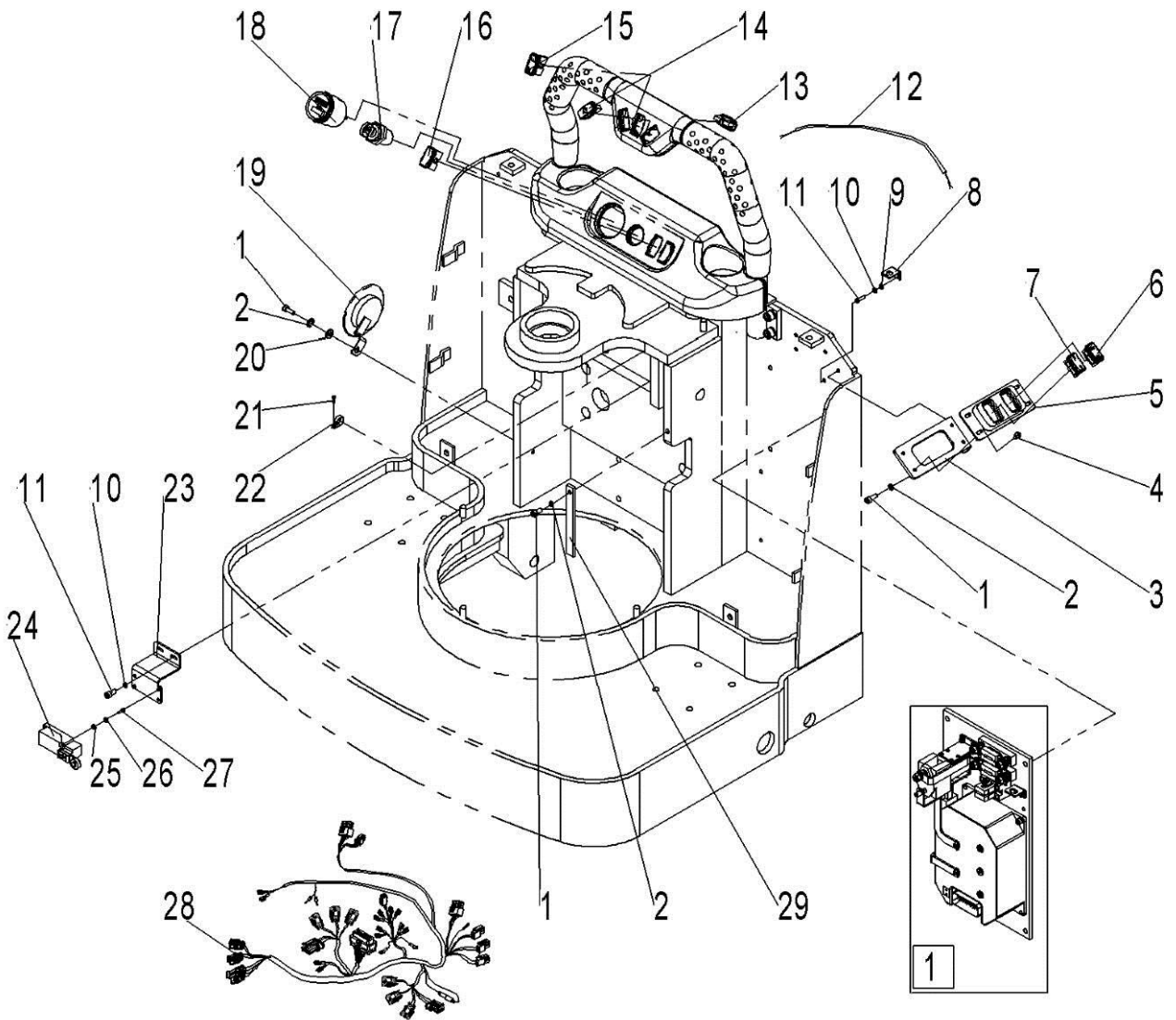
Fig.8 Pump station



**Fig. 8 Pump Station**

No.	Art No.	Description	Qty.	Note
1	2000335001	Pump contactor	1	
2	2000335002	Carbon brush (components)	1	Iskra
3	2000334001	Motor	1	Iskra
4	2000323001	Plug	1	
5	2000300002	Valve	1	
6	2000335003	Electromagnetic valve	1	
7	2000335004	Check valve	1	
8	2000323002	Screw	4	
9	2000335005	Flow control valve	1	
10	2000323003	Plug	1	
11	2000335006	Overflow valve	1	
12	2000322004	O ring	1	
13	2000317008	Oil return hose	1	
14	2000317009	Oil return hose	1	
15	2000300003	Gear pump	1	
16	2000317010	Oil suction pipe	1	
17	2000300004	Filter	1	
1	2000300001	Pump station	1	2.2kw (Iskra motor)

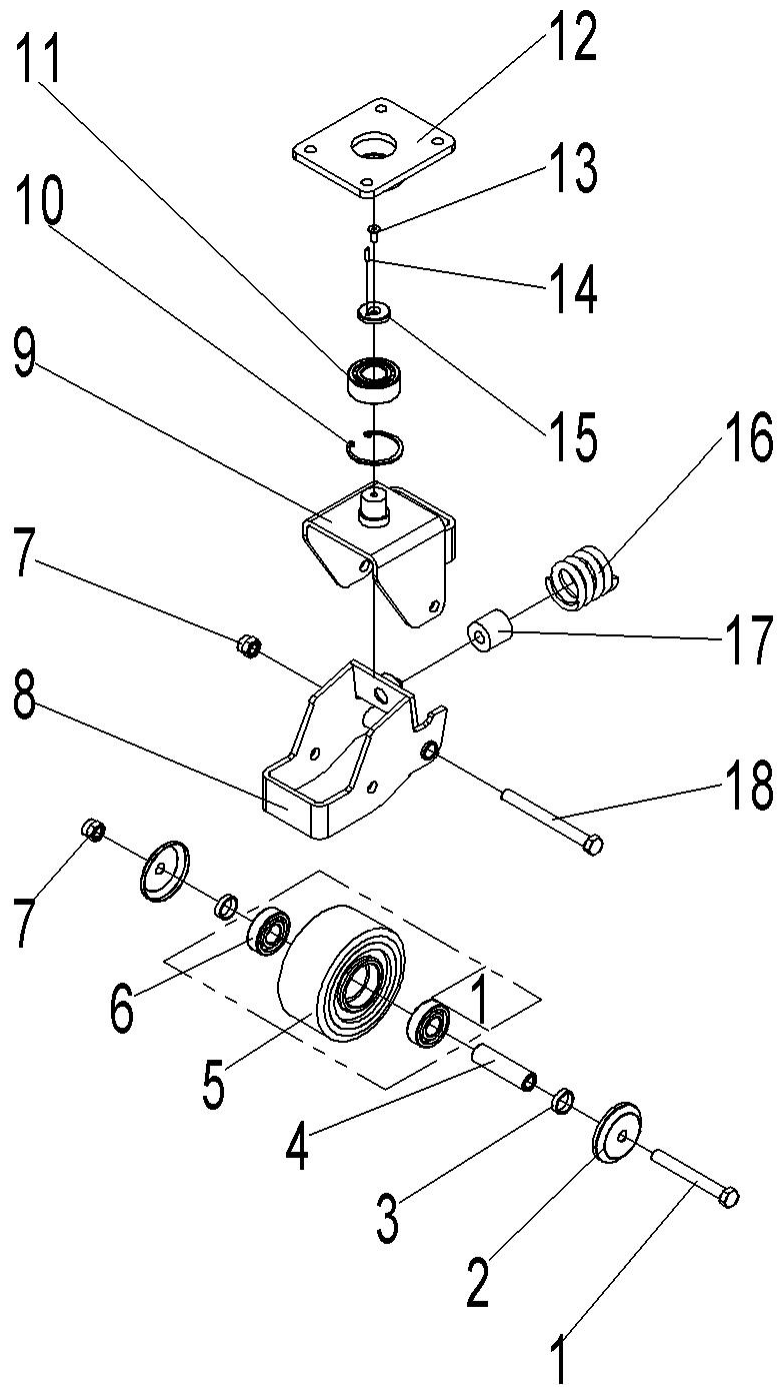
Fig.9 Electrical assembly



**Fig. 9 Electrical Assembly**

No.	Art No.	Description	Qty.	Note
1	9000010127	Electric control assembly	1	
	9000010240		1	
1	0000023040	Screw	7	M6x16
2	0000025010	Washer	7	6
3	9000010128	Side switch assembly plate	2	
4	0000023516	Screw	8	M5x10
5	9000010129	Switch block	2	
6	9000009781	Rocker switch	2	3203-00090-OAA
7	9000009782	Rocker switch	2	3203-00090-OC
8	1010404005	Connector fixing frame	4	Two core
9	0000025019	Washer	4	4
10	0000025018	Washer	6	4
11	0000023056	Screw	6	M4x12
12	9000010158	Button box wiring harness	1	
13	9000009783	Rocker switch	1	3203-00090-0D
14	9000009784	Rocker switch	2	3203-00090-OE
15	9000002376	Rocker switch	1	3203-00092-OV
16	9000010154	Seal cover	2	3305E00140-AO
17	9000010241	Key switch	1	LKS-101A
18	1000434025	Indicator	1	CURTIS 803
19	1000434015	Horn	1	DC24V
20	0000023055	Washer	1	6
21	0000023059	Screw	3	M4x8
22	9000009789	Cable clamp	3	UC-3
23	9000010130	Limit switch assembly plate	1	
24	4000134001	Limit switch	1	TZ-8104
25	0000025014	Washer	4	5
26	0000025015	Washer	4	5
27	0000023076	Screw	4	M5x12
28	9000010157	Main control wiring harness	1	
29	9000010131	Wire damper	2	

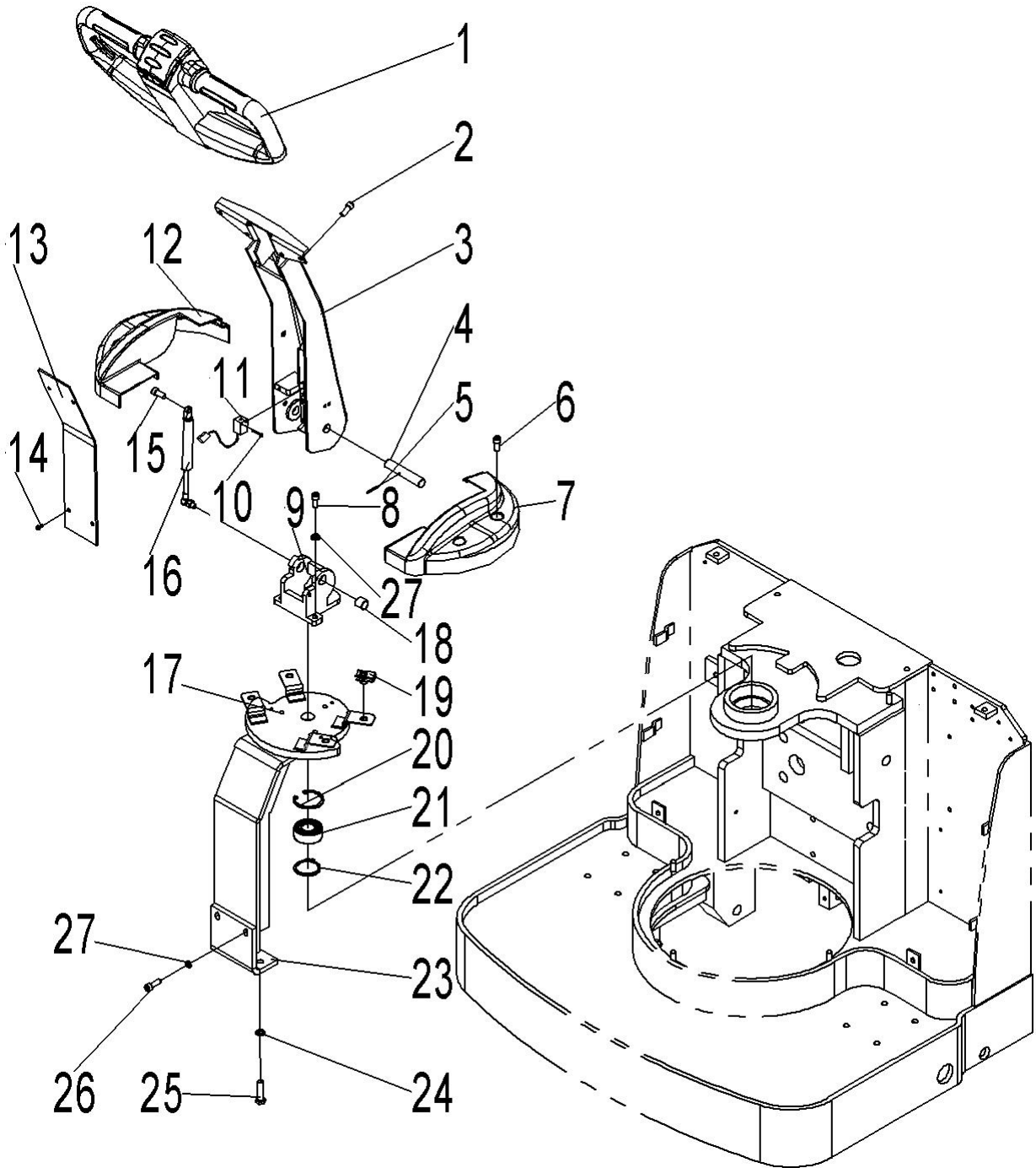
Fig.10 Steering wheel



**Fig. 10 Steering Wheel**

No.	Art No.	Description	Qty.	Note
1	0000023336	Bolt	1	M12x100
2	9000010132	Dust cover	2	
3	1000425003	Washer	2	
4	9000010133	Sleeve	1	
5	2020416001	Castor	1	124X60
6	0000027001	Bearing	2	6204
7	0000024006	Nut	2	M12
1	9000010134	Castor	1	
8	9000010135	Rotating arm	1	
9	9000010136	Wheel carrier	1	
10	0000026002	Circlip	1	52
11	0090000037	Bearing	1	3205
12	9000010137	Linking plate	1	
13	1000523002	Screw	1	M6X14
14	0000028004	Dowel pin	1	4x14
15	1000426001	Circlip	1	
16	1000431001	Spring	1	φ8 length 62
17	1000419001	Polyurethane spring	1	
18	0000023157	Bolt	1	M12x120

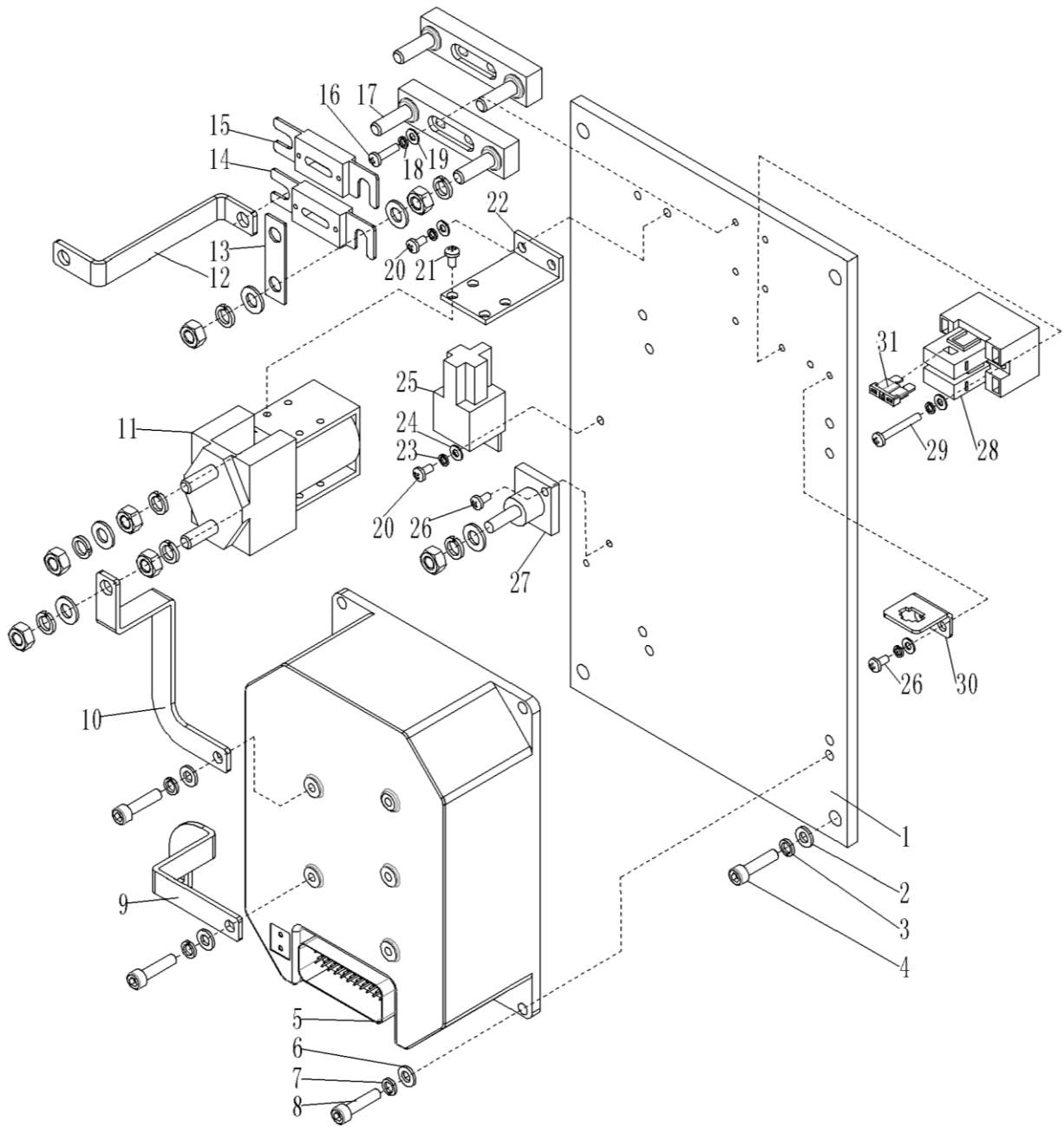
Fig.11 Handle assembly



**Fig. 11 Handle Assembly**

No.	Art No.	Description	Qty.	Note
1	9000010354	Handle	1	
2	0000023146	Screw	4	M8x16
3	9000010138	Handle bar	1	
4	9000010139	Axle	1	
5	0000028003	Dowel pin	1	4x24
6	0090000448	Screw	4	M8x20
7	9000010140	Right cover	1	
8	0000023047	Screw	3	M8x25
9	9000010141	Handle seat	1	
10	0000023075	Screw	2	M3x20
11	9000008327	Proximity switch	1	NBN5-F7-E2
12	9000010142	Left cover	1	
13	9000010143	Rear cover	1	
14	0000023307	Screw	4	M4x10
15	0000023044	Screw	1	M8x20
16	1010121001	Air spring	1	S≥55
17	9000010144	Handle steering holder	1	
18	1000113001	Bushing	2	
19	9000007784	Nut	4	M8
20	0000026084	Circlip	1	80
21	0090000549	Bearing	1	7208C
22	0000026014	Circlip	1	40
23	9000010145	Linking plate	1	
24	0000023006	Washer	2	10
25	0000023680	Bolt	2	M10x40
26	0000023047	Screw	2	M8x25
27	0000025001	Washer	5	8

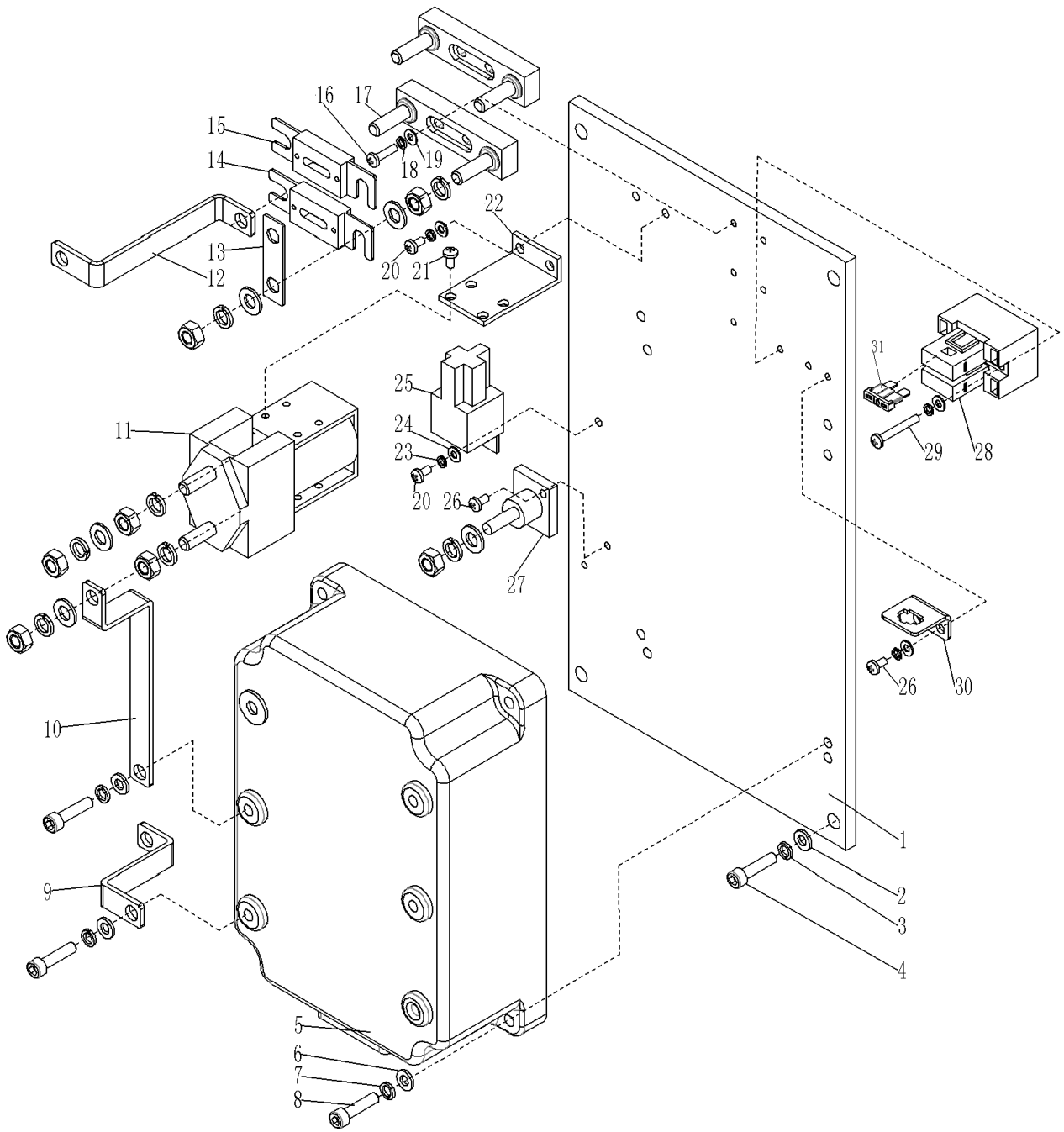
Fig.12 PT 27R Controller



**Fig. 12 PT 27R Controller**

No.	Art No.	Description	Qty.	Note
1	9000008936	Aluminium plate	1	
2	0000025005	Washer	4	8
3	0000025001	Washer	4	8
4	0000023078	Screw	4	M8x16
5	9000008940	Controller	1	CURTIS1234E-2371
6	0000025007	Washer	9	6
7	0000025010	Washer	9	6
8	0000023555	Screw	9	M6x16
9	9000008938	Copper bar	1	
10	9000008939	Copper bar	1	
11	2390434003	Contactor	1	SW180B-4 DC24V
12	9000008937	Copper bar	1	
13	1020434003	Copper bar	1	
14	1020434001	Fuse	1	200A
15	2210434004	Fuse	1	150A
16	0000023211	Screw	4	M4x16
17	1000434007	Fuse seat	2	SY Y
18	0000025018	Washer	12	4
19	0000025019	Washer	12	4
20	0000023516	Screw	3	M5x10
21	0000023017	Screw	4	M4x5
22	9000001306	Main contactor assembly frame	1	
23	0000025015	Washer	3	5
24	0000023032	Washer	3	5
25	1000434041	Pump contactor	1	ACR01F-F-1C DC24V
26	0000023071	Screw	4	M4x8
27	1020434002	M8 fixing point	1	BD-M8
28	9000008586	Fuse seat	1	BD-2X10A-1
29	0000023041	Screw	2	M4x30
30	9000007679	Plug fixing plate	1	
31	1000434040	Fuse	1	10A

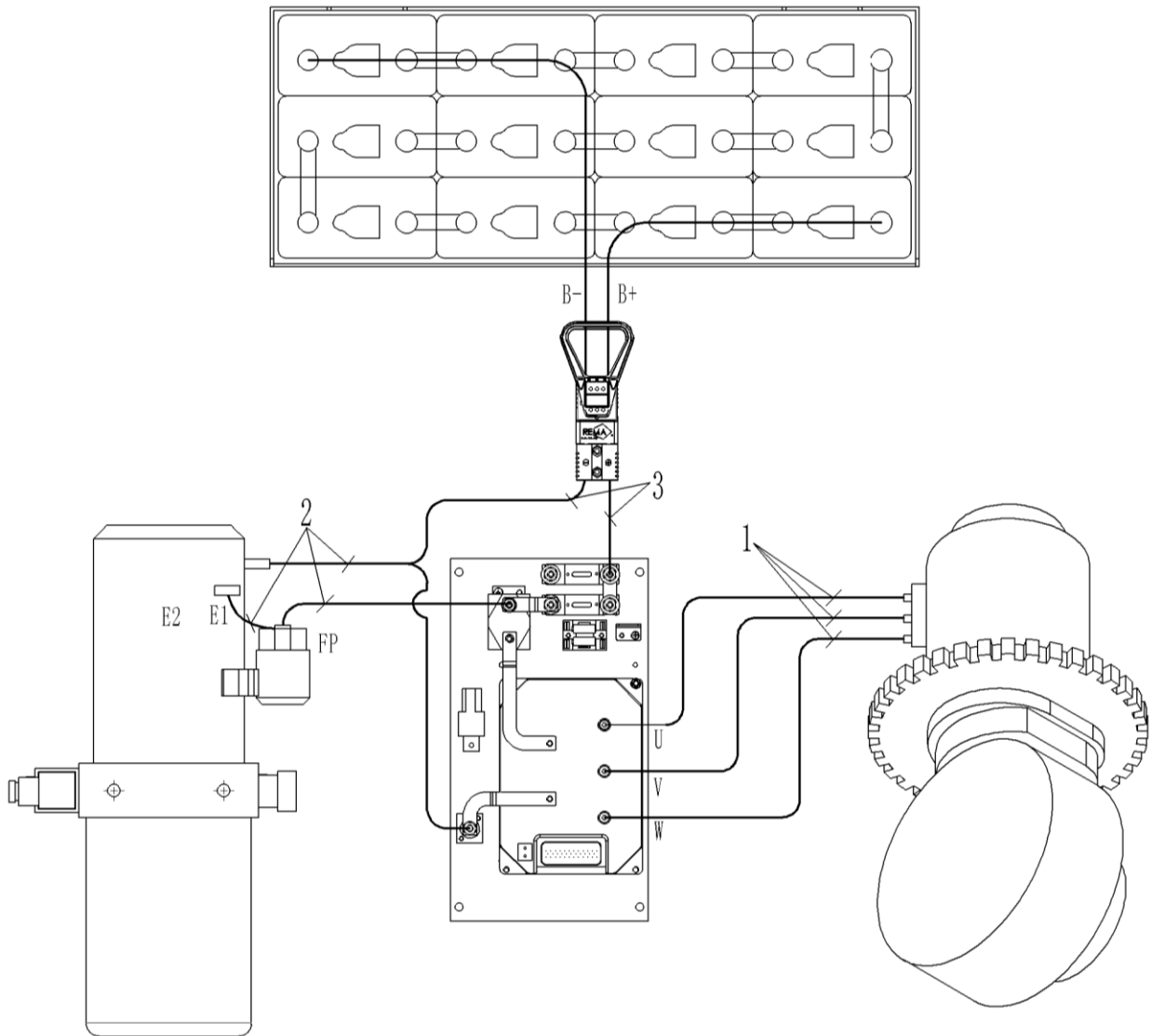
Fig.13 PT 36R Controller assembly



**Fig. 13 PT 36R Controller Assembly**

No.	Art No.	Description	Qty.	Note
1	9000008936	Aluminium plate	1	
2	0000025005	Washer	9	8
3	0000025001	Washer	9	8
4	0000023078	Screw	9	M8x16
5	9000010242	Controller	1	CURTIS1236E-4501
6	0000025007	Washer	4	6
7	0000025010	Washer	4	6
8	0000023193	Screw	4	M6x25
9	9000010238	Copper bar	1	
10	9000010239	Copper bar	1	
11	2390434003	Contactor	1	SW180B-4 DC24V
12	9000008937	Copper bar	1	
13	1020434003	Copper bar	1	
14	9000008635	Fuse	1	350A
15	2210434004	Fuse	1	150A
16	0000023211	Screw	2	M4x16
17	1000434007	Fuse seat	2	SY Y
18	0000025018	Washer	12	4
19	0000025019	Washer	12	4
20	0000023516	Screw	3	M5x10
21	0000023017	Screw	4	M4x5
22	9000001306	Main contactor assembly frame	1	
23	0000025015	Washer	3	5
24	0000023032	Washer	3	5
25	1000434041	Pump contactor	1	ACR01F-F-1C DC24V
26	0000023071	Screw	10	M4x8
27	1020434002	M8 fixing point	1	BD-M8
28	9000008586	Fuse seat	1	BD-2X10A-1
29	0000023041	Screw	2	M4x30
30	9000007679	Plug fixing plate	1	
31	1000434040	Fuse	1	10A

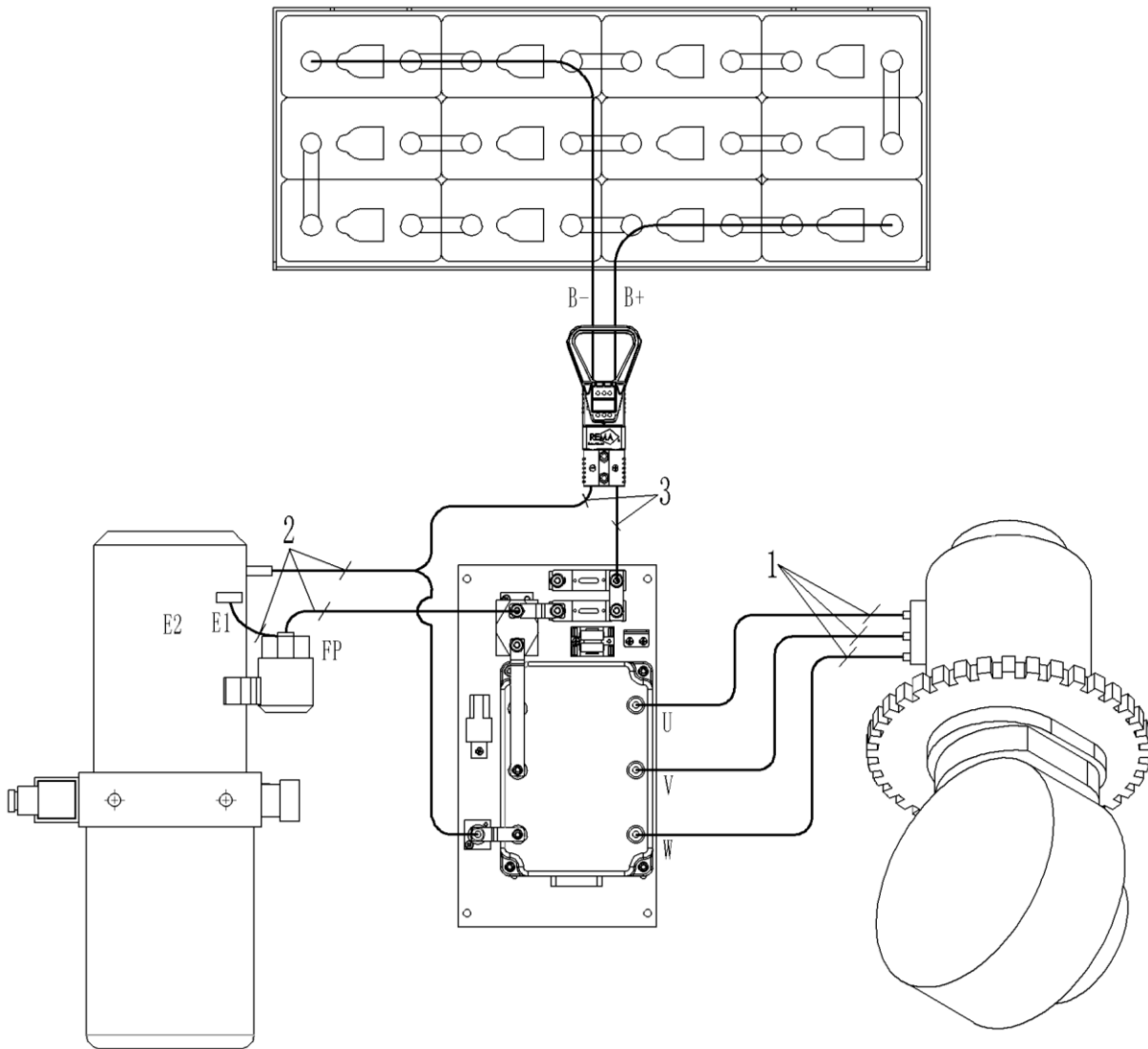
**Fig.14 PT 27R Main harness**



**Fig. 14 PT 27R Main Harness**

No.	Art No.	Description	Qty.	Note
1	9000010159	Drive motor cable	1	
2	9000010160	Pump motor cable	1	
3	9000010161	Power supply cable	1	

**Fig.15 PT 36R Main harness**



**Fig. 15 PT 36R Main Harness**

No.	Art No.	Description	Qty.	Note
1	9000010237	Drive motor cable	1	
2	9000010160	Pump motor cable	1	
3	9000010161	Power supply cable	1	

Fig.16 PT 27R Label

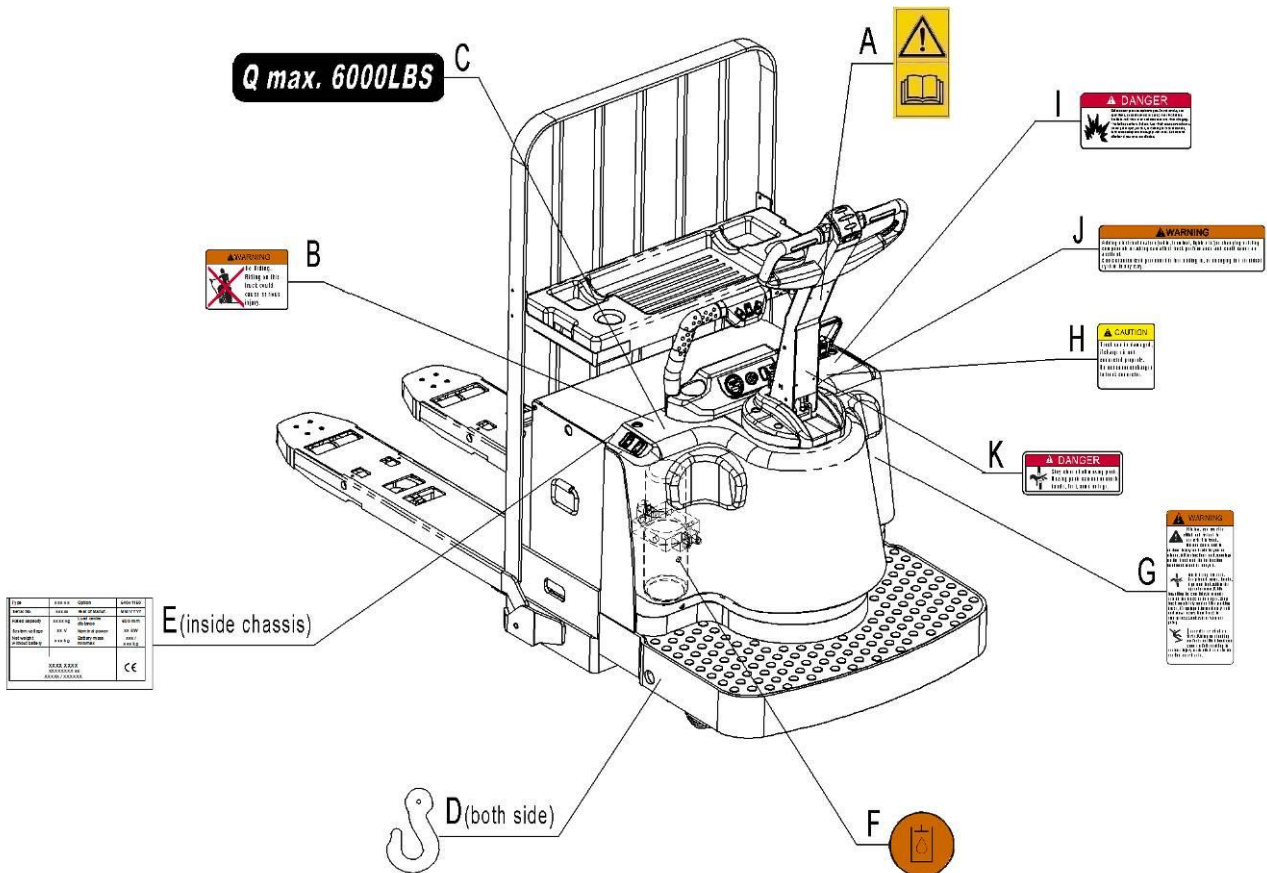


Fig. 16 PT 27R Label

No.	Art No.	Description	Qty.	Note
A	9000003570	Sign read and follow this instruction	1	
B	9000003580	'No passengers' decal	1	
C	9000009408	Sign capacity sticker (6000LBS)	1	
D	9000005967	Crane hook label	2	
E	9000010152	Identification plate	1	
F	9000008555	Filling sticker	1	
G	9000003575	Warning sticker	1	
H	9000003576	Warning sticker	1	
I	9000003577	Warning sticker	1	
J	9000003579	Warning sticker	1	
K	9000005970	Warning sticker	1	

Fig.17 PT 36R Label

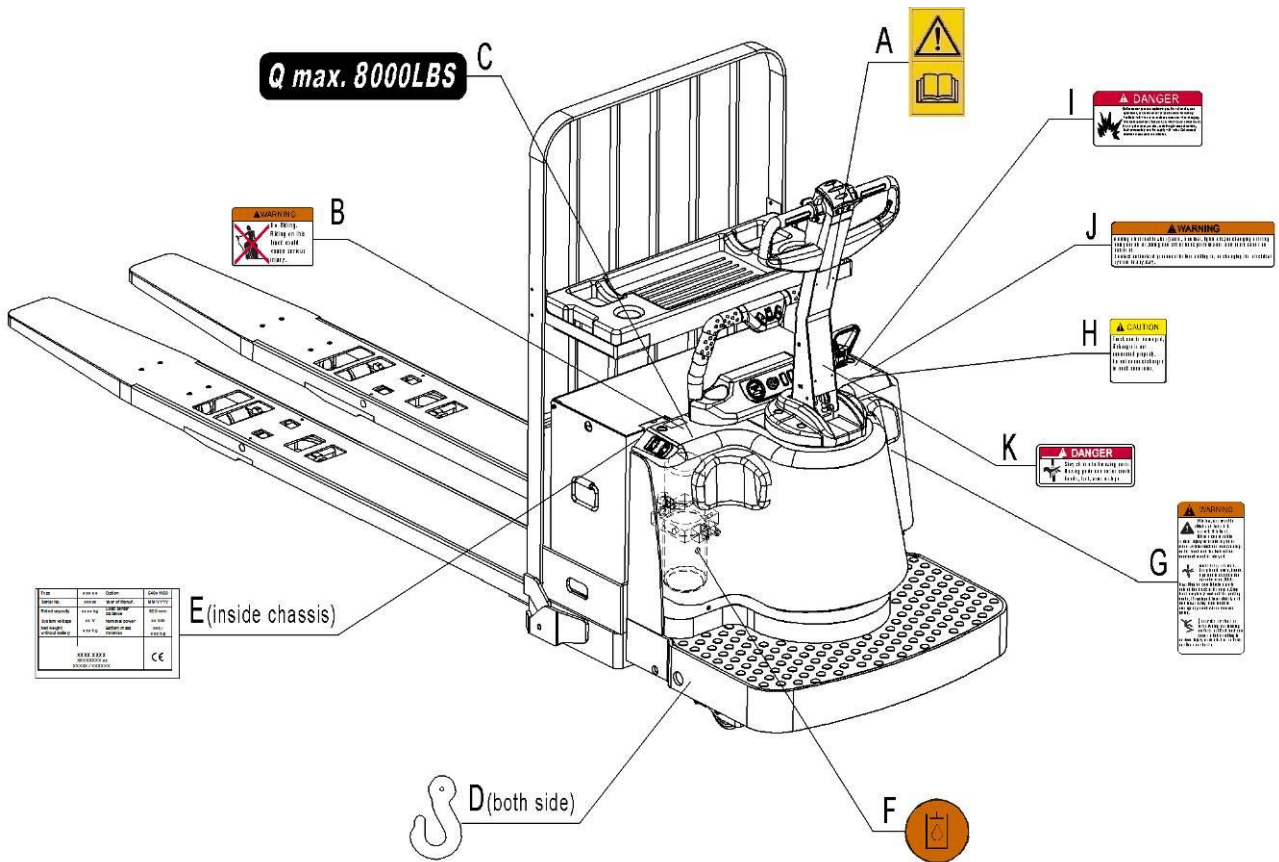


Fig. 17 PT 36R Label

No.	Art No.	Description	Qty.	Note
A	9000003570	Sign read and follow this instruction	1	
B	9000003580	'No passengers' decal	1	
C	9000010170	Sign capacity sticker (8000LBS)	1	
D	9000005967	Crane hook label	2	
E	9000010153	Identification plate	1	
F	9000008555	Filling sticker	1	
G	9000003575	Warning sticker	1	
H	9000003576	Warning sticker	1	
I	9000003577	Warning sticker	1	
J	9000003579	Warning sticker	1	
K	9000005970	Warning sticker	1	

### Easy worn parts list

No.	Part number	Name	Qty.	Fig./Position	Note
1	9000010055	Bushing (25X28X30)	4	Fig.1/5	Fork Frame
2	0000030002	Grease nipple M6	6	Fig.1/9	
3	9000009834	Bushing (25X28X15)	4	Fig.1/10	
4	9000008262	Bushing 20X23X15	4	Fig.1/18	
5	0000027001	Bearing 6204	8	Fig.1/23	
6	9000010073	Entry roller	8	Fig.1/28	
7	9000008792	Load roller 82X82	4	Fig.1/29	
8	9000008261	Bushing(15X17X15)	4	Fig.1/32	
9	0000030001	Grease nipple 6	4	Fig.1/34	
10	9000010034	Bushing (20X23X20)	4	Fig.1/37	
11	0000027060	Bearing 6202	16	Fig.1/55	
12	9000010055	Bushing (25X28X30)	4	Fig.2/5	
13	0000030002	Grease nipple M6	6	Fig.2/9	
14	9000009834	Bushing (25X28X15)	4	Fig.2/10	
15	9000008262	Bushing 20X23X15	4	Fig.2/18	
16	0000027001	Bearing 6204	8	Fig.2/23	
17	9000008792	Load roller 82X82	8	Fig.2/25	
18	9000010073	Entry roller	8	Fig.2/28	
19	0000030001	Grease nipple 6	4	Fig.2/31	
20	9000010034	Bushing (20X23X20)	4	Fig.2/34	
21	0000027060	Bearing 6202	16	Fig.2/52	
22	0000030002	Grease nipple M6	4	Fig.4/6	Electrical box components
23	9000010034	Bushing 20X23X20	4	Fig.4/30	Electrical box components
24	9000007764	Drive wheel	1	Fig.5/11	Drive wheel
25	1000413001	Bushing 20X23X15	2	Fig.6/8	Hydraulic system
26	9000010181	Y ring for axle 56*66*10/11	1	Fig.6/18	
27	9000010180	Dust ring	1	Fig.6/19	
28	1000413001	Bushing 20X23X15	2	Fig.7/8	

29	9000010149	U cover	1	Fig.7/18	
30	9000010148	Ring	1	Fig.7/19	
31	2000335002	Carbon brush (component)	1	Fig.8/2	Pump system
32	9000009781	Rocker switch 3203-00090-OAA	2	Fig.9/6	Electrical components
33	9000009782	Rocker switch 3203-00090-OC	2	Fig.9/7	
34	9000009783	Rocker switch 3203-00090-OD	1	Fig.9/13	
35	9000009784	Rocker switch 3203-00090-OE	2	Fig.9/14	
36	9000002376	Rocker switch 3203-00092-OV	1	Fig.9/15	
37	4000134001	Limit switch TZ-8104	1	Fig.9/24	
38	2020416001	Castor 124X60	1	Fig.10/5	Steering wheel
39	0000027001	Bearing 6204	2	Fig.10/6	
40	0090000037	Bearing 3205	1	Fig.10/11	
41	1000419001	Polyurethane spring	1	Fig.10/17	
42	9000008327	Proximity switch NBN5-F7-E5	1	Fig.11/11	Handle
43	1010121001	Air spring (S $\geq$ 55)	1	Fig.11/16	
44	1000113001	Bushing	2	Fig.11/18	
45	00900000549	Bearing 7208C	1	Fig.11/21	
46	1020434001	Fuse 200A	1	Fig.12/14	PT 27R Controller
47	2210434004	Fuse 150A	1	Fig.12/15	
48	1000434040	Fuse 10A	1	Fig.12/31	
49	9000008635	Fuse 350A	1	Fig.13/14	PT 36R Controller
50	2210434004	Fuse 150A	1	Fig.13/15	
51	1000434040	Fuse 10A	1	Fig.13/31	