

# Operating Instructions

## Parts List

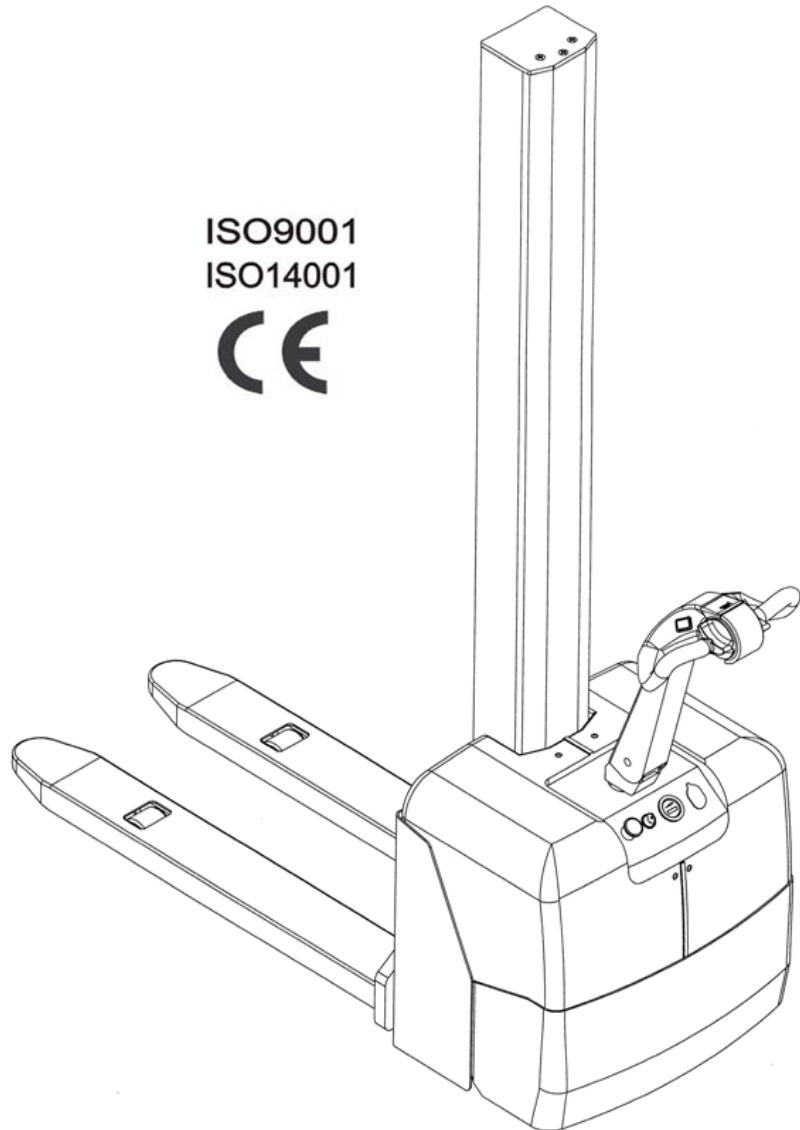
**CME1008**

**CME1016**

**CME1020**

ISO9001

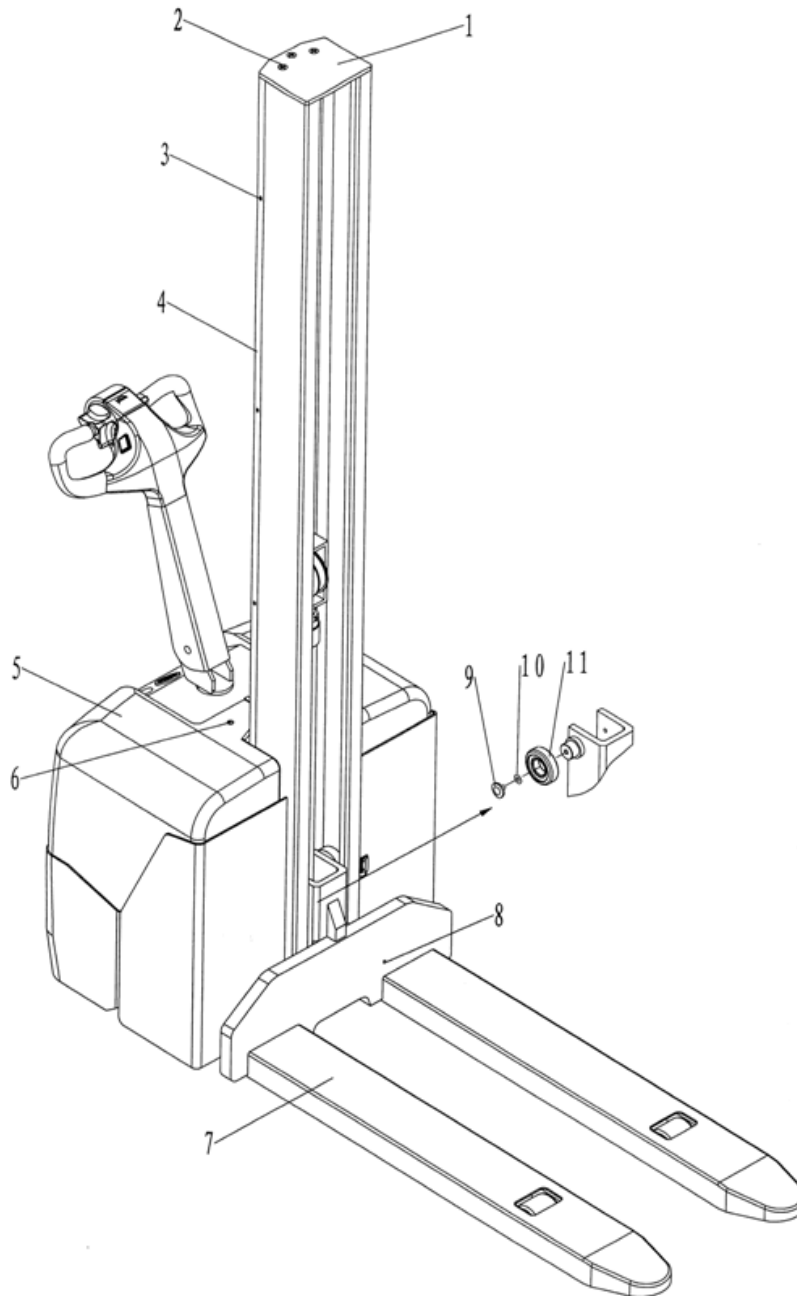
ISO14001



**Note: Do not use the truck before reading and understanding these operation instructions.**

## 8 Parts List

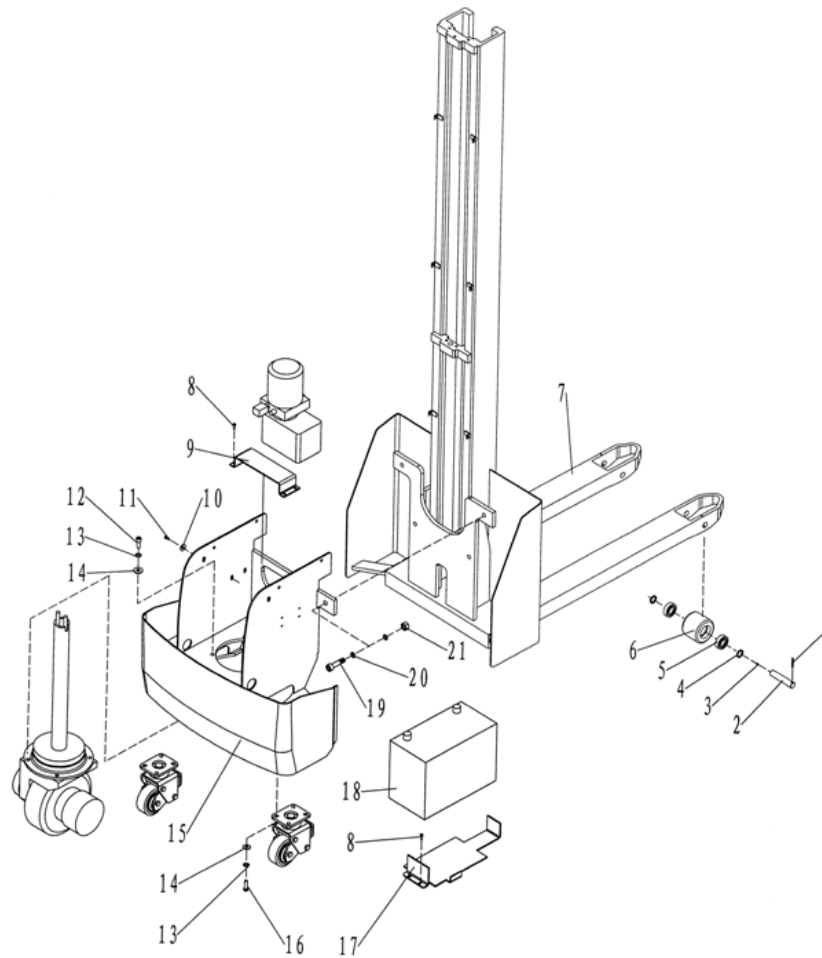
### 8.1 For CME Stacker



No.	Art No.	New Art No	Description	Qty.	Remark
1	120101	422140015	Cover plate	1	
2	120102	422530010	Screw	3	
3	120103	5010406010C0	Screw	6	
4	120104	D14200001 D14200002 D14200003	Cover	1	CME1008 CME1016 CME1020
5	120105	422140018 422140019	Cover (left,right)	2	left, right
6	21302	422420042	Screw	4	
7	120106	D14200012	Fork Carriage	1	
8	80113	30906400001	Magnetized plata for Non-contact switch	1	
9	120107	D14200014	Guide	4	

10	120108	D14200013	Washer	4	
11	120109	349010015	Roller(Complete)	4	

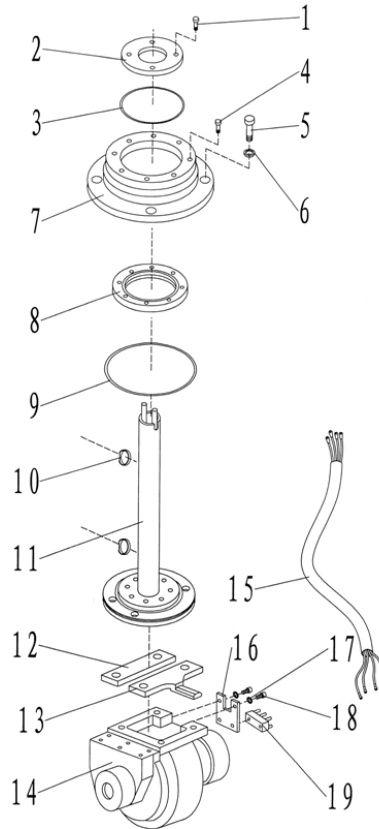
## 8.2 Mast system



No.	Art No.	New Art No	Description	Qty.	Remark
1	80408	505020043	Elastic pin	2	
2	120201	422040254	Axle for wheel	2	
3	120202	506060017	Grease cup	2	
4	80406	503010038	Washer	4	
5	80405	349010118	Bearing	4	
6	21131	30303YE053	Wheel	2	
7	120203	D14200004 D14200005 D14200006	Underpan	1	CME1008 CME1016 CME1020
8	120204	5010406012C0	Screw	8	
9	120205	422140014	Bracket	1	
10	120206	503010062	Washer	2	
11	120207	5010808016C0	Screw	2	
12	21215	5010410020CB	Screw	4	
13	120208	503010020	Elastic washer	12	
14	120209	503010020	Washer	12	
15	120210	D14200007	Box body	1	
16	120211	50101010030	Screw	4	

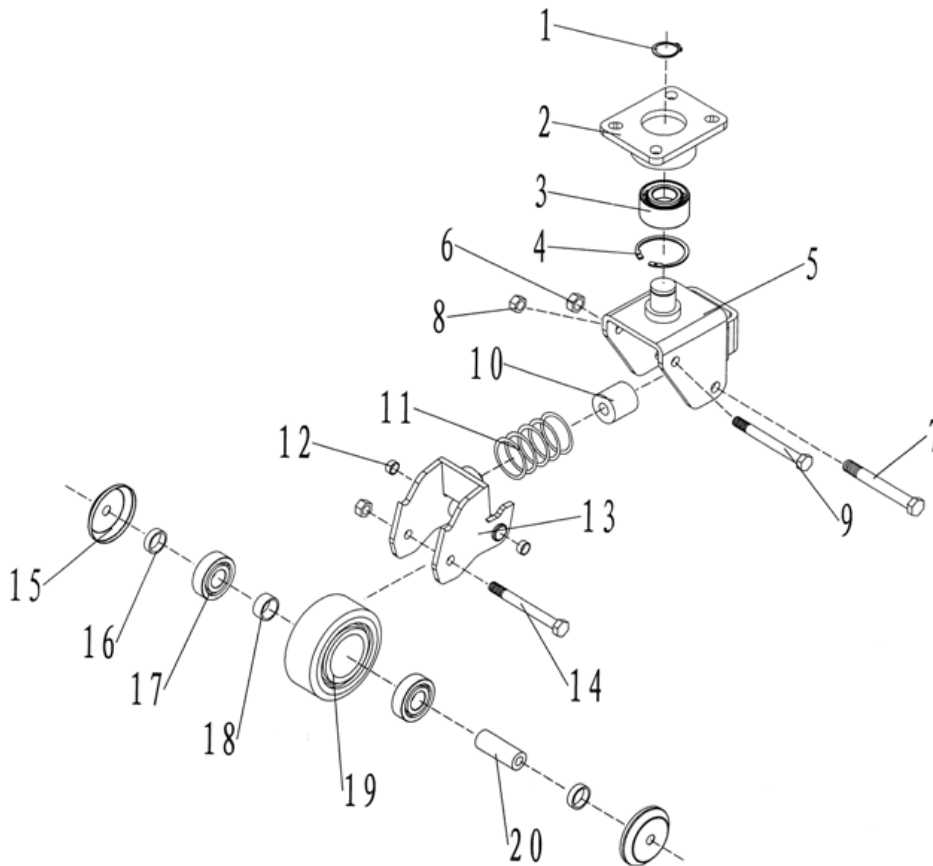
17	120212	D14200010 D14200011	Bracket (left,right)	2	left, right
18	120213	30901500004	Battery	2	
19	120214	501990039	Bolt	2	
20	120215	503010026	Washer	4	
21	120216	502040017	Nut	4	

### 8.3 Driving Wheel



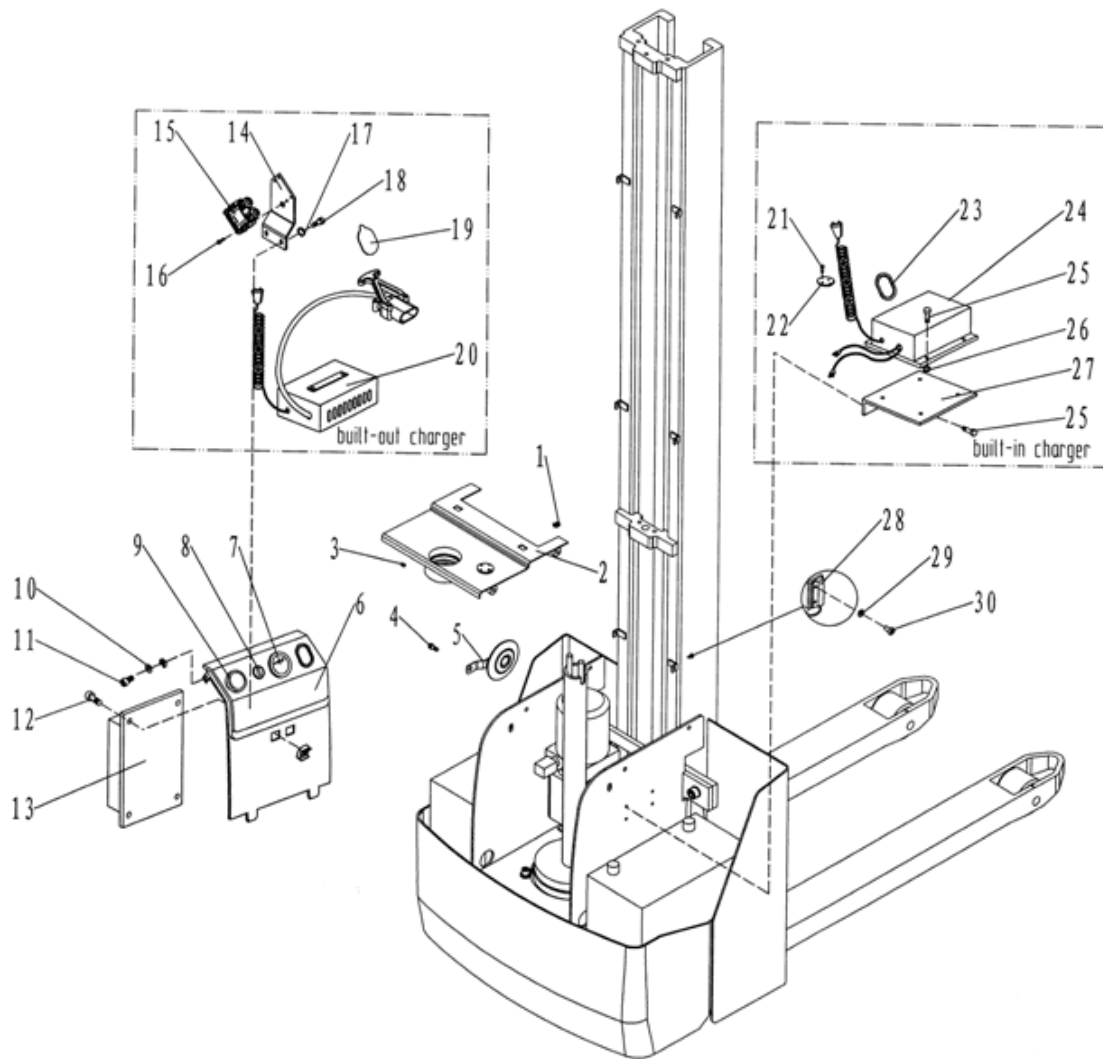
No.	Art No.	New Art No	Description	Qty.	Remark
1	21201	5010406020C0	Screw	4	
2	21202	422420060	Cover of bearing	1	
3	21203	504070137	O - ring	1	
4	21204	5010406025C0	Screw	8	
5	21205	5010410020CB	Screw	4	
6	21206	503010020	Elastic washer	4	
7	21207	C0456000301	Seat of bearing	1	
8	21208	349010041	Bearing	1	
9	21209	422420008	O - ring	1	
10	21210	506030137	Protect sleeve	2	
11	21211	351270005	Shaft	1	
12	21212	422420071	Linking board	1	
13	21213	C0456000201	Baffle	1	
14	21214	30903000043	Driving wheel kits	1	
15	21216		Cable	1	
16	21217		Plate	1	
17	21218	5010405020C0	Screw	2	
18	21219	503020020	Elastic washer	2	
19	21220		Pole	1	

## 8.4 Side Roller



No.	Art No.	New Art No	Description	Qty.	Remark
1	21235	504030018	Retaining ring	2	
2	21261	30308QT101	Interconnects	2	
3	21262	349010073	Bearing	2	
4	21240	504040025	Snap ring	2	
5	21263	30308QT104	Steering wheel frame	2	
6	21266	502040010	Locking nut	2	
7	21265	5010210093A0	Bolt	2	
8	21115	50204012B	Locking nut	4	
9	21264	422420088	Bolt	2	
10	21268	302990040	Spring	2	
11	21267	302010216	Spring	2	
12	21269	339010007	Bushing	4	
13	21270	30308QT103	rotating arm	2	
14	21242	5010210080AB	Bolt	2	
15	21243	422640058	Dust cover	4	
16	21244	503010040	Washer	4	
17	21124	349010118	bearing	4	
18	21246		Washer	2	
19	21247	30303YE013	Steering wheel	2	
20	21245	422640056	Axle	2	

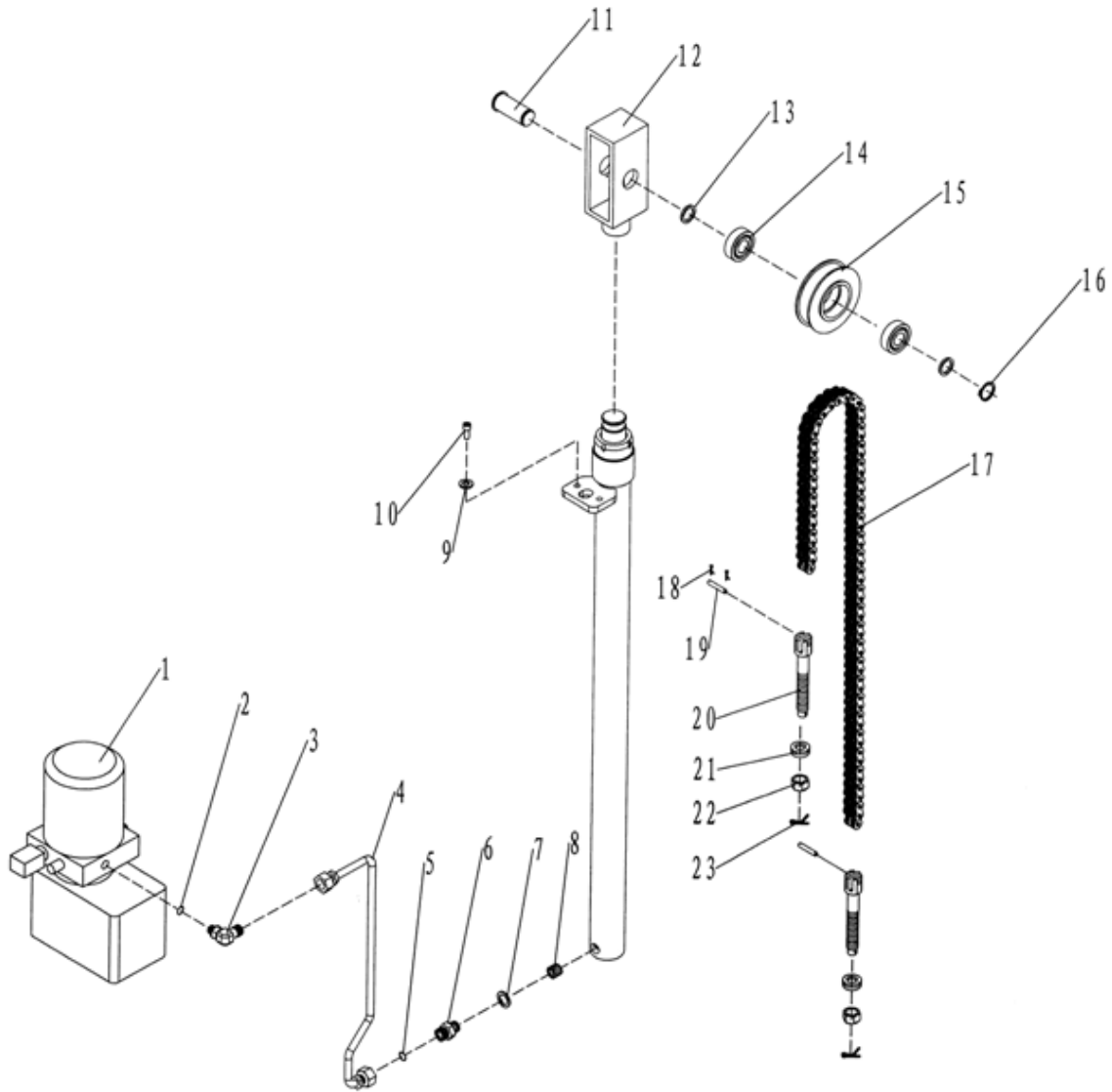
## 8.5 Electric System



No.	Art No.	New Art No	Description	Qty.	Remark
1	21315	422420047	Nut	6	
2	120301	D14200008 D14200009	Plate	1	External Version Internal Version
3	120302	506060022	Grease cup	1	
4	120303	5010410016C0	Screw	4	
5	21327	30906600006	Horn	1	
6	21312	422420004	Cover	1	
7	21307	30905100028	Battery indicator	1	
8	21308	30906200003	Power key	1	
9	21309	30906200002	Emergency switch	1	
10	120304	503010020	Washer	2	
11	120305	5010410016C0	Screw	2	
12	21314	5010406016C0	Screw	4	
13	21313	G200601001	Controller	1	
Outsdie charger					
14	21344	422420099	Linking board	1	
15	21342	30909100021	Charger plug	1	

16	21343	5010404 025C0	Screw	4	
17	21318	503010020	Elastic washer	5	
18	21201	501990038	Screw	5	
19	21340	422420087	Protect sleeve	1	
20	21341	30910100035 30910100038 30910100039 30910100048	Charger	1	European American Asian (English) Chinese
Built-in charger					
21	21304	5010603008C0	Screw	2	
22	21305	30909400008	Plug	1	
23	21306	506030021	Protect sleeve	1	
24	21320	30909700006 30909700009 30909700005 30909700003	Charger	1	Plug(Asian) Plug(American) Plug(European) Plug(Australian)
25	21319	5010505012C0	Screw	6	
26	21321	504010003	Rubber washer	4	
27	21322	422140009	Fixing plate for charger	1	
28	80114	30906400002	Non-contact switch	1	
29	80115	503010046	Washer	2	
30	80116	5010503010C0	Screw	2	

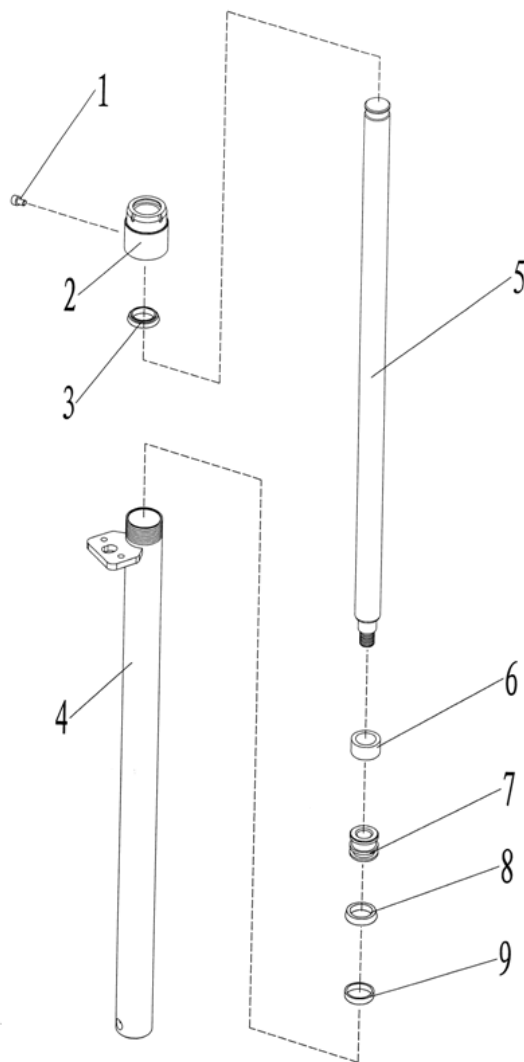
## 8.6 Hydraulic System



No.	Art No.	New Art No	Description	Qty.	Remark
1	120401	G20030001	Pump motor	1	
2	120402		Seal	1	
3	120403	422020387	Joint	1	
4	120404	30916400017	Oil pipe	1	
5	120405	G260201002	O-ring	2	
6	120406	422020073	Joint	1	
7	120407	G110201001	Seal washer	1	
8	81207	G110203006	Lowering valve	1	
9	120409	503020024	Washer	2	
10	120410	5010408025C0	Screw	2	
11	120411	422040248	Pin	1	
12	120412	C0421000301	Frame of roll	1	
13	120413	351080065	Washer	2	
14	120414	349010119	Bearing	2	
15	120415	422040401	Roller of chain	1	
16	120416	504030018	Retaining ring	1	

17	120417	349030181 349030088 349030090	Chain	1	CME1008 CME1016 CME1020
18	120418	505040030	Pin	4	
19	120419	422040252	Pin	2	
20	120420	422140004	Bolt	2	
21	120421	503010099 503010080	Washer(complete)	2	
22	120422	502040017	Nut	2	
23	120423	505040020	Pin	2	

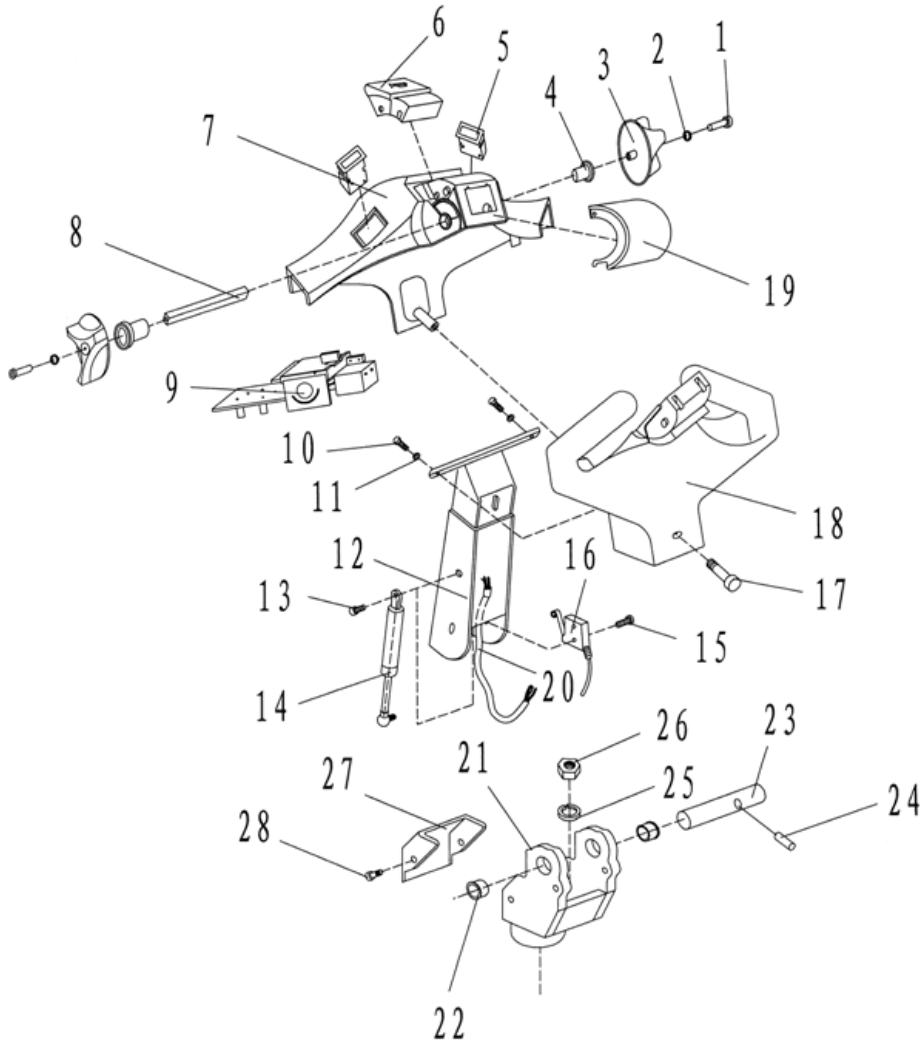
### 8.7 Pump Parts



No.	Art No.	New Art No	Description	Qty.	Remark
1	120501		Air screw	1	
2	120502		Cover of screw	1	
3	120503		Dust ring	1	
4	120504		Cylinder	1	
5	120505		Piston rod	1	
6	120506		Distance piece	1	

7	120507		Piston	1	
8	120508		Y ring	1	
9	120509		Holding ring	1	
		G20020001	Cylinder	1	CME1008
		351090002	Cylinder	1	CME1016
		351090001	Cylinder	1	CME1020

### 8.8 Control Handle Parts



No.	Art No.	New Art No	Description	Qty.	Remark
1	21401	5010603012C0	Screw	2	
2	21402	503020015	Washer	2	
3	21403	350190027	Hand wheel	2	
4	21404	422640056	Axle sleeve	2	
5	21405	30902700069+506040007	Button	2	
6	21406	422680058	Button for horn	1	
7	21407	G010101001	Cover	1	
8	21408	can not be provided alone	Axle of handle	1	
9	21409	821040286+30902300001	Controller	1	
10	21410	5010208018A0	Bolt	2	
11	21411	503020023	Elastic washer	2	
12	21412	422420037	Handle arm	1	

13	21413	422120226	Screw	1	
14	21414	422120199	Air spring	1	
15	21415	5010504020C0	Screw	2	
16	21323	30906300004	Micro switch	1	
17	21416	5010406010C0	Screw	3	
18	21417	G010101002	Handle	1	
19	21418	30902700030	Reversing button	1	
20	21419		Control cable	1	
21	21420	D06310029	Handle connector	1	
22	21421	339010038	Should bushing	2	
23	21422	301703006	Shaft	1	
24	21423	505020005	Elastic pin	1	
25	21206	503020006	Elastic washer	2	
26	21115	502030033	Locking nut	2	
27	21424	422420011	Cover	1	
28	21425	5010506010C0	Screw	2	