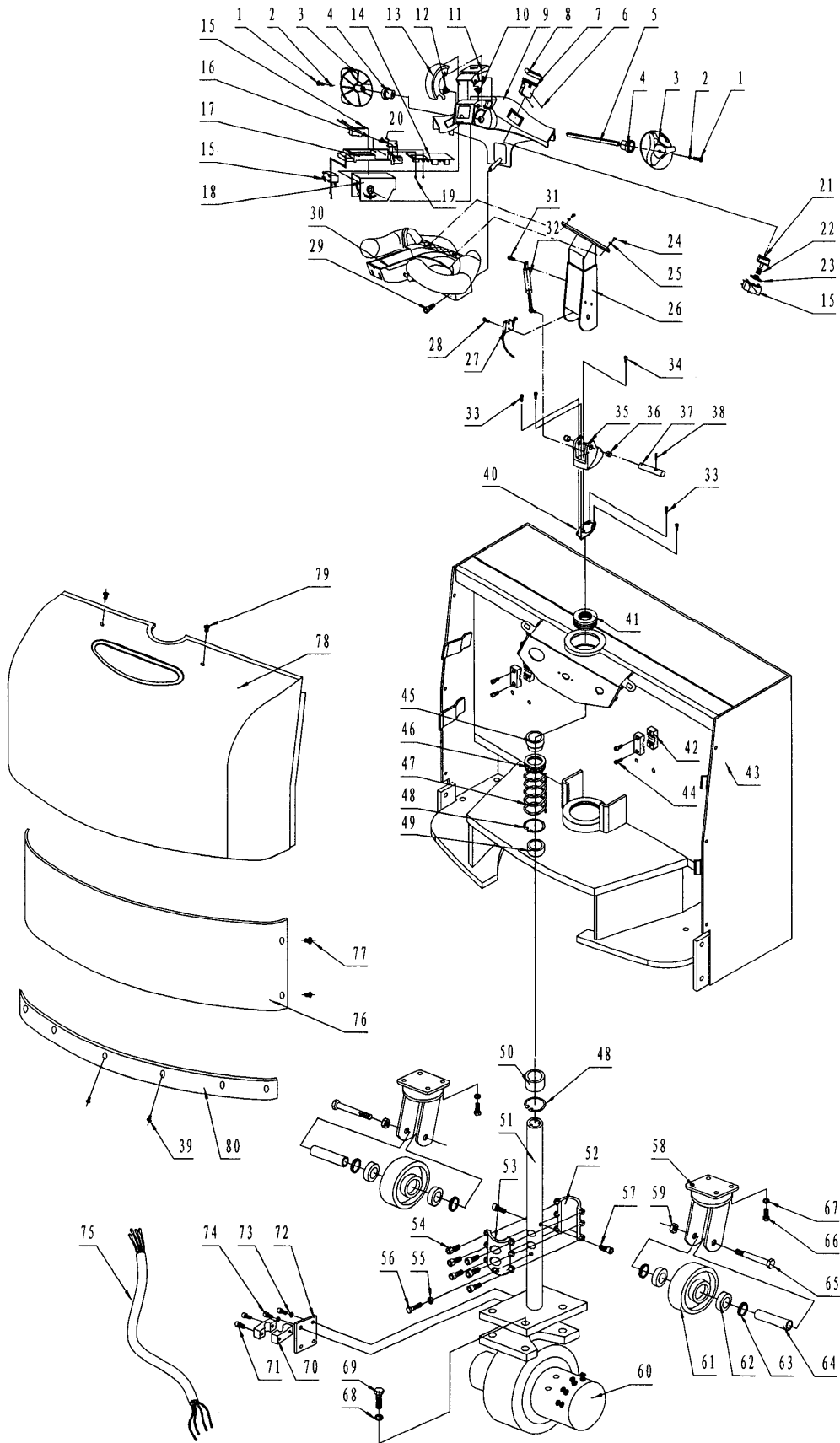


# 8 Parts List

## 8.1 Electrical Box

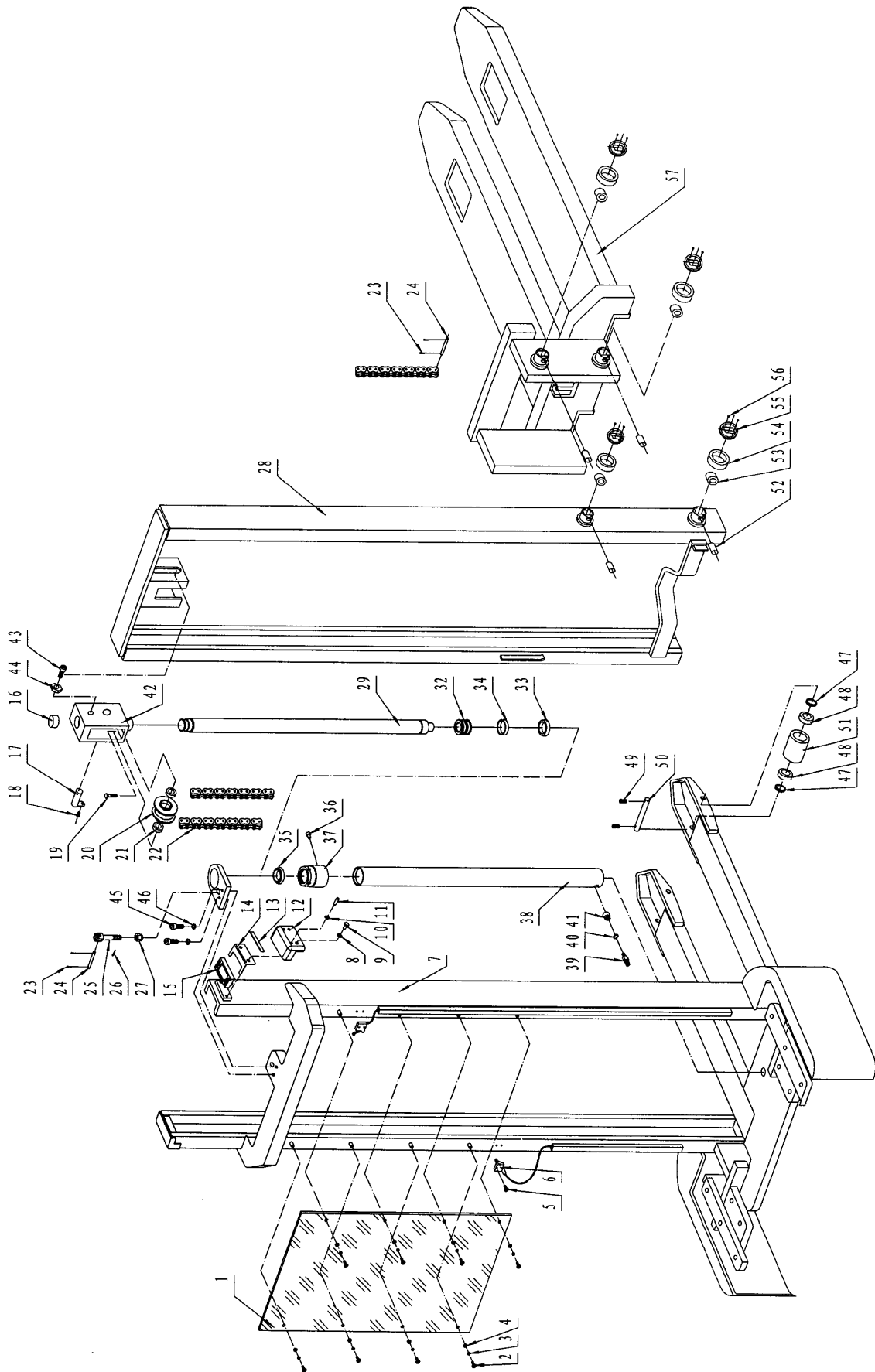


**Electrical Box**

<b>No.</b>	<b>NEW Art. No.</b>	<b>Art No.</b>	<b>Description</b>	<b>Qty</b>
1	5010603012C0	10101	Screw M3x10	2
2	503020015	10102	Washer 3	2
3	350190027	10103	Handle wheel	2
4	422640056	10104	Bushing	2
5		10105	Shaft	1
6		10106	Screw ST2.2×19	6
7		10107	Button frame	2
8	506030021	10108	Dust cover	2
9	G010101001	10109	Handle cover	1
10	302010054	10110	horn button spring	1
11	422680058	10111	Horn button	1
12		10112	Reverse button spring	1
13		10113	Reverse button	1
14	821040286	10114	Electronic panel	1
15	30902700069	10115	Micro switch	3
16		10116	Connection panel	1
17		10117	Splint	1
18	30902300001	10118	Timing	1
19		10119	Screw M4×6	2
20		10120	Screw ST3.5×13	2
21		10121	Button	2
22		10122	Spring	2
23		10123	Spring seat	2
24	5010208020A0	10124	Bolt M8x20	2
25	503020023	10125	Washer 8	2
26	422120193	10126	Handle	1
27	30902700069	10127	Micro switch	1
28		10128	Screw M4X22	2
29	5010406012C0	10129	Bolt M6×12	1
30	G010101002	10130	Handle	1
31	422120226	10131	Bolt M8x20	1
32	302990020	10132	Gas spring	1
33		10133	Bolt M8x20	4
34		10134	Bolt M8x30	1
35	D01180001	10135	Handle joint	1
36		10136	BushingΦ17xΦ19x10	2
37		10137	Shaft Φ17x71	1
38		10138	Elastic pin	2
39		10139	Screw	6
40		10140	Connect panel	1
41	506030021	10141	Dust cover	1
42		10142	Cable of clip	2

43	D142203001	10143	Box body	1
44	5010506025C0	10144	Screw M6x25	4
45	506050019	10145	Bushing	1
46	349010159	10146	Bearing 8111	1
47	302010201	10147	Spring	1
48	504040028	10148	Snap ring $\Phi 70$	2
49	422120036	10149	Bushing	1
50	506050020	10150	Bushing	1
51	351080093	10151	Axle	1
52	D06080088	10152	Strengthen hoop-B	1
53	D06080088	10153	Strengthen hoop -A	1
54	5010410025C0	10154	Screw M10x25	6
55	502030033	10155	Nut M10	1
56	5010410050C0	10156	Screw M10x50	1
57	5010410010C0	10157	Screw M10x10	2
58	D01180002	10158	Steering wheel frame	2
59	502040016	10159	Nut M14	2
60		10160	Driving wheel kits	1
61	G220401001	10161	wheel $\Phi 150 \times 54$	2
62	349010118	10162	Bearing 6204	4
63	422120099	10163	Washer $\Phi 20.5 \times \Phi 28 \times 3$	4
64	339120001	10164	Bushing	2
65	50101014100	10165	Bolt M14x100	2
66	5010412030C0	10166	Screw M12x30	8
67	<b>503010022</b>	10167	Washer $\Phi 12$	8
68	<b>503020009</b>	10168	Elastic washer $\Phi 12$	8
69		10169	Screw M10x30	8
70		10170	Cable of clip	4
71	5010406030C0	10171	Screw M6x30	8
72		10172	Cable of clip fit	1
73	503020021	10173	Elastic washer $\Phi 6$	2
74		10174	Screw M6x12	2
75		10175	Motor cable	1
76	D12060019	10176	Lower boarding	1
77	422420042	10177	Screw M10x20	4
78	422120047	10178	Box cover	1
79	422420041	10179	Screw M10	2
80	422160087	10180	Shield	1

## 8.2 CLE1229 Mast system

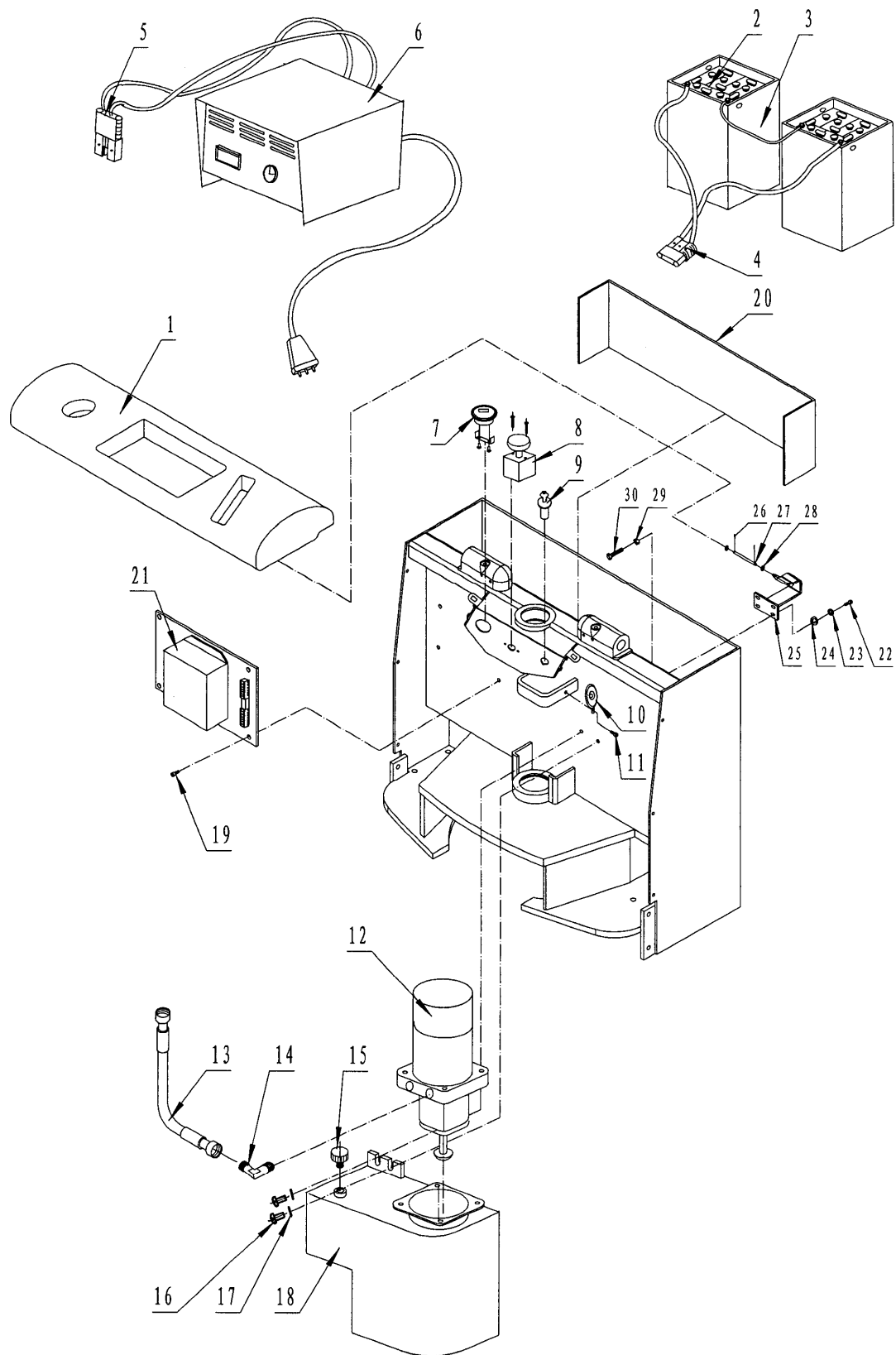


### CLE1229 Mast system

No	NEW Art. No.	Art No.	Description	Qty
1	422160085	10201	Shield	1
2	5010506016C0	10202	Screw	8
3	503010058	10203	Washer	8
4	506030109	10204	Rubber washer	8
5		10205	Screw M4x25	4
6		10206	Micro switch	2
7		10207	Mast	1
8	503010019	10208	Washer Φ8	4
9	5010208016A0	10209	Bolt M8x16	4
10	502020015	10210	Nut	4
11	5010708030C0	10211	Screw	4
12	C0425000601	10212	Clearance seat	2
13	D12100010	10213	Orientation seat	2
14	422160019	10214	Clearance scaleboard	2
15	823990100	10215	Clearance block	2
16	506030061	10216	Buffer washer	1
17	301703009	10217	Axle pin kits	1
18	5010606008C0	10218	Screw M6x8	1
19		10219	Screw M12x25	1
20	422160007	10220	Chain wheel	1
21	349010120	10221	Bearing 60205	2
22	349030125	10222	Chain (P=19.05)	1
23	505040030	10223	Pin 2x16	4
24	301799007	10224	Retaining pin B8x35	2
25	422160020	10225	Chain rod	1
26	505040014	10226	Pin 3.2x18	2
27	502040017	10227	Locking nut M16	1
28		10228	Mast	1
29		10229	Piston rod	1
30		10230		
31		10231		
32		10232	Piston	1
33		10233	Seal ring	1
34		10234	Ring	1
35		10235	Dust ring	1
36		10236	Screw	1
37		10237	Cover	1
38		10238	Cylinder	1
39		10239	Joint	1
40		10240	Seal ring	1
41		10241	Valve	

42	C0420003501	10242	Frame	1
43	5010416030C0	10243	Screw	2
44	502020018	10244	Nut M16x1.5	2
45		10245	Bolt M10x25	2
46		10246	Elastic washer 10	2
47	503010039	10247	Washer	8
48	349010118	10248	Bearing 60204	4
49	505020044	10249	Elastic pin $\Phi$ 4x50	4
50	G220402001	10250	shaft $\Phi$ 20x124	2
51	G220402002	10251	Wheel	2
52		10252	Side idler wheel shaft	8
53		10253	Outside of side idler wheel	8
54		10254	Outside of main idler wheel	8
55		10255	Cover	8
56		10256	Crew M4x10	16
57		10257	Pallet	1

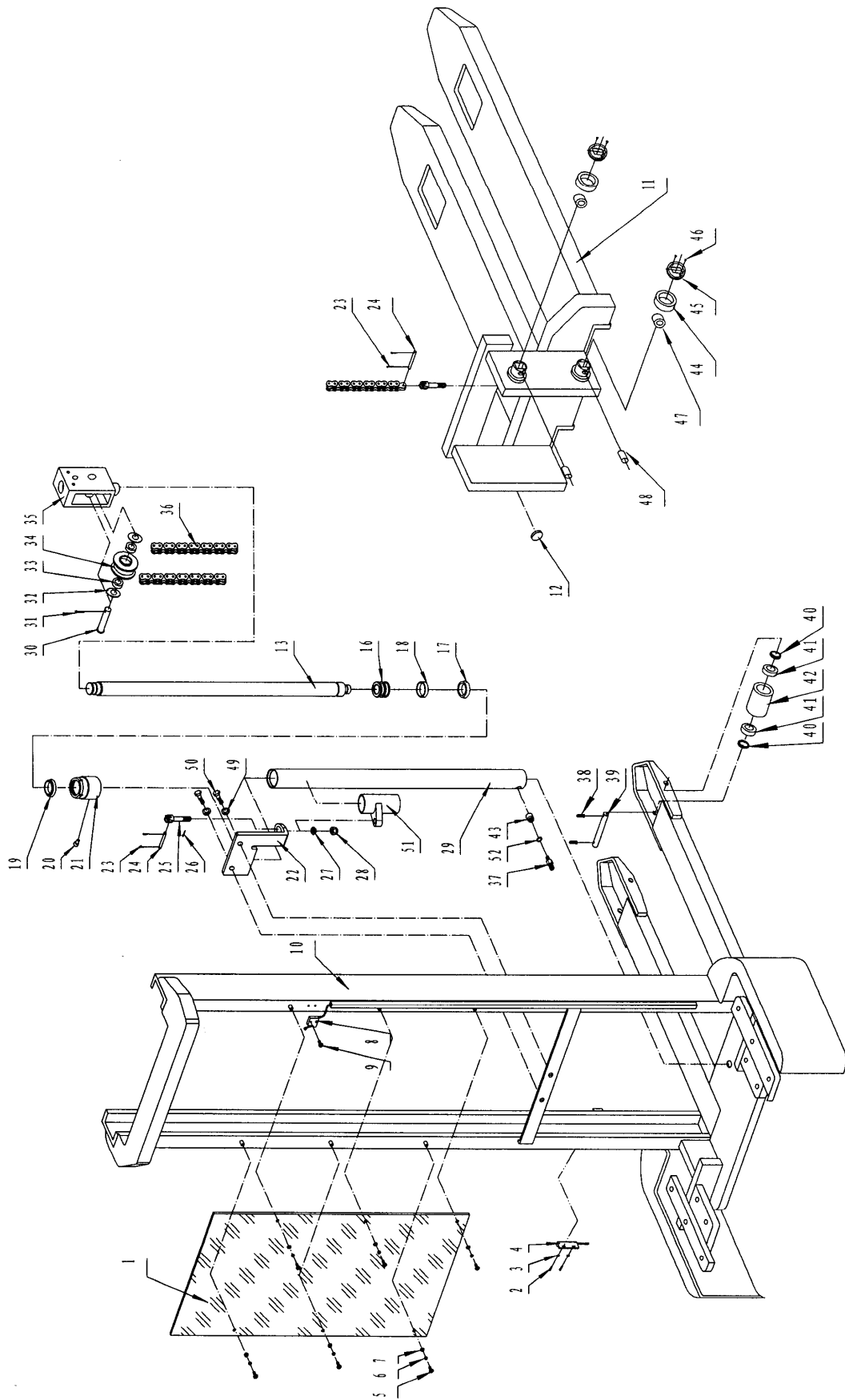
### 8.3 Hydraulic system



## Hydraulic system

No.	NEW Art. No.	Art No.	Description	Qty
1	422120046	10301	Battery cover	1
2		10302	Battery	1
3		10303	Battery box	1
4		10304	Socket	1
5		10305	Plug	1
6		10306	Charger	1
7		10307	Indicator	1
8		10308	Emergency button	1
9		10309	Lock	1
10		10310	Horn	1
11		10311	Screw M6X10	2
12		10312	Oil pump motor	1
13		10313	Pipe A8-I-1300	1
14		10314	joint	1
15		10315	Gas screw	1
16		10316	Screw M8x10	2
17		10317	Washer $\Phi 8$	2
18		10318	Oil tank	1
19		10319	Screw M8X15	4
20		10320	Frame	1
21		10321	Electric control	1
22	5010505016C0	10322	Screw M5x15	8
23	503020020	10323	Standard elastic washer5	8
24	503010056	10324	Washer 5	8
25	D12070022	10325	Bracket	2
26	505040002	10326	Pin $\phi 1 \times 8$	4
27	505020043	10327	Snap pin 4x45	2
28	503010052	10328	Washer 4	4
29		10329	Nut	2
30		10330	Screw	2

# 8.4 CLE1216 Mast system



CLE1216 Mast system

No.	NEW Art. No.	Art No.	Description	Qty
1	Safety Board	10401	Guard board	1
2		10402	Screw	2
3		10403	Washer	2
4		10404	Magnetism switch	1
5	5010506016C0	10405	Screw	6
6	503010058	10406	Washer	6
7	506030109	10407	Rubber washer	6
8		10408	Micro switch	1
9		10409	Screw M4x25	2
10		10410	Mast	1
11		10411	Pallet frame	1
12		10412	Alnico	1
13		10413	Piston rod	1
14		10414		
15		10415		
16		10416	Piston	1
17		10417	Seal ring	1
18		10418	Ring	1
19		10419	Dust ring	1
20		10420	Screw	1
21		10421	Cover	1
22	422160031	10422	Frame	1
23		10423	Pin $\Phi$ 2x18	4
24		10424	Shaft $\Phi$ 8x40	2
25		10425	Chain rod	1
26		10426	Pin $\Phi$ 4x35	2
27		10427	Thin nut M16	1
28		10428	Nut M16	2
29		10429	Cylinder	1
30		10430	Chain wheel shaft	1
31		10431	Pin $\Phi$ 4x40	1
32	351080065	10432	Washer	1
33	349010120	10433	Bearing 60205	1
34	422160007	10434	Chain wheel	1
35	C0420003501	10435	Chain wheel frame	1
36	349030166	10436	Chain	1
37		10437	Joint	1
38	505020044	10438	Elastic pin $\Phi$ 4x50	4
39	G220402001	10439	Wheel shaft	2
40	503010039	10440	Washer	4
41	349010118	10441	Bearing 60204	4

42	G220402002	10442	Wheel	2
43		10443	Valve	1
44		10444	Outside of main wheel	4
45		10445	Cover	4
46		10446	Screw M4x10	8
47		10447	Outside of side wheel	4
48		10448	Shaft	4
49	503020023	10449	Elastic washer 8	2
50	5010408016C0	10450	Screw M8x16	2
51		10451	Seat	1
52		10452	Seal washer	1
53		10453	Screw M10x20	2