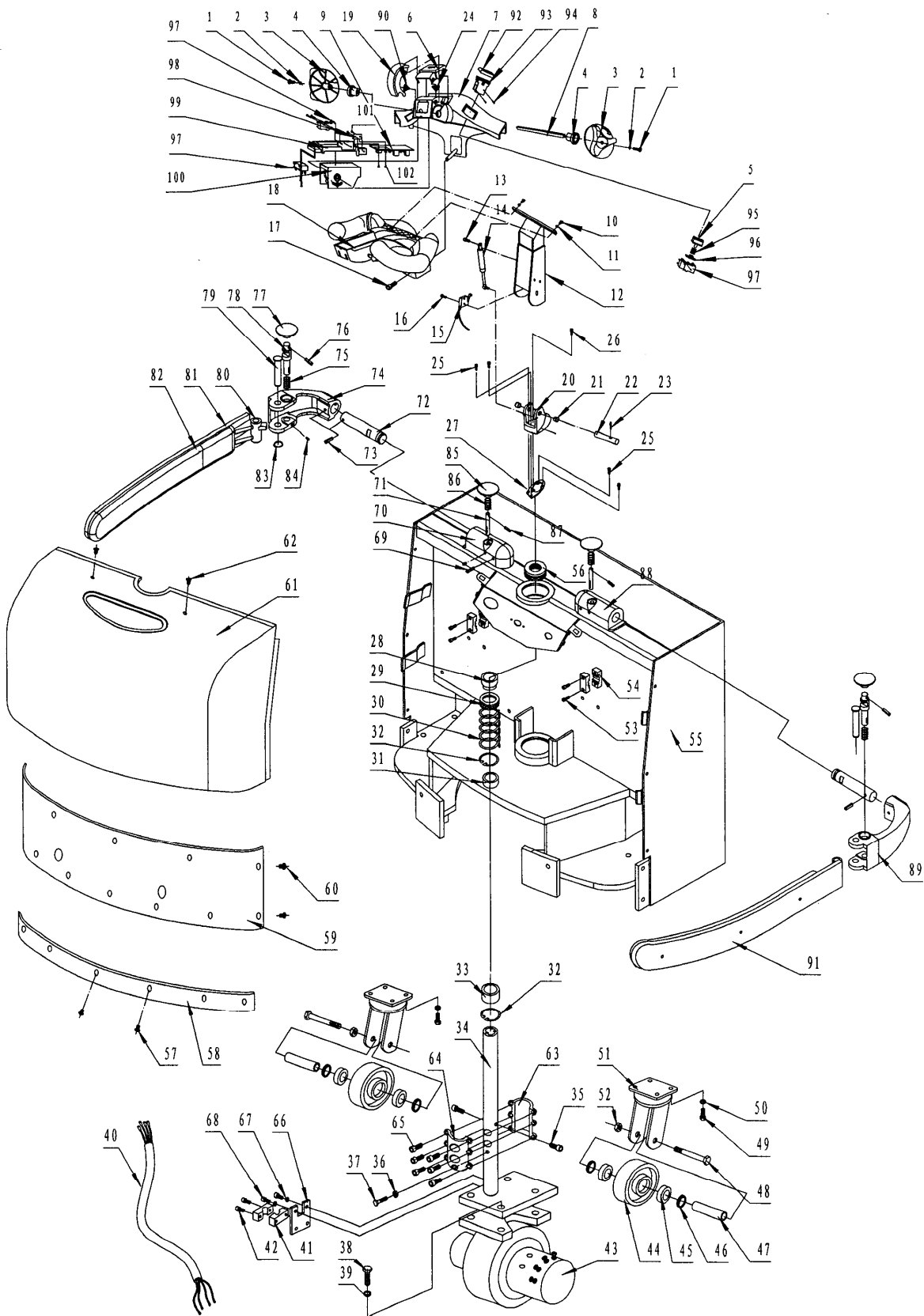


8 Parts List

8.1 Electrical Box



Electrical Box

No.	NEW Art. No.	Art No.	Description	Qty.
1	5010603012	10101	Screw	2
2	503020015	10102	Washer	2
3	350190027	10103	Hand wheel	2
4	422640056	10104	Axle sleeve	2
5		10105	Button	2
6	422680058	10106	Button for horn	1
7	G010101001	10107	Cover	1
8		10108	Axle of handle	1
9	821040286	10109	Circuit board	1
10	5010208020	10110	Screw	2
11	503020023	10111	Standard washer	2
12	422120193	10112	Handle arm	1
13	422120226	10113	Screw	1
14	302990020	10114	Air spring	1
15	3090270006	10115	Micro switch	1
16		10116	Screw	2
17	5010406012	10117	Screw	1
18	G010101002	10118	Handle body	1
19	3090270003	10119	Button for emergency switch	1
20	D01180001	10120	Joint of handle	1
21	339010038	10121	Bushing	2
22	301703006	10122	Shaft	1
23	505020005	10123	Elastic pin	1
24	302010054	10124	Spring	1
25	422120226	10125	Screw	4
26	5010208020	10126	Screw	2
27		10127	board	1
28	506050019	10128	Sleeve	1
29	349010159	10129	Bearing	1
30	302010201	10130	Spring	1
31	422120036	10131	Sleeve of spring	1
32	504040028	10132	Retaining ring	2
33	506050020	10133	Oriented sleeve	1
34	351080093	10134	Axle with flange	1
35	5010410010	10135	Screw	2
36	502030033	10136	Nut	1
37	5010410050	10137	Bolt	1
38	5010101205	10138	Bolt	4
39	503020009	10139	Washer	4
40		10140	Cable	1
41		10141	Cable of clip	1
42	5010406030	10142	Screw	2
43		10143	Drive Motor	1
44	G220401001	10144	Steering wheel	2
45	349010118	10145	Bearing	4
46	422120099	10146	Washer	4
47	339120001	10147	Axle for wheel	2
48	5010101410	10148	Bolt	2
49	5010412030	10149	Screw	8
50	503010022	10150	Elastic washer	8
51	D01180002	10151	Frame of steering wheel	2
52	502040016	10152	Nut	2
53	5010506025	10153	Screw	4

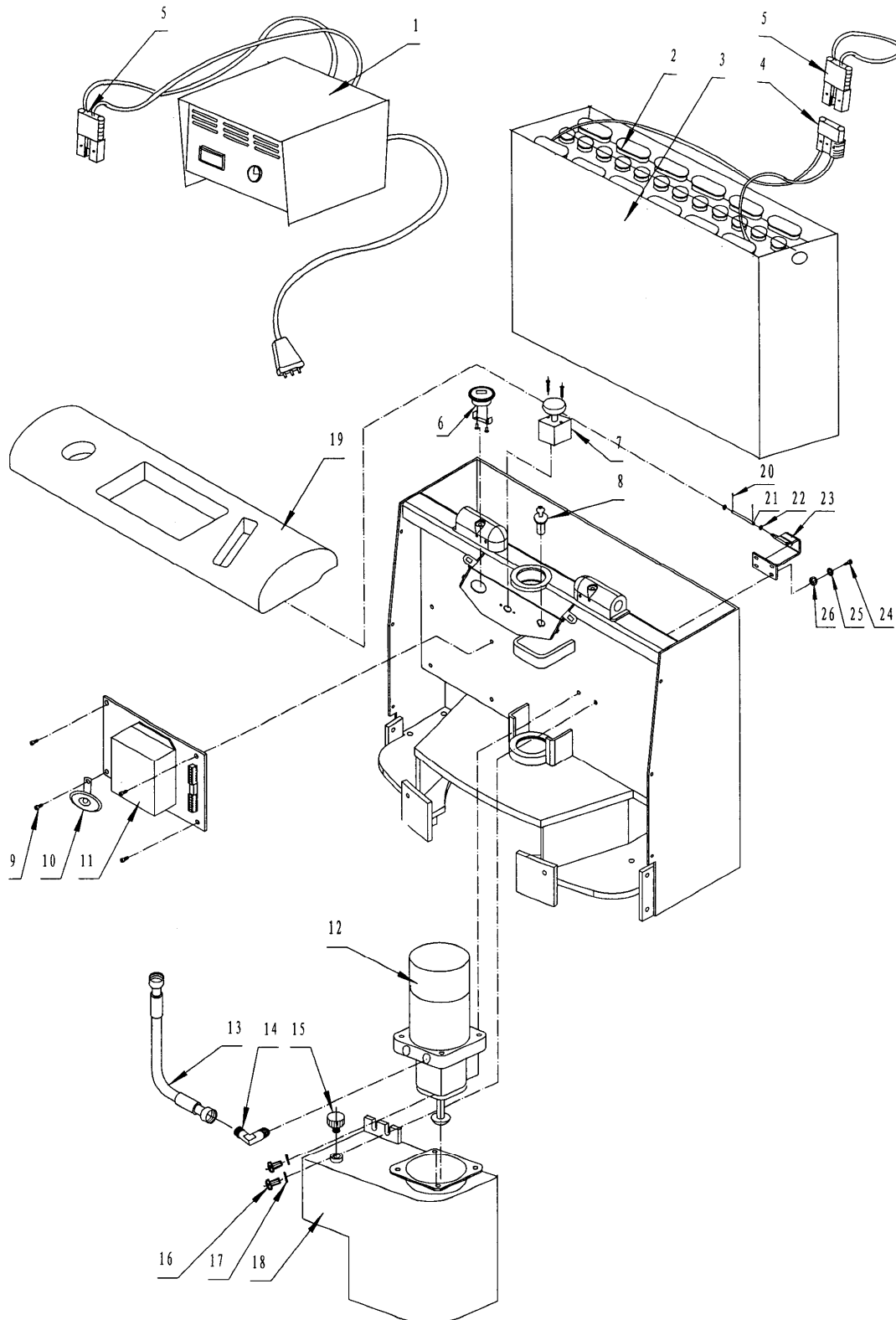
54		10154	Cable of clip	2
55	422120274	10155	Box body	1
56	506030021	10156	Dust cover	1
57	5010608030	10157	Screw	6
58	422120275	10158	board	1
59	D12070020	10159	Fixing plate	1
60	422420042	10160	Screw	4
61	422120047	10161	Cover	1
62	422420041	10162	Screw	2
63	D06080088	10163	Hood, reinforce-B	1
64	D06080088	10164	Hood, reinforce-A	1
65	5010410025	10165	Screw	6
66		10166	Fixing plate	1
67	503020021	10167	Elastic washer	2
68		10168	Screw	2
69	505020061	10169	Elastic pin	2
70	422420110	10170	Axle base, left	1
71	301703002	10171	Axle	2
72	301703008	10172	Axle	2
73	505020095	10173	Elastic pin	2
74	422420108	10174	Joint seat, left	1
75	302010130	10175	Spring	2
76	505020047	10176	Elastic pin	2
77	422120058	10177	Hand wheel	2
78	301703001	10178	Locking axle	2
79	301703005	10179	Pin	2
80		10180	Joint	2
81	422420106	10181	Protective arm, left	1
82		10182	rubber	2
83	504030006	10183	Elastic ring	2
84	5011106012	10184	Locking screw	2
85	422120056	10185	Hand wheel	2
86	302010118	10186	Spring	2
87	505020047	10187	Elastic pin	2
88	422420111	10188	Axle base, right	1
89	422420109	10189	Joint seat, right	1
90	302010078	10190	Spring	1
91	422420107	10191	Protective arm, right	1
92		10192	Dust cover	2
93		10193	Frame of button	2
94		10194	Screw	6
95		10195	Spring	2
96		10196	Spring seat	2
97	3090270006	10197	Micro switch	3
98		10198	Linking plate	1
99		10199	Splint	1
100	3090230000	101100	Timing	1
101		101101	Screw	2
102		101102	Screw	1

CLB1229、CLB1232、CLB1236 Mast system

No.	NEW Art. No.	Art. No.	Description	Qty
1		10201	Safety board	1
2	5010210025AB	10202	Screw	2
3	503020007	10203	Washer	2
4	5010410016C0	10204	Screw	2
5	5010506016C0	10205	Screw	8
6	503010058	10206	Flat washer	8
7	506030109	10207	Rubber washer	8
8		10208	Micro switch	2
9	5010404025C0	10209	Screw	4
10		10210	Mast	1
11		10211	Fork Carriage	1
12	506030061	10212	Damper	1
13	505040030	10213	Spilt pin	4
14		10214	Inner mast	1
15	5010416030C0	10215	Bolt	2
16	502020018	10216	Nut	2
17	301703009	10217	Shaft for chain roller	1
18	5010606008C0	10218	Screw	1
19	5010212025A0	10219	Screw	1
20	422160007	10220	Chain roller	1
21	349010120	10221	Bearing	2
22	349030166	10222	Chain	1
23	351080065	10223	Washer	1
24		10224	Shaft	2
25	422160020	10225	Bolt for chain	1
26		10226	Spilt pin	1
27	502030013	10227	Nut	1
28	G220402001	10228	Axle for wheel (for single wheel)	2
29		10229	Piston rod	1
30		10230		
31		10231		
32	G220201002	10232	Piston	1
33	G110203005	10233	Seal Washer	1
34		10234	Holding ring	1
35	504080020	10235	Dust ring	1
36	G25020014	10236	Screw	1
37	G220201006	10237	Cover	1
38		10238	Cylinder	1
39	422020073	10239	Joint	1
40	503030008	10240	Seal ring	1
41	G110203006	10241	Valve	1

42	C0420003501	10242	Chain roller seat	1
43	G220402004	10243	Linking plate (for tandem wheel)	4
44	505020051	10244	Elastic pin (for tandem wheel)	8
45		10245	Cover	8
46	5010504010C0	10246	Screw	16
47	503010039	10247	Washer	8
48	349010118	10248	Bearing	4/8
49	G220402005	10249	Wheel (for tandem wheel)	4
50	G220402003	10250	Axle for wheel(for tandem wheel)	4
51		10251	Shaft	8
52		10252	Roller	8
53		10253	Roller	8
54	G220402002	10254	Wheel (for single wheel)	2
55	505020044	10255	Elastic pin (for single wheel)	4

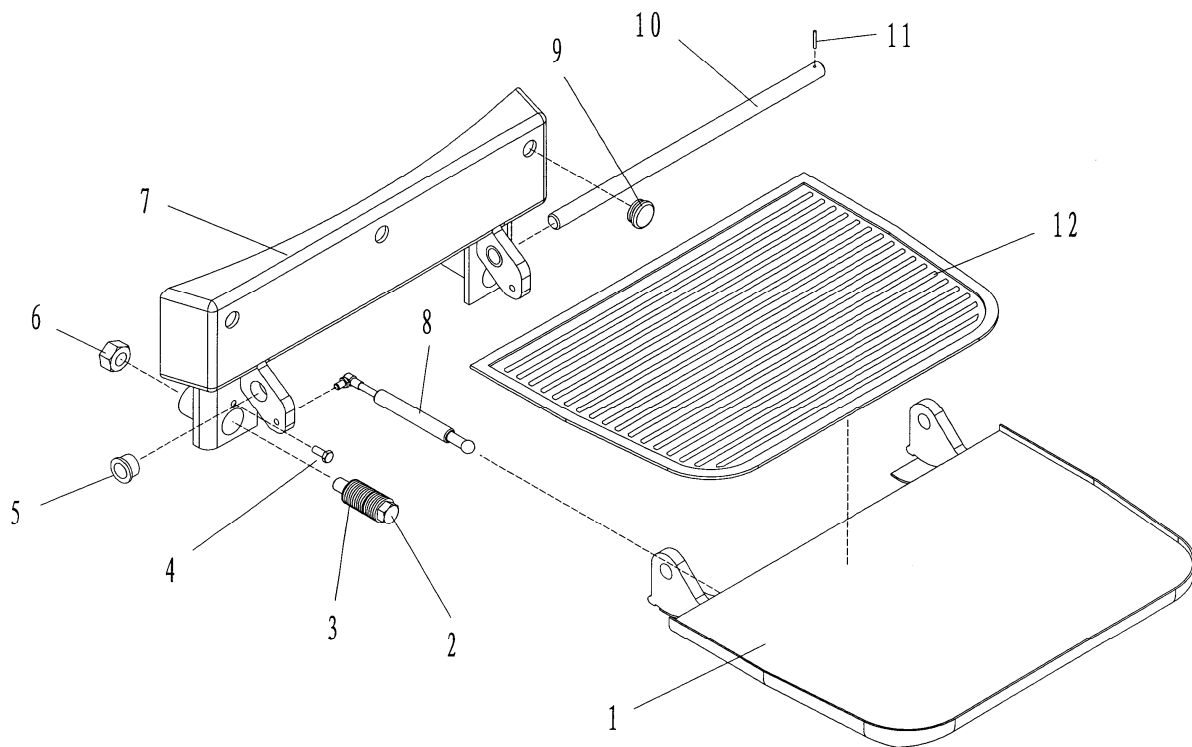
8.3 Hydraulic system



Hydraulic system

No.	NEW Art. No.	Art. No.	Description	Qty
1	30901200002	10301	Charger	1
2		10302	Battery, 24V/210Ah	1
3	30909100010	10303	Box of battery	1
4	30909100009	10304	Plug (female)	1
5	30905100003	10305	Plug(male)	2
6	30906100001	10306	Battery indicator	1
7	30906200003	10307	Emergency button	1
8	5010408015 C0	10308	Key switch	1
9	30906600006	10309	Screw	4
10	30902200030	10310	Horn	1
11		10311	Controller	1
12		10312	Pump motor	1
13		10313	Pipe	1
14		10314	Joint	1
15		10315	Screw	1
16		10316	Screw	2
17		10317	Washer	2
18	422120046	10318	Tank	1
19	505040002	10319	Cover	1
20	505020043	10320	Spilt pin	4
21	503010052	10321	Pin with hole	2
22	D12070022	10322	Washer	4
23		10323	Linking frame	2
24	503020020	10324	Screw	8
25	503010056	10325	Elastic washer	8
26	30901200002	10326	Washer	8

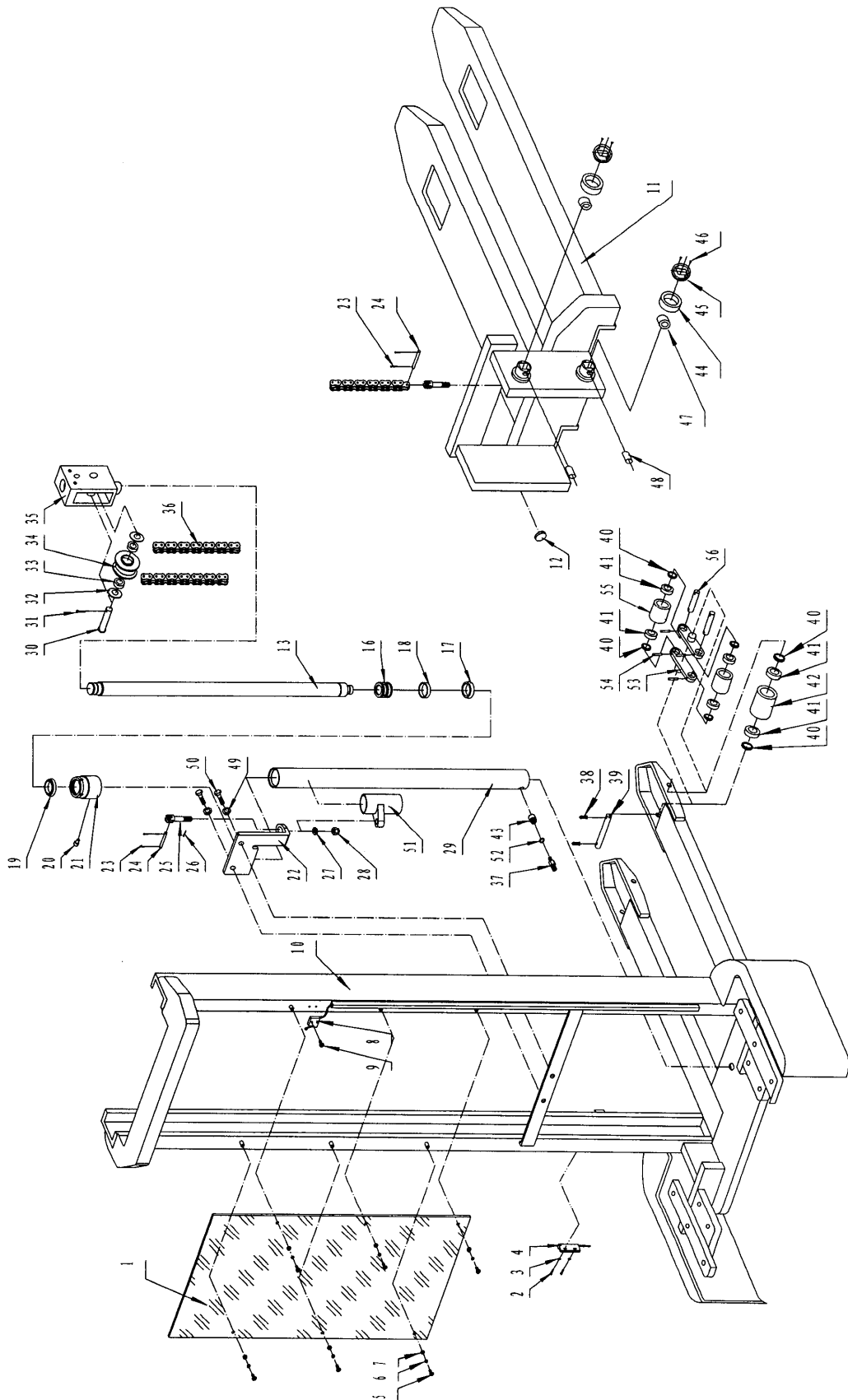
8.4 Foot Plate



Foot Plate

No.	NEW Art. No.	Art No.	Description	Qty.
1	D12030001	10401	Foot plate	1
2	5010216080A0	10402	Screw	2
3	302990036	10403	Spring	46
4	5010208020A0	10404	Bolt	1
5	506050022	10405	Bushing	2
6	502040017	10406	Locking nut	2
7	D14250001	10407	Linking plate	1
8	302990021	10408	Air spring	1
9	501990096	10409	Cover	3
10	422170024	10410	Axle	1
11	505020009	10411	Elastic pin	1
12	506030123	10412	Rubber pedal	1

8.5 CLB1216 Mast system

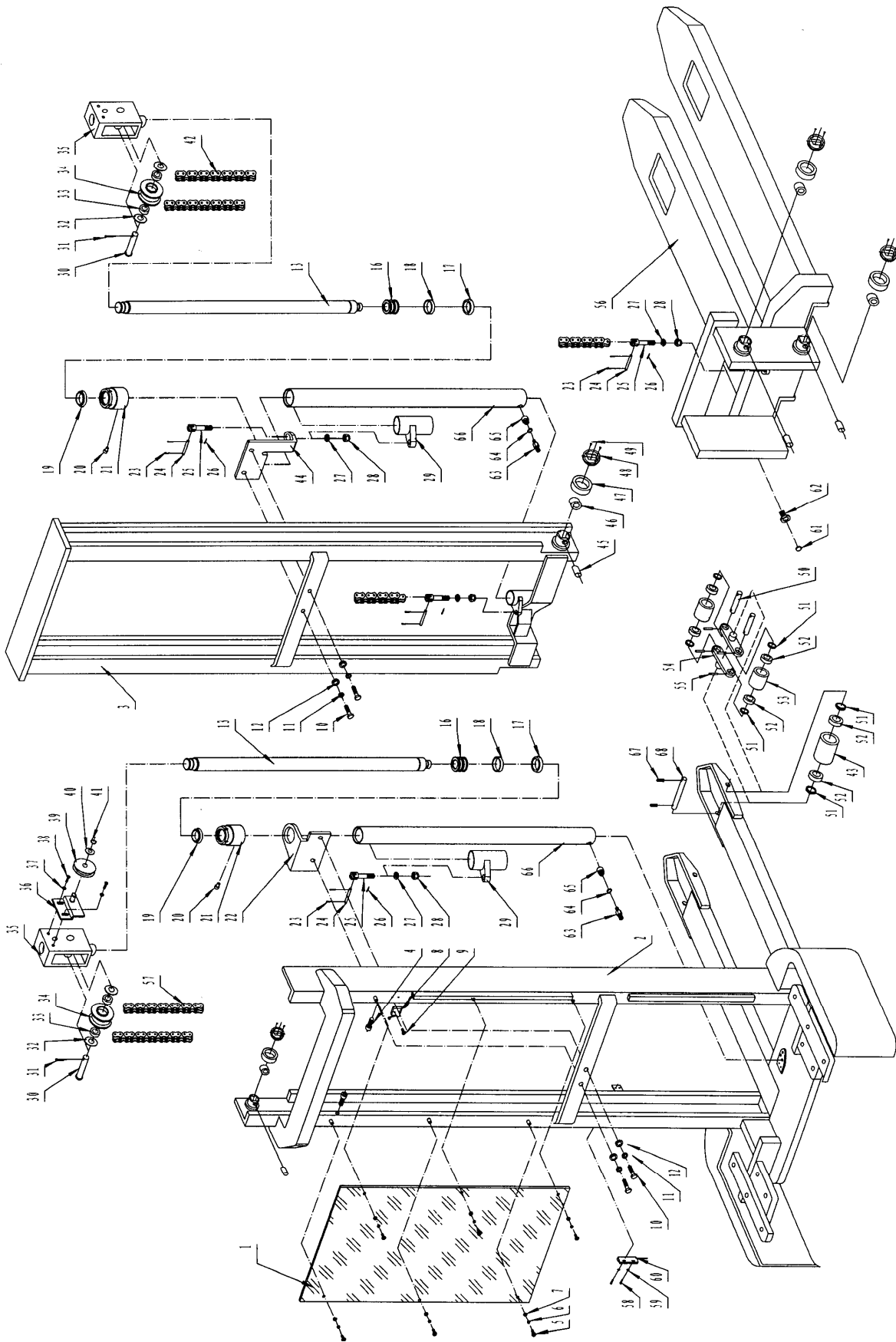


CLB1216 Mast system

No.	NEW Art. No.	Art No.	Description	Qty
1	422120269	10501	Safety board	1
2	5010503008 C0	10502	Screw	2
3	503010046	10503	Washer	2
4		10504	Magnetism switch	1
5	5010506016 C0	10505	Screw	6
6	503010058	10506	Flat washer	6
7	506030109	10507	Rubber washer	6
8	30906300052	10508	Micro switch	1
9	5010404025 C0	10509	Screw	2
10	D142401001	10510	Mast	1
11	D142404002	10511	Fork Carriage	1
12		10512	Alnico	1
13	G220202002	10513	Piston rod	1
14		10514		
15		10515		
16	G220201002	10516	Piston	1
17	G110203005	10517	Seal Washer	1
18	G220201003	10518	Holding ring	1
19	504080020	10519	Dust ring	1
20	G25020014	10520	Screw	1
21	G220201006	10521	Cover	1
22	422160031	10522	Frame	1
23	505040030	10523	Pin Φ 2x18	4
24	301799007	10524	Shaft Φ 8x40	2
25	422160020	10525	Chain rod	1
26	505040020	10526	Pin Φ 4x35	2
27	503010026	10527	Thin nut M16	1
28	502040017	10528	Nut M16	2
29	G220202004	10529	Cylinder	1
30		10530	Chain wheel shaft	1
31	505040021	10531	Pin Φ 4x40	1
32	351080065	10532	Washer	1
33	349010120	10533	Bearing 60205	1
34	422160007	10534	Chain wheel	1
35	D142403001	10535	Chain wheel frame	1
36		10536	Chain	1
37		10537	Joint	1
38	505020044	10538	Elastic pin Φ 4x50	4

39	G220402001	10539	Wheel shaft	2
40		10540	Washer	4
41	349010118	10541	Bearing 60204	4
42	G220402002	10542	Wheel	2
43	G110203006	10543	Valve	1
44		10544	Outside of main wheel	4
45		10545	Cover	4
46		10546	Screw M4x10	8
47		10547	Outside of side wheel	4
48		10548	Shaft	4
49	503020023	10549	Elastic washer 8	2
50	5010408016 C0	10550	Screw M8x16	2
51	D06100012	10551	Seat	1
52		10552	Seal washer	1
53	G220402004	10553	Linking plate (for tandem wheel)	4
54	505020051	10554	Elastic pin (for tandem wheel)	8
55	G220402005	10555	Wheel (for tandem wheel)	4
56	G220402003	10556	Axle for wheel(for tandem wheel)	4

8.6 CLB1229A Mast system



CLB1229A Mast system

No.	NEW Art. No.	Art. No.	Description	Qty
1	422120271	10601	Safety board	1
2	D142401003	10602	Mast	1
3	D142402002	10603	Inner mast	1
4	5010410016C0	10604	Screw	2
5	5010506016C0	10605	Screw	6
6	503010058	10606	Washer	6
7	506030109	10607	Rubber washer	6
8	30906300052	10608	Micro switch	1
9	5010404025C0	10609	Screw	2
10	5010408016C0	10610	Screw	4
11	503020023	10611	Spring washer	4
12	503010062	10612	Flat washer	4
13	G24020001	10613	Piston rod	2
14		10614		
15		10615		
16	G220201002	10616	Piston	2
17	G110203005	10617	Seal Washer	2
18	G220201003	10618	Holding ring	2
19	504080020	10619	Dust ring	2
20	G25020014	10620	Screw	2
21	G220201006	10621	Screw cover	2
22	422120180	10622	Hold plate	1
23	505040030	10623	Pin	8
24	301799007	10624	Pin	4
25	422160020	10625	Bolt for chain, short	4
26	505040020	10626	Pin	4
27	503010026	10627	Nut, thin	4
28	502040017	10628	Nut, thick	4
29	D142403001	10629	Seat	2
30		10630	Chain wheel axle	2
31	505040021	10631	Pin	2
32	351080065	10632	Washer	4
33	349010120	10633	Bearing	4
34	422160007	10634	Chain wheel	2
35	D142403001	10635	Chain wheel seat	2
36		10636	Seat for roller	1
37	503010062	10637	Washer	2
38		10638	Bolt	2

39	422160028	10639	Roller for pipe	1
40	503010028	10640	Washer	1
41	504030013	10641	Retaining ring	1
42	349030165	10642	Chain, for lifting fork	1
43	G220402002	10643	Wheel	2
44	422160031	10644	Hold plate	1
45		10645	axle of Side roller	8
46		10646	Circle of side roller	8
47		10647	Circle of main roller	8
48		10648	Cover	8
49		10649	Screw	16
50	G220402003	10650	Axle	4
51		10651	Washer	8
52	349010118	10652	Bearing	8
53	G220402005	10653	Wheel	4
54	G220402004	10654	Linking plate	4
55	505020051	10655	Elastic pin	8
56	D142404003	10656	Fork Carriage	1
57	349030166	10657	Chain	1
58		10658	Screw	2
59	503010046	10659	Washer	2
60		10660	Non-contact switch	1
61		10661	Alnico	1
62		10662	Alnico seat	1
63	G110202001	10663	Joint	2
64	503030008	10664	Seal ring	2
65	G110203006	10665	Valve	2
66	G24020004	10666	Cylinder	2
67	505020044	10667	Elastic pin	4
68	G220402001	10668	Axle	2