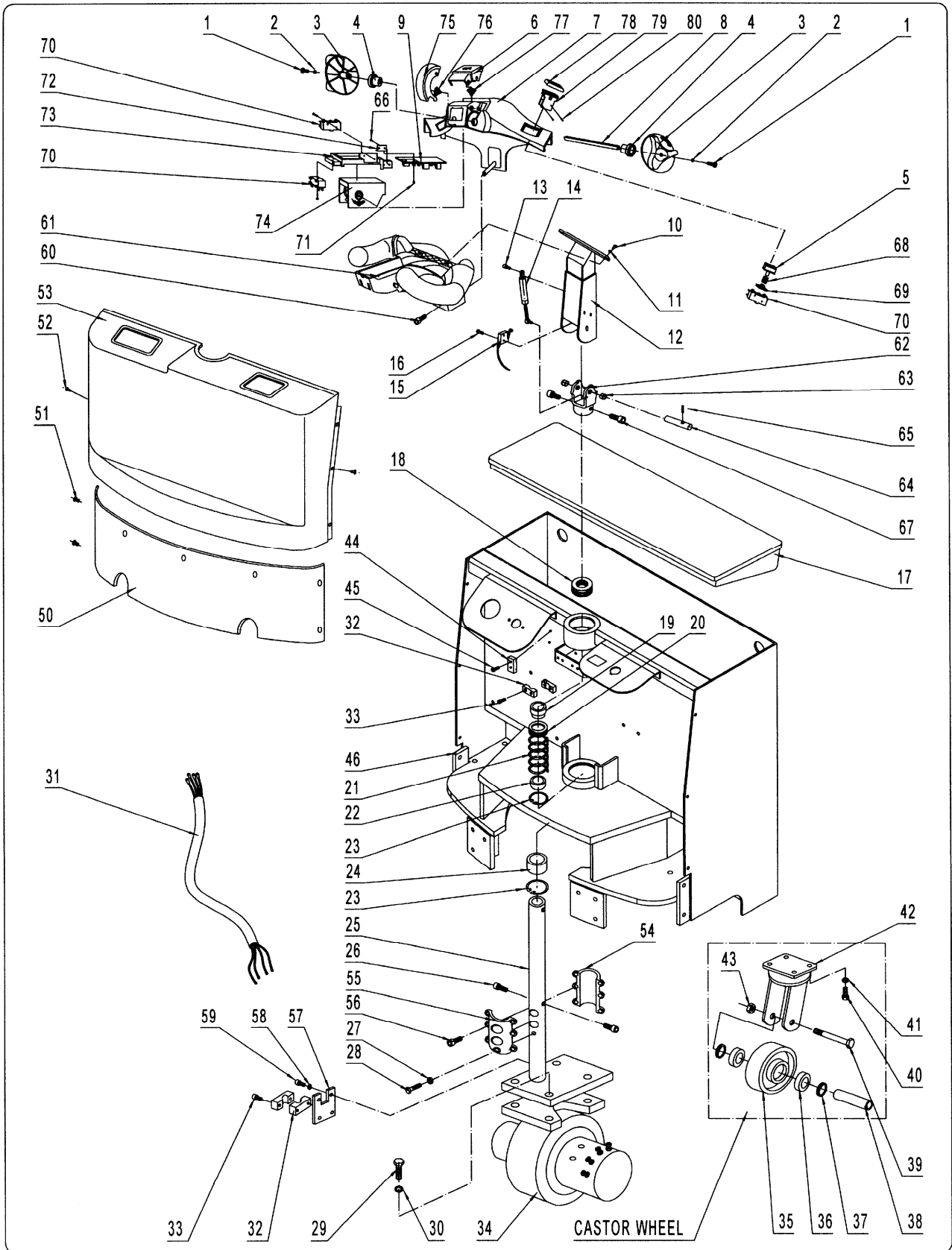


# 16 SPARE PARTS

## Electric compartment assembly

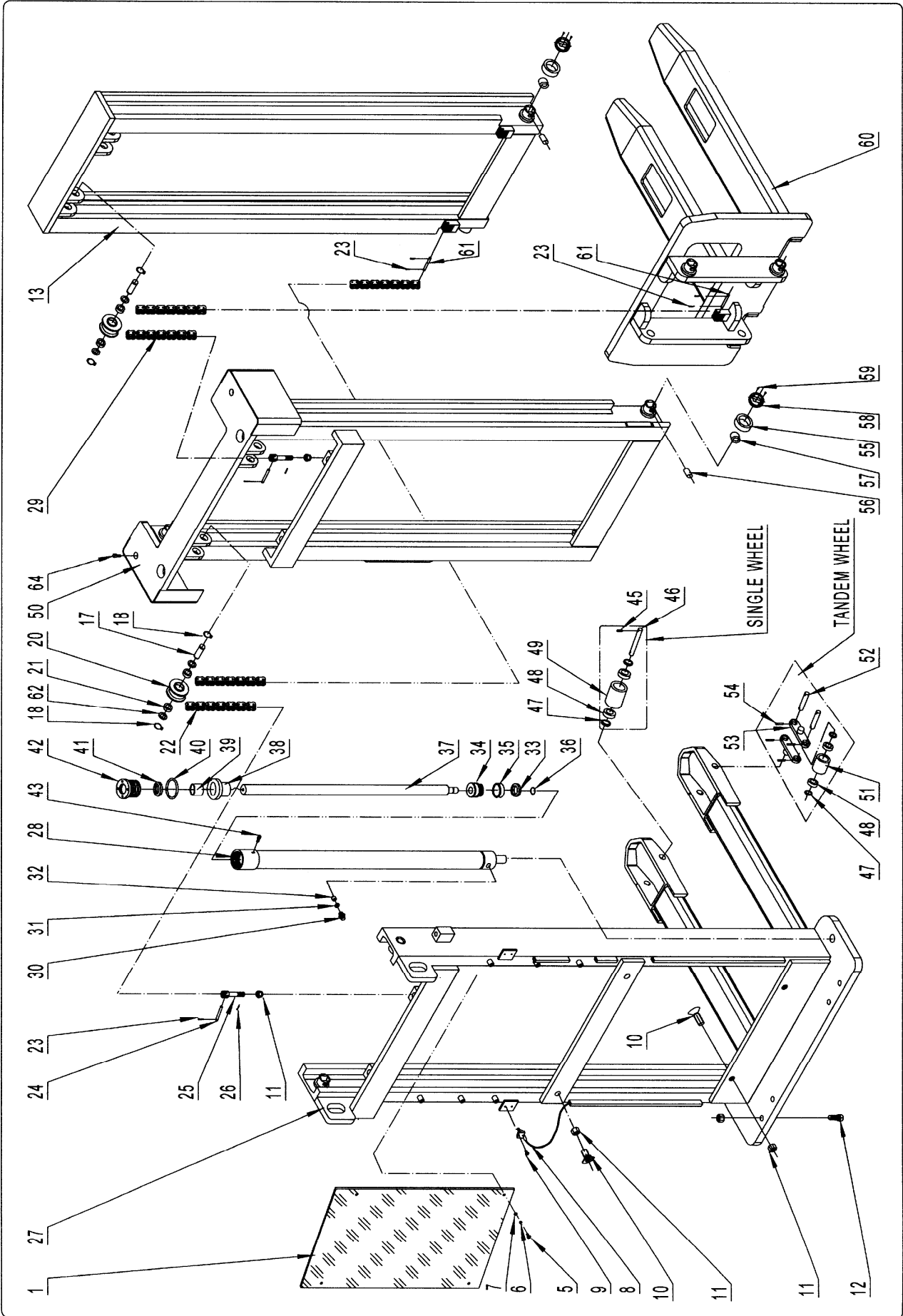


## ELECTRIC COMPARTMENT ASSEMBLY

No.	NEW Art. No.	Art. No.	Description	Qty.
1		10101	Screw	2
2		10102	Washer	2
3		10103	Hand wheel	2
4		10104	Axle sleeve	2
5		10105	Button	2
6		10106	Button for horn	1
7		10107	Cover	1
8		10108	Axle of handle	1
9		10109	Circuit board	1
10		10110	Screw	2
11		10111	Standard washer	2
12		10112	Handle arm	1
13		10113	Screw	1
14		10114	Air spring	1
15		10115	Micro switch	1
16		10116	Screw	2
17	D14280001	10117	Cover	1
18	506030021	10118	Dust cover	1
19	506050019	10119	Sleeve	1
20	349010159	10120	Bearing	1
21	302010202	10121	Spring	1
22	C049900780 1	10122	Sleeve of spring	1
23		10123	Retaining ring	2
24		10124	Oriented sleeve	1
25	351080092	10125	Axle with flange	1
26	5010410010 C0	10126	Screw	2
27	502030033	10127	Nut	1
28	5010410050 C0	10128	Bolt	1
29	5010101205 0	10129	Bolt	8
30	503020009	10130	Washer	8
31		10131	Cable	1
32		10132	Cable of clip	4
33		10133	Screw	8
34	G26040007	10134	Drive Motor	1
35	G220401001	10135	Steering wheel	2
36	349010118	10136	Bearing	4
37	422120099	10137	Washer	4
38	339120001	10138	Axle for wheel	2
39	5010101410	10139	Bolt	2

	0			
40		10140	Screw	8
41		10141	Elastic washer	8
42		10142	Frame of steering wheel	2
43	502040016	10143	Nut	2
44		10144	Cable of clip	2
45		10145	Screw	4
46	D14280002	10146	Box body	1
47				
48				
49				
50	D14280003	10150N	Fixing plate	1
51	422420042	10151	Screw	4
52	5010606015 C1	10152	Screw	6
53	D14280009	10153	Cover	1
54	D06080089	10154	Hood, reinforce-B	1
55	D06080088	10155	Hood, reinforce-A	1
56	5010410025 C0	10156	Screw	6
57		10157	Fixing plate	1
58		10158	Elastic washer	2
59		10159	Screw	2
60		10160	Screw	4
61		10161	Handle body	1
62	D01180001	10162	Joint of handle	1
63	339010038	10163	Bushing	2
64	301703006	10164	Shaft	1
65	505020005	10165	Elastic pin	1
66		10166	Screw	2
67	5010410016 C0	10167	Screw	2
68		10168	Spring	2
69		10169	Spring seat	2
70		10170	Micro switch	4
71		10171	Screw	2
72		10172	Linking plate	1
73		10173	Splint	1
74		10174	Timing	1
75		10175	Button for emergency switch	1
76		10176	Spring	1
77		10177	Spring	1
78		10178	Dust cover	2
79		10179	Frame of button	2
80		10180	Screw	4

# MAST SYSTEM

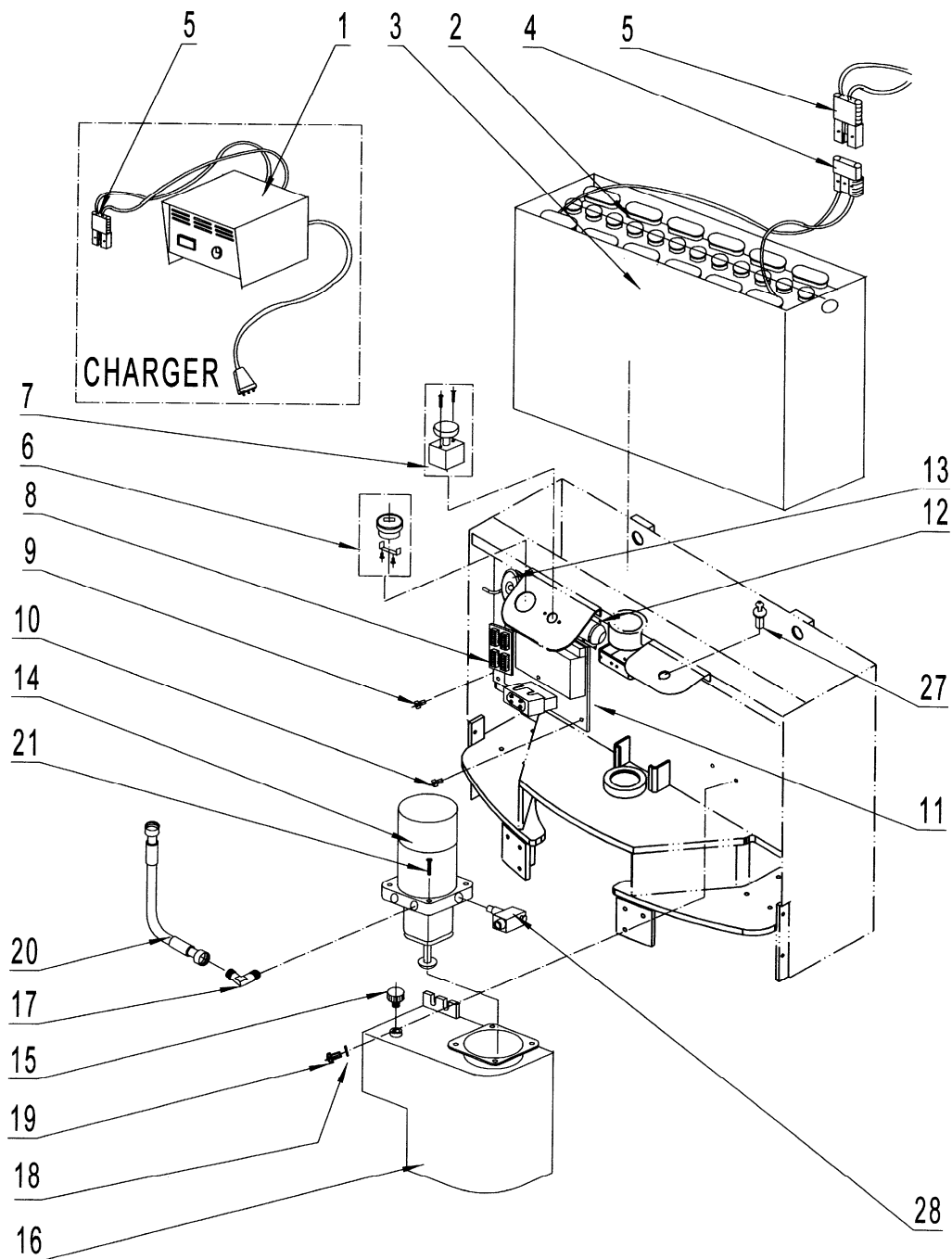


### MAST SYSTEM

No.	NEW Art. No.	Art. No.	Description	Qty.
1	D14280010	10201	Safety board	1
2				
3				
4				
5	5010506020C0	10205	Screw	6
6	503010058	10206	Flat washer	6
7	506030109	10207	Rubber washer	6
8		10208	Micro switch	2
9		10209	Screw	4
10	5010316041C0	10210	Screw	4
11	502040017	10211	Nut	9
12	5010216060A0	10212	Bolt	4
13	D14280007	10213	Inner mast	1
14				
15				
16				
17	301799024	10217	Shaft for chain roller	4
18	504030020	10218	Retaining ring	8
19				
20		10220	Chain roller	4
21	349010121	10221	Bearing	8
22	349030143	10222	Chain	2
23	505040026	10223	Pin	16
24	505010007	10224	Shaft	4
25	422100023	10225	Bolt	4
26	505040010	10226	Pin	4
27	D14280005	10227	Mast	1
28	G280202005	10228	Cylinder	2
29	349030080	10229	Chain	2
30	422020073	10230	Joint	2
31	503030008	10231	Seal washer	2
32		10232	Lowering valve	2
33		10233	Seal ring	2
34	G280202010	10234	Piston	2
35		10235	Washer	2
36		10236	Retaining ring	2
37	G280202007	10237	Piston rod	2
38		10238	Oriented sleeve	2
39		10239	Sleeve	2
40		10240	O ring	2
41	G280202001	10241	Dust ring	2
42	G280202002	10242	Cover of screw	2
43	G280202006	10243	Air screw	2

44				
45		10245	Elastic pin (for single wheel)	2
46		10246	Axle for wheel (for single wheel)	2
47	503010039	10247	Washer	4/8
48	349010118	10248	Bearing	4/8
49		10249	Wheel (for single wheel)	2
50	D14280006	10250	Middle mast	1
51	G220402005	10251	Wheel (for tandem wheel)	4
52	G220402003	10252	Axle for wheel (for tandem wheel)	4
53	G220402004	10253	Linking plate (for tandem wheel)	4
54	505020051	10254	Elastic pin (for tandem wheel)	12
55		10255	Roller	12
56		10256	Shaft	12
57		10257	Roller	12
58		10258	Cover	12
59		10259	Screw	24
60	D14280008	10260	Fork Carriage	1
61	505010007	10261	Pin	4
62	351060018	10262	Washer	8
63				
64		10264	Screw	2

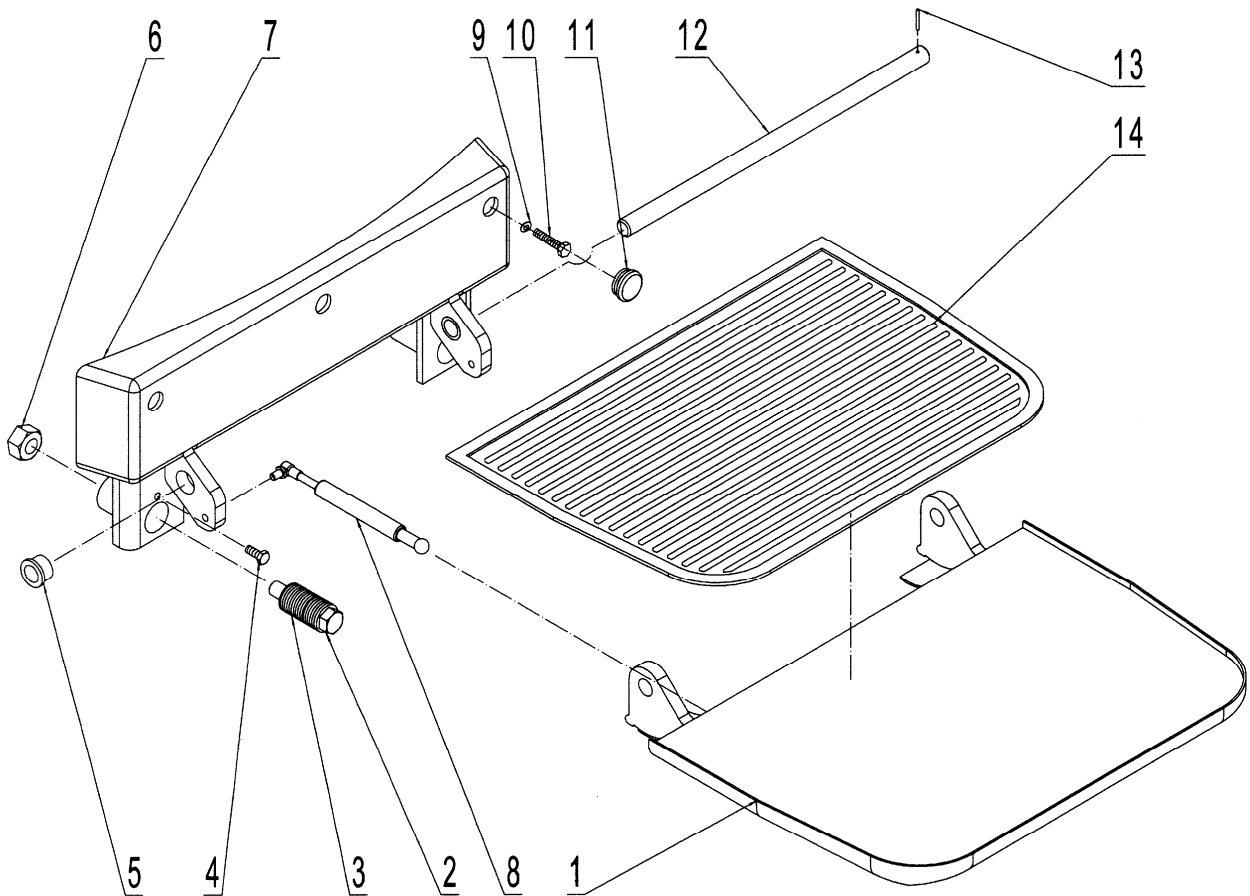
## HYDRAULIC SYSTEM



No.	NEW Art. No.	Art. No.	Description	Qty.
1		10301	Charger	1
2		10302	Battery, 24V/210Ah	1
3		10303	Box of battery	1
4		10304	Plug (female)	1
5		10305	Plug(male)	2
6		10306	Battery indicator	1
7		10307	Emergency button	1
8		10308	Plug plate	1
9		10309	Screw	2
10		10310	Screw	4
11		10311	Controller	1
12		10312	Relay	1

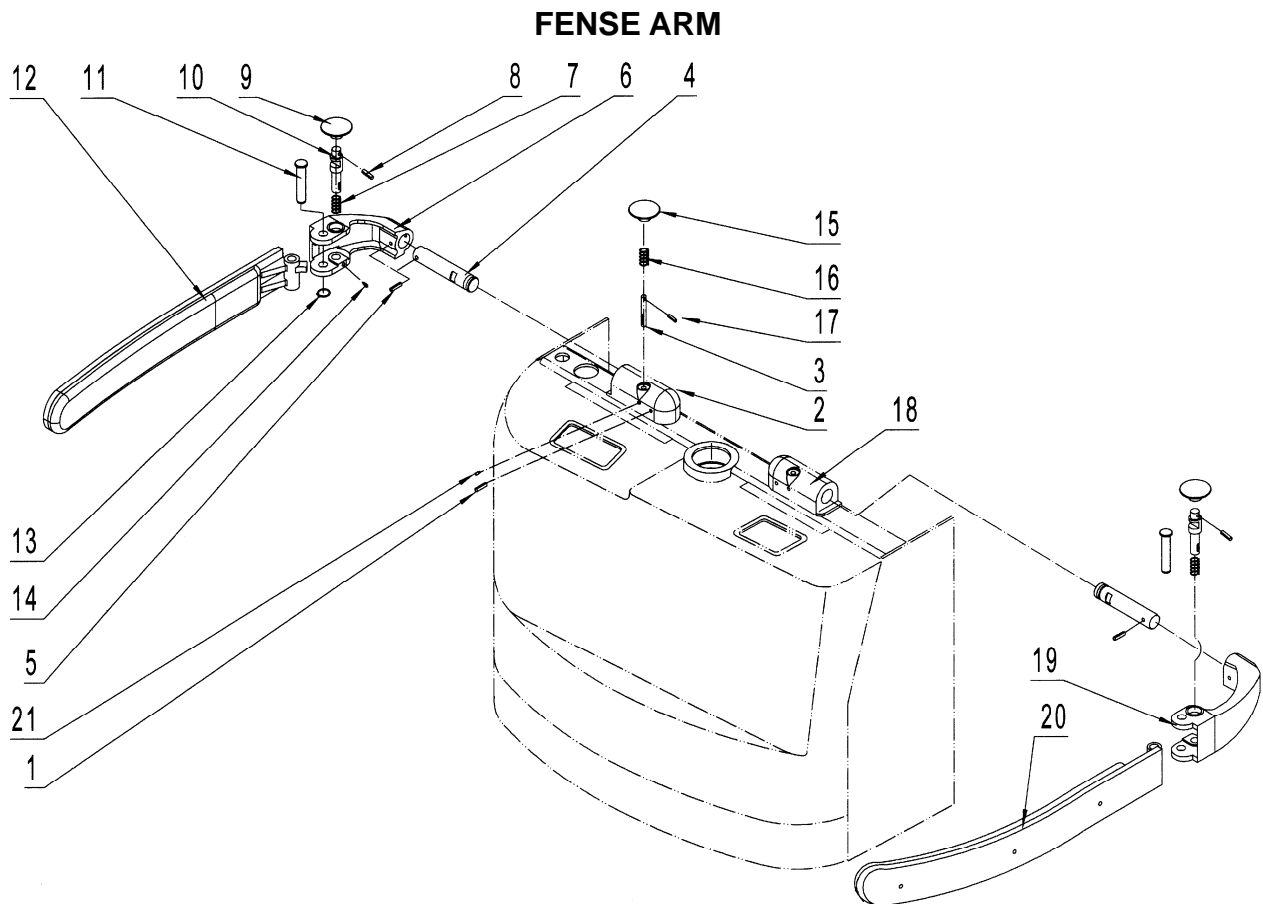
13		10313	Horn	1
14		10314	Pump motor	1
15		10315	Screw	1
16		10316	Tank	1
17		10317	Joint	1
18		10318	Washer	2
19		10319	Screw	2
20		10320	Pipe	1
21		10321	Screw	4
27		10327	Key switch	1
28		10328	Electromagnetic valve	1

### Foot plate assembly



No.	NEW Art. No.	Art. No.	Description	Qty.
1	D12030001	10401N	Foot plate	1
2	5010216080A0	10402N	Screw	2
3	302990036	10403N	Spring	2
4	5010208020A0	10404N	Bolt	1
5	506050022	10405N	Bushing	2
6	502040030	10406N	Locking nut	2
7	D14250001	10407N	Linking plate	1
8	302990021	10408N	Air spring	1
9		10409N	Washer	3
10		10410N	Bolt	3
11	501990096	10411N	Cover	3
12	422170024	10412N	Axle	1
13	505020009	10413N	Elastic pin	1
14	506030123	10414N	Rubber pedal	1

***NOTE: This pedal is a additional part, it may not be fixed to your pallet truck, if you need it, you should extra order it.***



No.	NEW Art. No.	Art. No.	Description	Qty.
1	505020061	10501	Elastic pin	2
2	422420110	10502	Axle base, left	1
3	301703002	10503	Axle	2
4	301703008	10504	Axle	2
5	505020095	10505	Elastic pin	2
6	422420108	10506	Joint seat, left	1
7	302010130	10507	Spring	2
8	505020047	10508	Elastic pin	2
9	422120058	10509	Hand wheel	2
10	301703001	10510	Locking axle	2
11	301703005	10511	Pin	2
12	422420106	10512	Protective arm, left	1
13		10513	Elastic ring	2
14		10514	Locking screw	2
15	422120056	10515	Hand wheel	2
16	302010118	10516	Spring	2
17	505020074	10517	Elastic pin	2
18	422420111	10518	Axle base, right	1
19	422420109	10519	Joint seat, right	1
20	422420107	10520	Protective arm, right	1
21	5011106008C0	10521	Screw	2

**NOTE: This arm is a additional part, it may not be fixed to your pallet truck, if you need it, you should extra order it.**